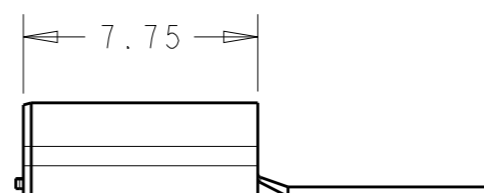
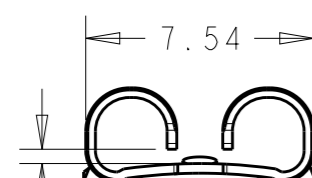
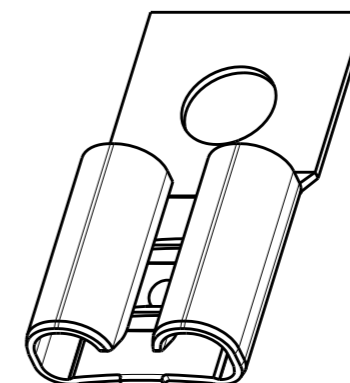
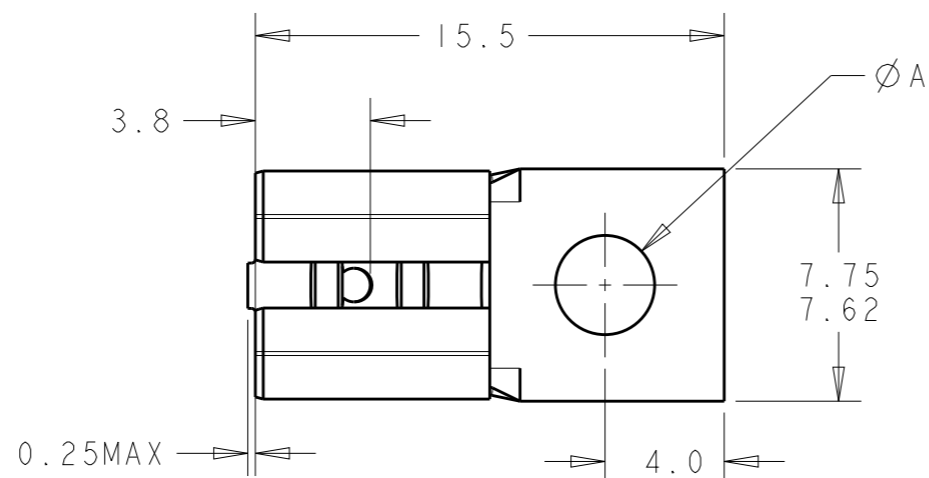
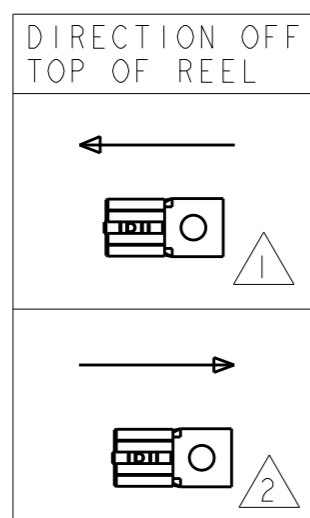


P	LTR	DESCRIPTION	DATE	DWN	APVD
	F2	REVISED PER ECR-19-008681	14OCT2019	PC	DL



OBSOLETE	2	2.41/2.49	PRE TIN	BRASS	<del>1-151939-4</del>
OBSOLETE	2	2.41/2.49	NONE	BRASS	<del>1-151939-3</del>
OBSOLETE	2	3.28	NONE	BRASS	<del>1-151939-1</del>
	2	3.18	NONE	BRASS	1-151939-0
OBSOLETE	1	2.41/2.49	PRE TIN	BRASS	<del>151939-4</del>
	1	2.41/2.49	NONE	BRASS	151939-3
	1	3.28	ELECTRO TIN	BRASS	151939-2
	1	3.28	NONE	BRASS	151939-1
	1	3.18	NONE	BRASS	151939
REELING		ØA DIM	FINISH	MATERIAL	PART NO

TO FIT  
0.8 TAB



THIS DRAWING IS A CONTROLLED DOCUMENT.

DIMENSIONS: mm	TOLERANCES UNLESS OTHERWISE SPECIFIED: 0 PLC ±0.4 1 PLC ±0.4 2 PLC ±0.4 3 PLC ±0.4 4 PLC ±0.4 ANGLES ±0.5	DWN M. GREENER 04MAR2009 CHK J. AMBROSE 04MAR2009 APVD J. AMBROSE 04MAR2009		
MATERIAL See Table material_2	FINISH - finish_spec_2	PRODUCT SPEC -	NAME FASTON TAB ADAPTOR	
		APPLICATION SPEC -	SIZE A3	CAGE CODE 00779
		WEIGHT -	DRAWING NO C-151939	RESTRICTED TO -
		CUSTOMER DRAWING	SCALE 4:1	SHEET 1 OF 1
				REV F2