



Connectors > Connector Accessories > Connector Strain Relief > Crimp Flange for Size 1-3STD/1-4QL Shell



Strain Relief Accessory Type: **Crimp Flange**

Shielded: **Yes**

Thread Size: **None**

Operating Temperature Range: **-40 – 90 °C [ -40 – 194 °F ]**

[All Crimp Flange for Size 1-3STD/1-4QL Shell \(14\)](#)

## Features

### Product Type Features

|                              |              |
|------------------------------|--------------|
| Strain Relief Accessory Type | Crimp Flange |
|------------------------------|--------------|

### Mechanical Attachment

|             |      |
|-------------|------|
| Thread Size | None |
|-------------|------|

### Usage Conditions

|                             |                           |
|-----------------------------|---------------------------|
| Operating Temperature Range | -40 – 90 °C[-40 – 194 °F] |
|-----------------------------|---------------------------|

### Operation/Application

|          |     |
|----------|-----|
| Shielded | Yes |
|----------|-----|

## Product Compliance

[For compliance documentation, visit the product page on TE.com>](#)

|   |                                      |
|---|--------------------------------------|
| EU RoHS Directive 2011/65/EU                  | Compliant with Exemptions            |
| EU ELV Directive 2000/53/EC                   | Not Yet Reviewed                     |
| China RoHS 2 Directive MIIT Order No 32, 2016 | Restricted Materials Above Threshold |
| EU REACH Regulation (EC) No. 1907/2006        |                                      |



Current ECHA Candidate List: JUNE 2023  
(235)

Candidate List Declared Against: JUNE  
2023 (235)

SVHC > Threshold:

Pb (3.5% in Component Part)

**Article Safe Usage Statements:**

Do not eat, drink or smoke when using this product. Wash thoroughly after handling. Recycle if possible and dispose of the article by following all applicable governmental regulations relevant to your geographic location.

Halogen Content

Low Halogen - Br, Cl, F, I < 900 ppm per homogenous material. Also BFR/CFR/PVC Free

Solder Process Capability

Not reviewed for solder process capability

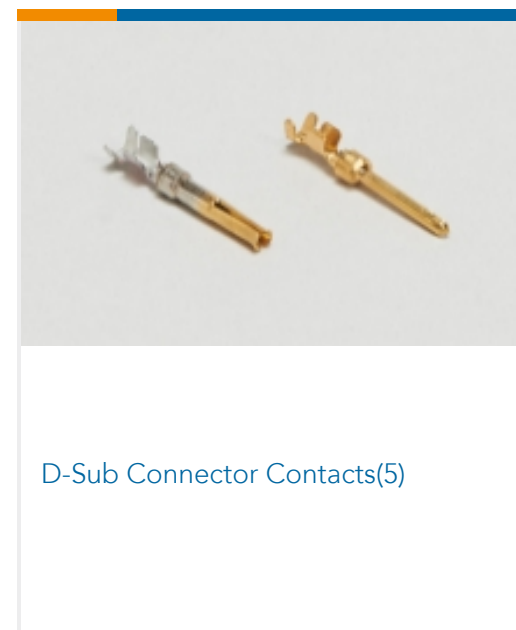
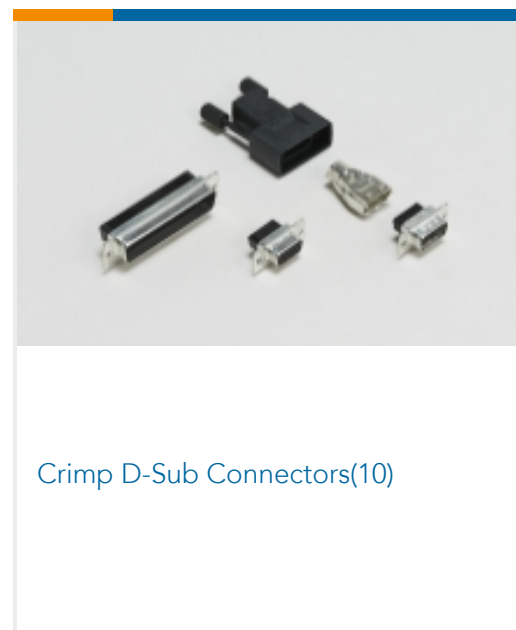
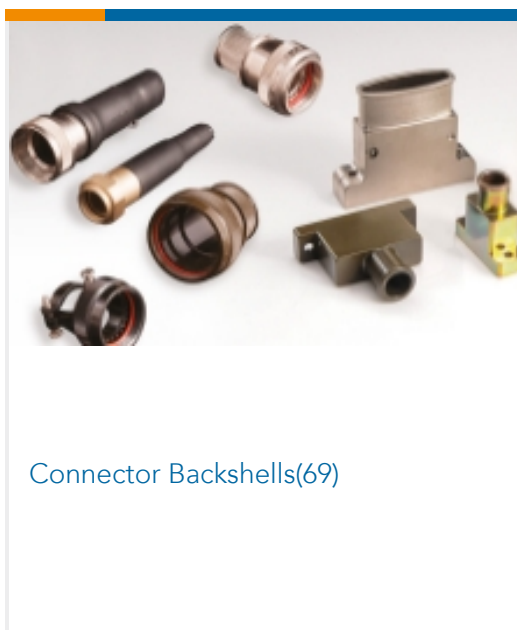
**Product Compliance Disclaimer**

This information is provided based on reasonable inquiry of our suppliers and represents our current actual knowledge based on the information they provided. This information is subject to change. The part numbers that TE has identified as EU RoHS compliant have a maximum concentration of 0.1% by weight in homogenous materials for lead, hexavalent chromium, mercury, PBB, PBDE, DBP, BBP, DEHP, DIBP, and 0.01% for cadmium, or qualify for an exemption to these limits as defined in the Annexes of Directive 2011/65/EU (RoHS2). Finished electrical and electronic equipment products will be CE marked as required by Directive 2011/65/EU. Components may not be CE marked. Additionally, the part numbers that TE has identified as EU ELV compliant have a maximum concentration of 0.1% by weight in homogenous materials for lead, hexavalent chromium, and mercury, and 0.01% for cadmium, or qualify for an exemption to these limits as defined in the Annexes of Directive 2000/53/EC (ELV). Regarding the REACH Regulation, the information TE provides on SVHC in articles for this part number is based on the latest European Chemicals Agency (ECHA) 'Guidance on requirements for substances in articles' posted at this URL: <https://echa.europa.eu/guidance-documents/guidance-on-reach>

## Compatible Parts



## Also in the Series | Rail D-Sub Backshells





Insertion & Extraction Tools(2)

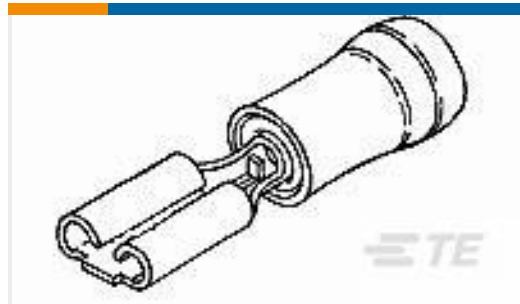


Rectangular Connector Hardware(19)

## Customers Also Bought



TE Part #167294-1  
25P HDP20 PLUG ASSY



TE Part #165565-1  
2,8 PIDG FASTON REC



TE Part #166052-1  
TD 20 F CRIMP SOCKET WIRE SIZE



TE Part #66100-9  
III+ SKT,18-16,30AU/FL,STRIP



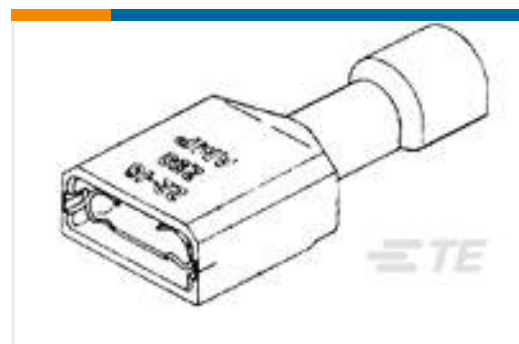
TE Part #T4111012041-000  
M12 M, 4P GOLD A\_CODE S SHIELDED PG9



TE Part #165034  
PIDG RING 12-10 1/4



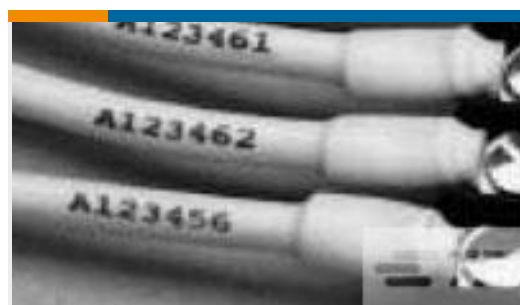
TE Part #1-66098-9  
II+ PIN, 18-16,TIN STRIP



TE Part #2-520275-2  
ULTRAFast 187 ASSY REC 22-18 TPBR LP



TE Part #166294-1  
20DF CRIMP PIN



TE Part #5053132039  
RNF-100-1/4-9-STK

## Documents

### Product Drawings

[CRIMP FLANGE 3 SMALL](#)

English

### CAD Files

[3D PDF](#)

3D

[Customer View Model](#)

[ENG\\_CVM\\_CVM\\_1-2308349-3\\_A.2d\\_dxf.zip](#)



English

Customer View Model

[ENG\\_CVM\\_CVM\\_1-2308349-3\\_A.3d\\_igs.zip](#)

English

Customer View Model

[ENG\\_CVM\\_CVM\\_1-2308349-3\\_A.3d\\_stp.zip](#)

English

By downloading the CAD file I accept and agree to the [Terms and Conditions](#) of use.

## Datasheets & Catalog Pages

[Rail D-Sub Backshells Flyer](#)

English