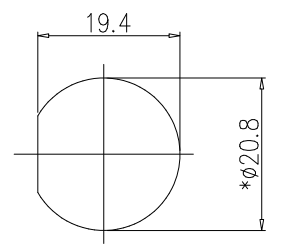
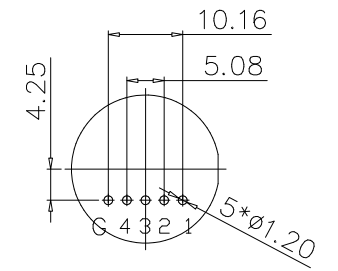


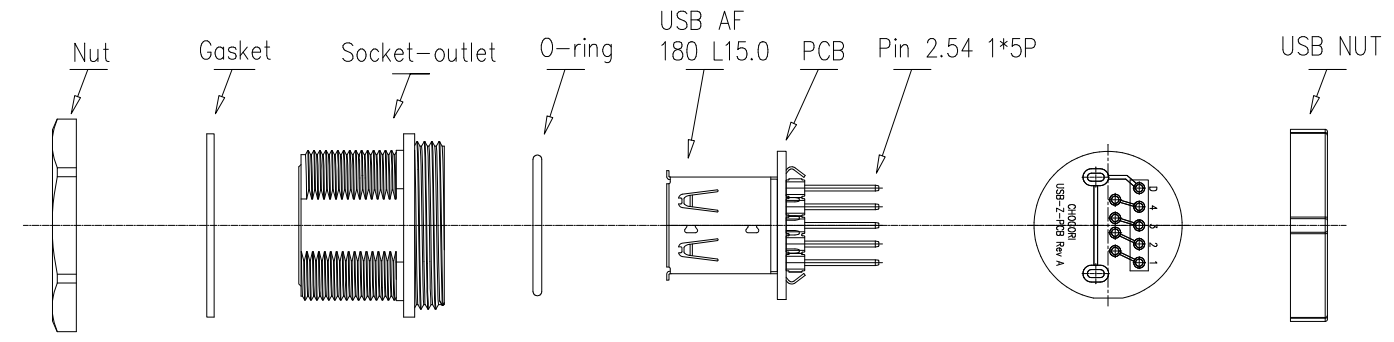
REV.	ECN NO.	DESCRIPTION	SIGN	DATE
C1	N/A	Initial Drawing	Xinkunfu	2019/08/13



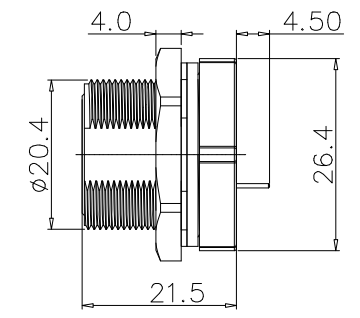
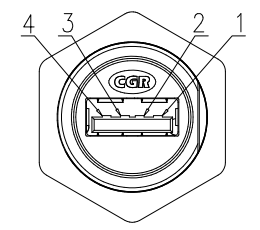
Panel Cut-Out



PCB Layout



Panel Thickness ≤ 4.0mm



- NOTE:
- 1.Contact Resistance: ≤ 30mΩ
 - 2.Breakdown Voltage: > 500V/1Minute
 - 3.Insulation Resistance: > 1000MΩ
 - 4.Temperature Rating: -45°C ~ +85°C
 - 5.Nut: Nylon+GF
 - 6.Gasket: Silicon
 - 7.Socket-outlet: Nylon+GF
 - 8.O-ring: Silicon
 - 9.PCB: FR-4
 - 10.NUT: Nylon+GF
 - 11.Waterproof Rate: IP67(Mated)
 - 12.RoHS Compliant

UNIT: mm	DESCRIPTION USB A Type Female Conn.(Screw Type) Panel Front Mount, PCB	
TOLERANCE .X ±0.25 .XX ±0.15 .XXX ±0.05 ANGLES ±1°	SCALE: 1:1	SHEET 1 OF 1
REV. C1	SIZE A4	* : Inspection Item

CHOGORI

PART NO 34000000-03	DRAWN BY Xinkunfu	DATE 2019/08/13
DWG NO	CHECKED BY Allen	DATE 2019/08/13
CUSTOMER	APPROVED BY Panson	DATE 2019/08/13

THIS INFORMATION IS CONFIDENTIAL AND IS DISCLOSED TO YOU ON CONDITION THAT NO FURTHER DISCLOSURE IS MADE BY YOU TO OTHER THAN CHOGORI PERSONNEL WITHOUT AUTHORIZATION FROM CHOGORI CORP.