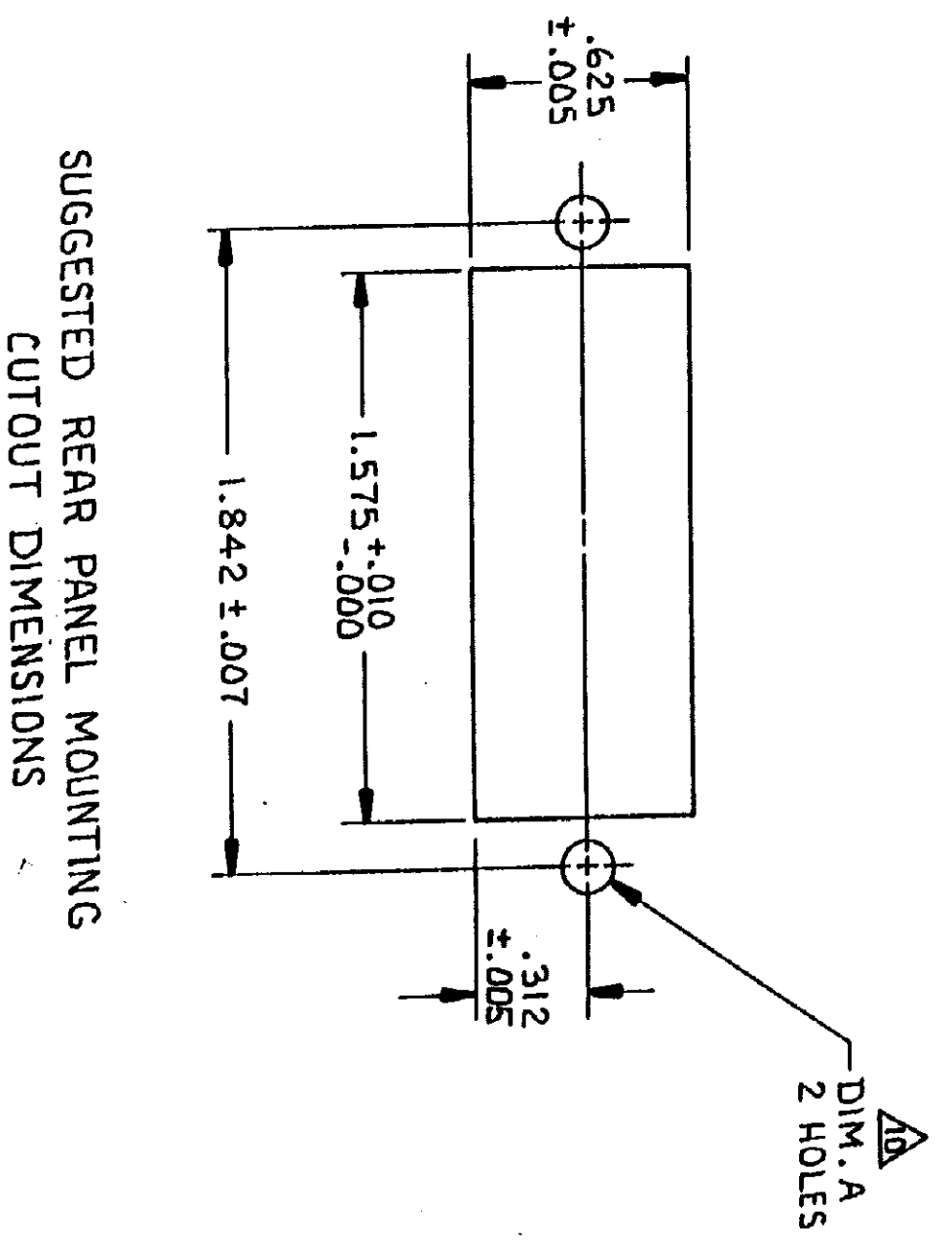
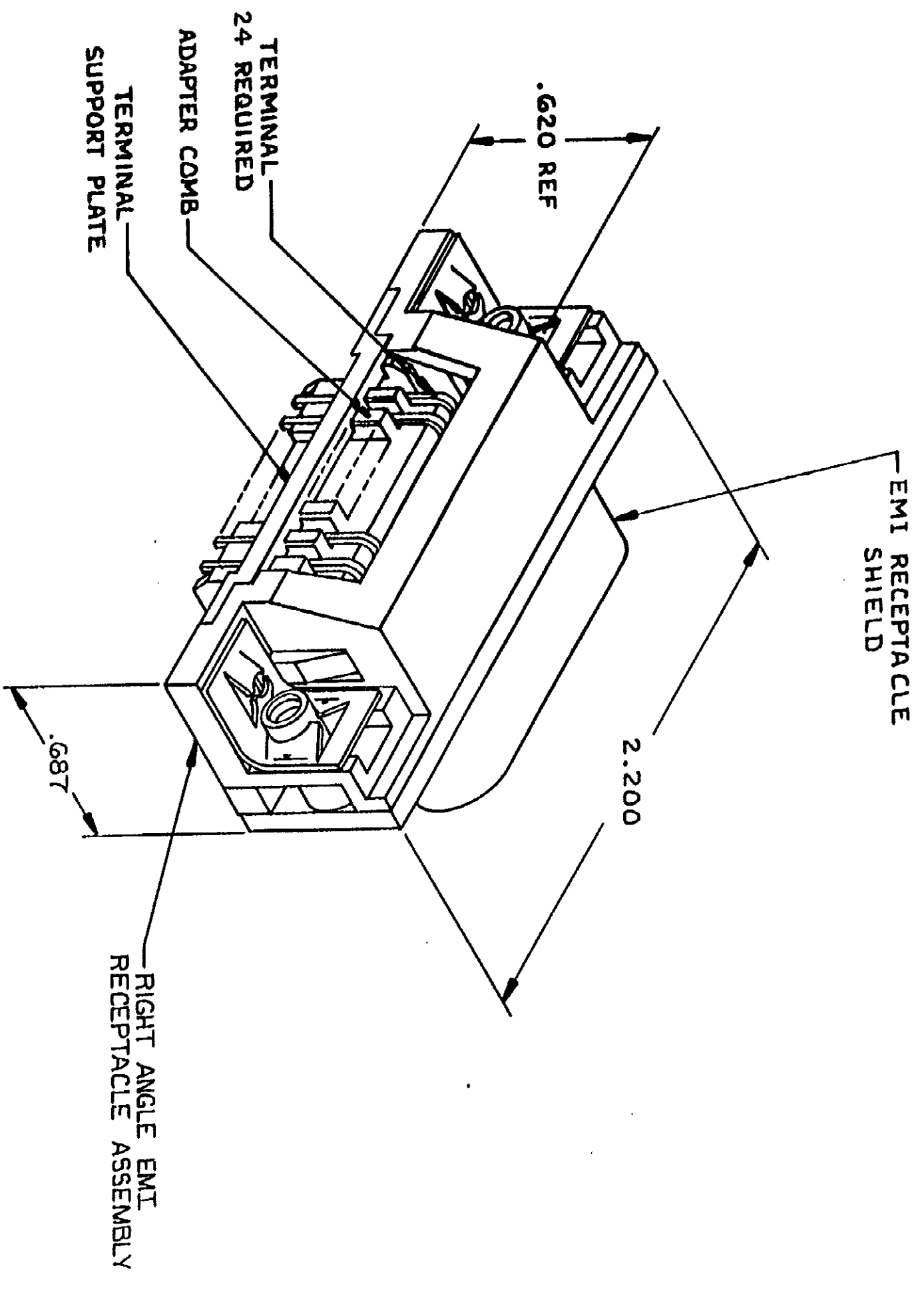


REAR PANEL MOUNTING DETAIL
 SHOWN FOR REFERENCE ONLY



SUGGESTED REAR PANEL MOUNTING
 CUTOUT DIMENSIONS

MATERIAL: HOUSING, BRACKET, ADAPTER COMB AND TERMINAL SUPPORT PLATE - THERMOPLASTIC (BLACK). EMI SHIELD - BRIGHT NICKEL OVER COPPER PLATED DIE CASTING. TERMINALS-TAILS-TIN LEAD OVER NICKEL PLATED HIGH STRENGTH COPPER ALLOY. MATING SURFACE-LOCALIZED GOLD OVER NICKEL PLATED HIGH STRENGTH COPPER ALLOY.

- THE CONTACT SURFACES OF THE TERMINALS ARE COATED WITH LUBRICANT.
- CENTER-TO-CENTER SPACING OF TERMINALS IS .085.
- ALL DIMENSIONS SHOWN ARE FOR REFERENCE ONLY UNLESS OTHERWISE SPECIFIED.
- DETAILS A & B ARE VIEWED FROM MATING SIDE OF RECEPTACLE ASSEMBLY.
- TERMINAL 1 LOCATED IN THIS ROW FOR STANDARD ORIENTATION.
- TERMINAL 1 LOCATED IN THIS ROW FOR REVERSE ORIENTATION.
- SCREWS SHOWN FOR REFERENCE ONLY. RECOMMENDED HARDWARE KIT, 55427Z-1, FOR USE WITH PART NUMBER 553811-3 & 4. HARDWARE KIT IS SHOWN FOR REFERENCE ONLY.
- EMI SHIELD IS ASSEMBLED TO CONNECTOR BEFORE SHIPMENT.
- FOR IEEE APPLICATION DIM. A SHALL BE .192 ± .003.
- PANEL THICKNESS RANGE: .062 MAX.
- STAINLESS STEEL SCREWS RECOMMENDED, BECAUSE OF CONTACT WITH SOLDER BATH.
- HOLES TO BE TAPPED AFTER PLATING.

APPLICATION	DIM. B	DIM. A	UNC-28	UNC-28	UNC-28	UNC-28	UNC-28	UNC-28	UNC-28
STANDARD	.157	.126 ± .003	UNC-28	UNC-28	UNC-28	UNC-28	UNC-28	UNC-28	UNC-28
IEEE-488	.157	.152 ± .003	UNC-28	UNC-28	UNC-28	UNC-28	UNC-28	UNC-28	UNC-28

CONTRACT NO.	DRAWING NO.	SCALE
7-26-82	553811-4	2:1
MD 84-82	553811-3	
MD 84-82	553811-2	
MD 84-82	553811-1	

UNLESS OTHERWISE SPECIFIED, DIMENSIONS ARE IN INCHES. TOLERANCES ± ANGLES ±

FINISH

SCALE 2:1