

Materials and Finish

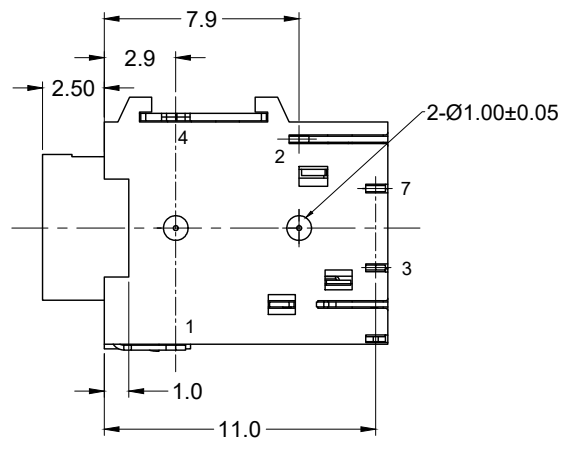
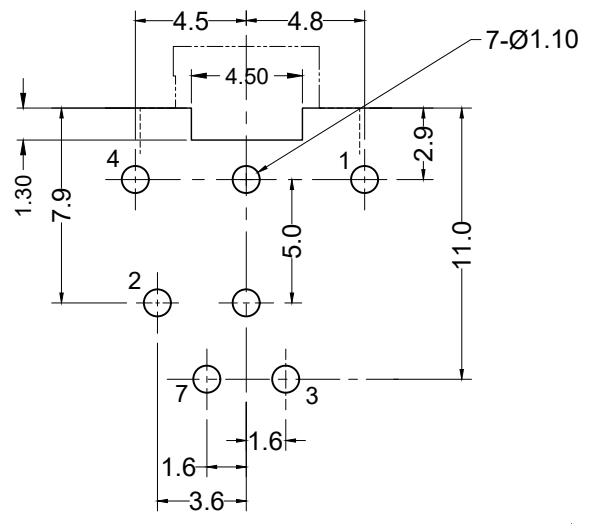
Housing: High Temp Thermoplastic
 Color: Black
 Contact Material:
 Pin #2, 3, 4, 7 :
 Copper Alloy, Tin Plated
 Pin #1: Copper Alloy, Gold Flash

Electrical Characteristics

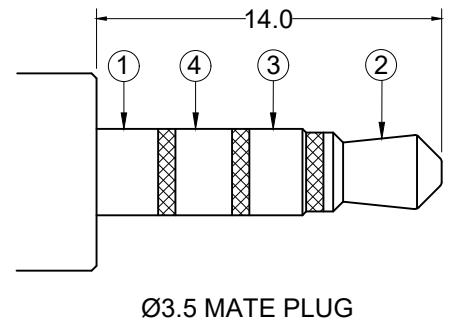
Insulation Resistance:
 100 Megohms at 500V DC
 Contact Resistance:
 50 milliohms Max.
 Dielectric Withstanding Voltage:
 500V AC RMS for 1 Minute

Mechanical Characteristics

Insertion Force: 0.4kgf - 3.0kgf
 Withdrawal Force: 0.4kgf - 3.0kgf
 Durability: 5000 Mating Cycles Min.
 Operating Temperature:
 -25°C to +85°C



Recommended PCB Layout
(Top View)



SCHEMATIC		
	MODEL NO. STX-35061-3T	MODEL NO. STX-35061-4T

Tolerances
X.X ± 0.35
X.XX ± 0.25
Unless Stated
Otherwise

RoHS COMPLIANT



REV.	DATE	DESCRIPTION	REV. BY	CHK. BY	DRAWN BY	DATE
A0	11/30/2016	New Drawing	G. Serrato	W. Cook	G. Serrato	11/30/2016
A1	04/05/2017	Release Drawing	J. Elbanna	C. Kelleher		
A2	02/08/2018	Update Drawing	J. Elbanna	C. Kelleher		
B1	05/03/2019	ECO #19-041	H. MA	D. Shehan		

STX-35061-xT

3.5 mm Audio Jack, 4 Pole
 Through Hole, RoHS Compliant

