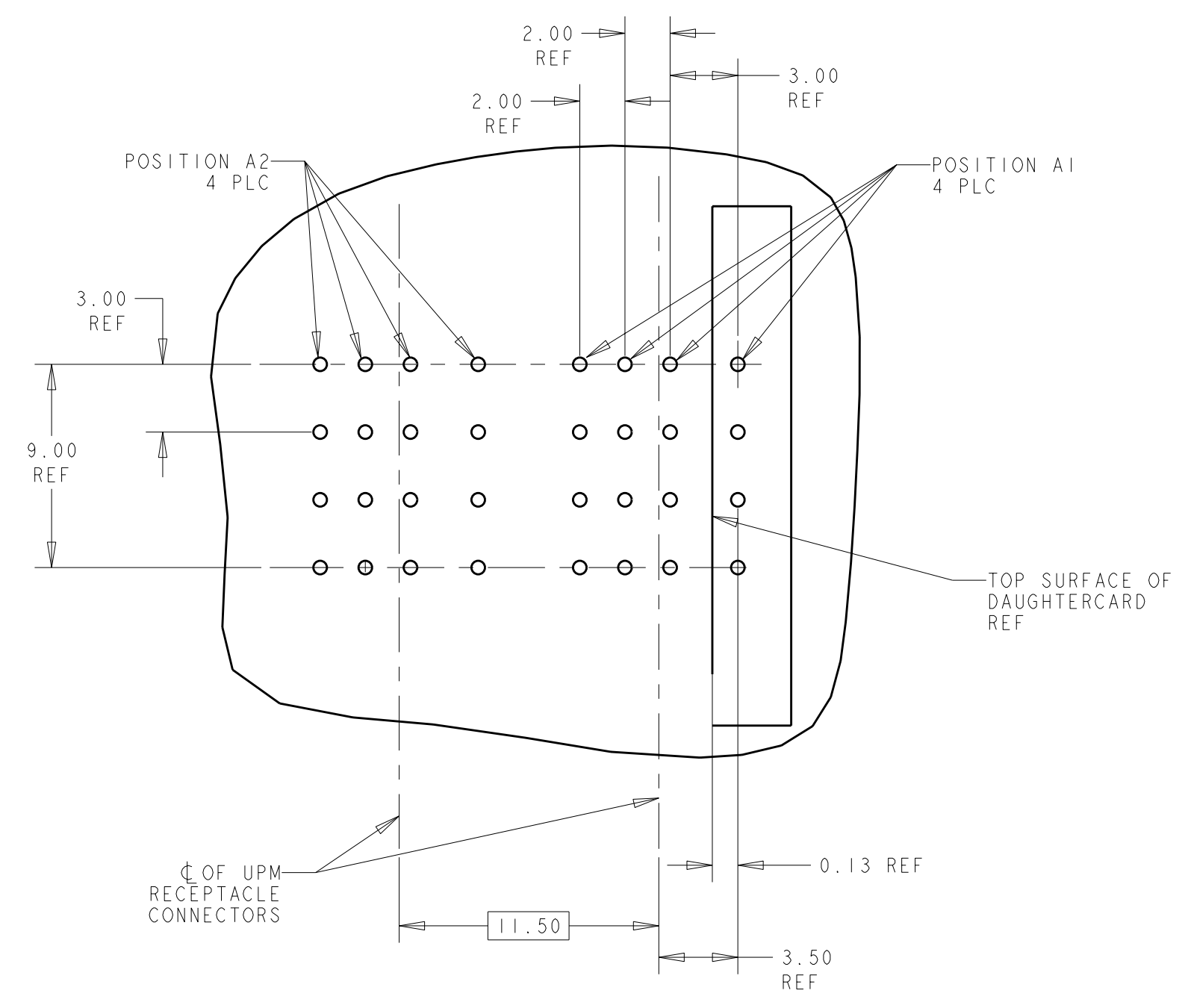
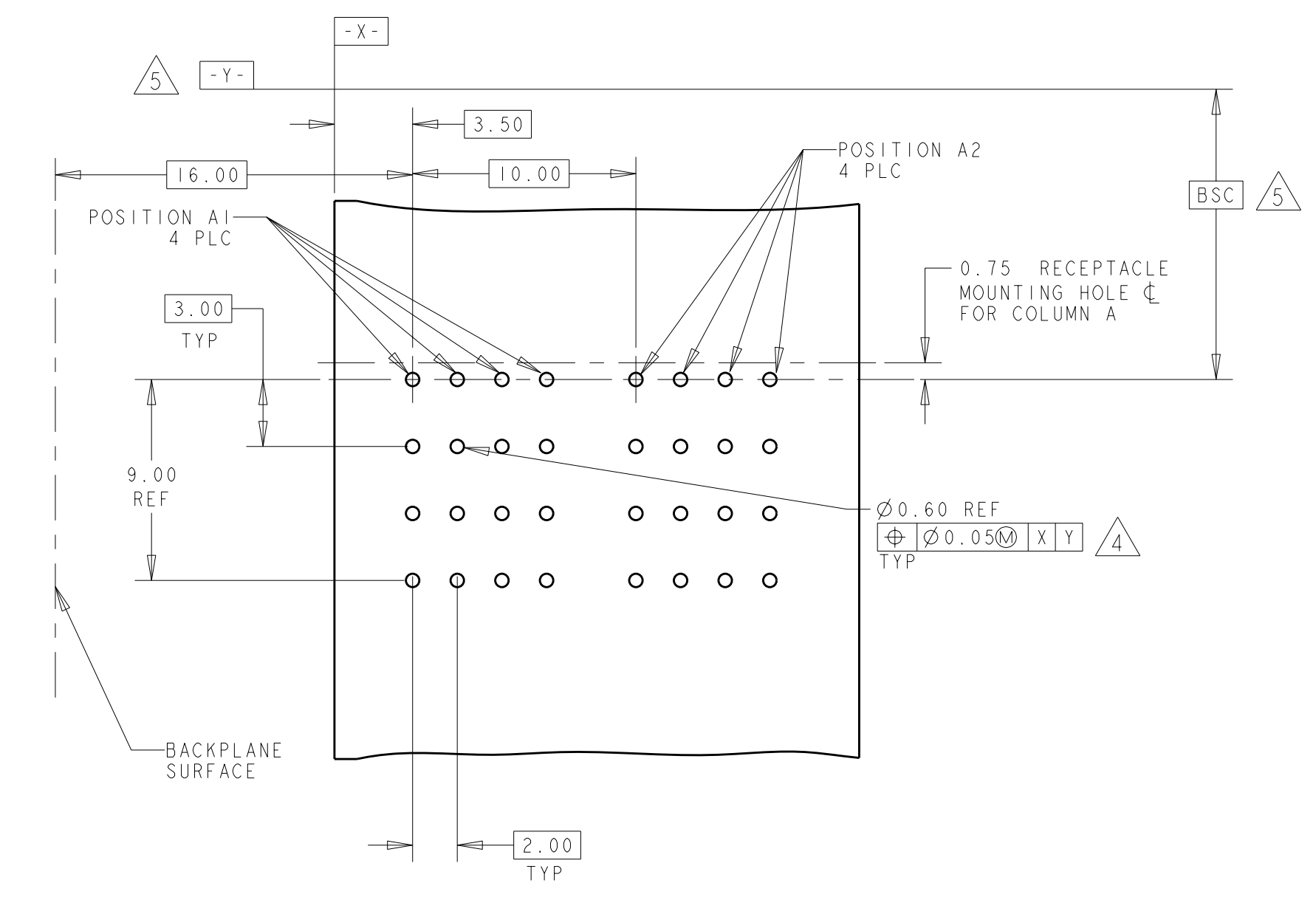
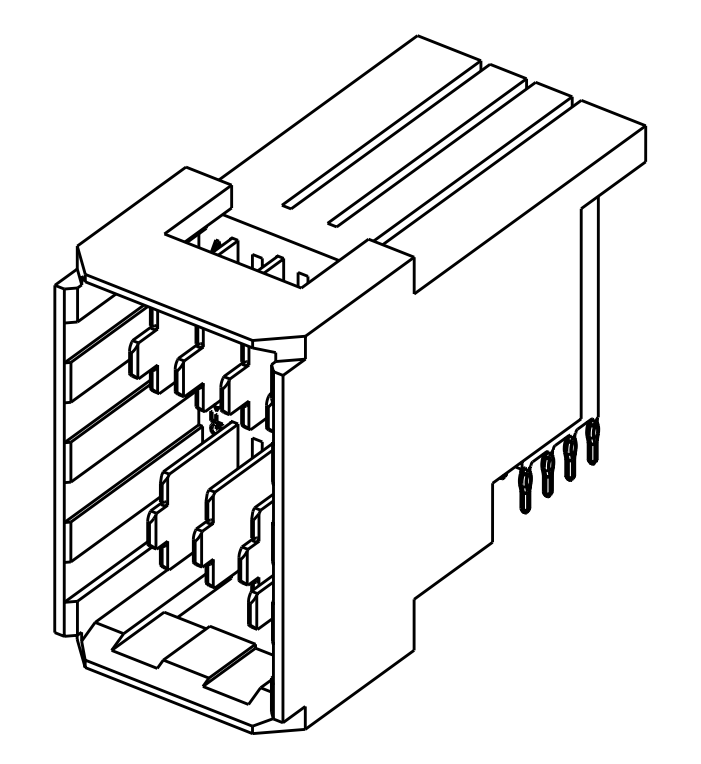
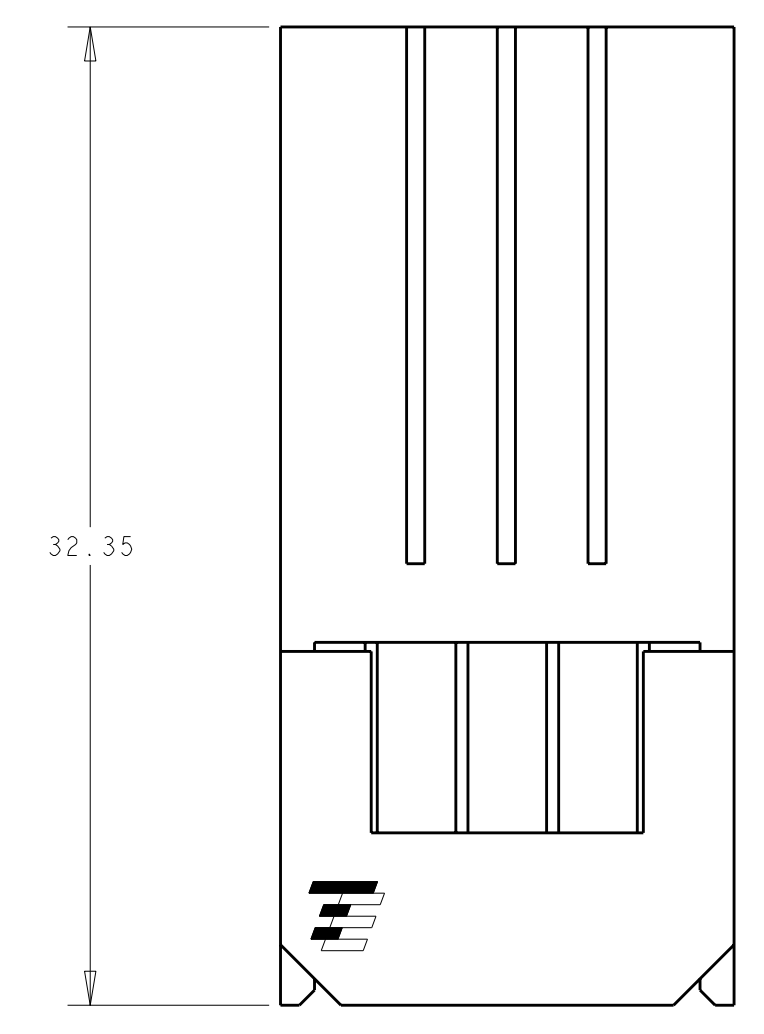


LOC	DIST	REV	DATE	BY	APPD
GP	00	A	24 JUN 2009	RG	MS

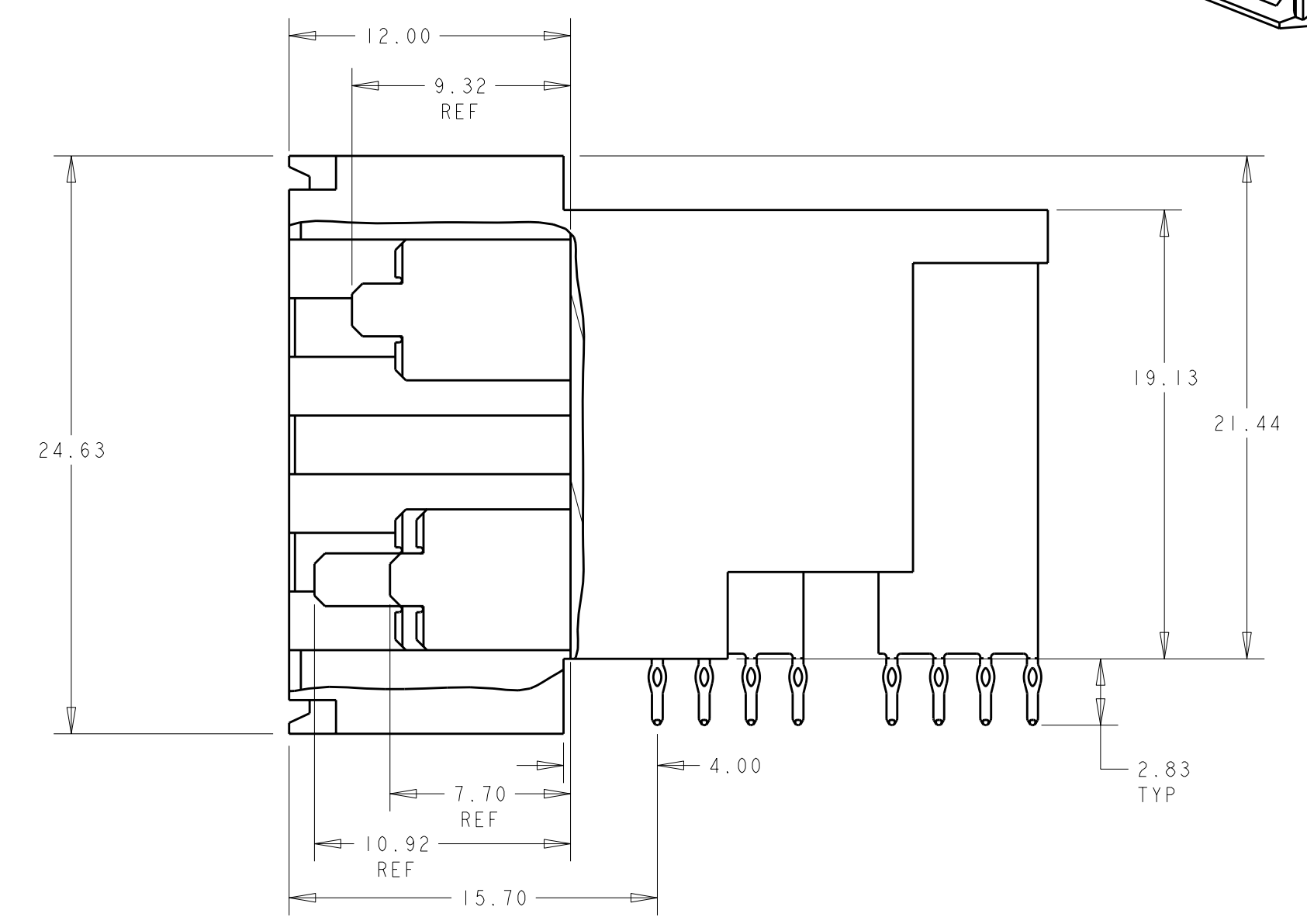
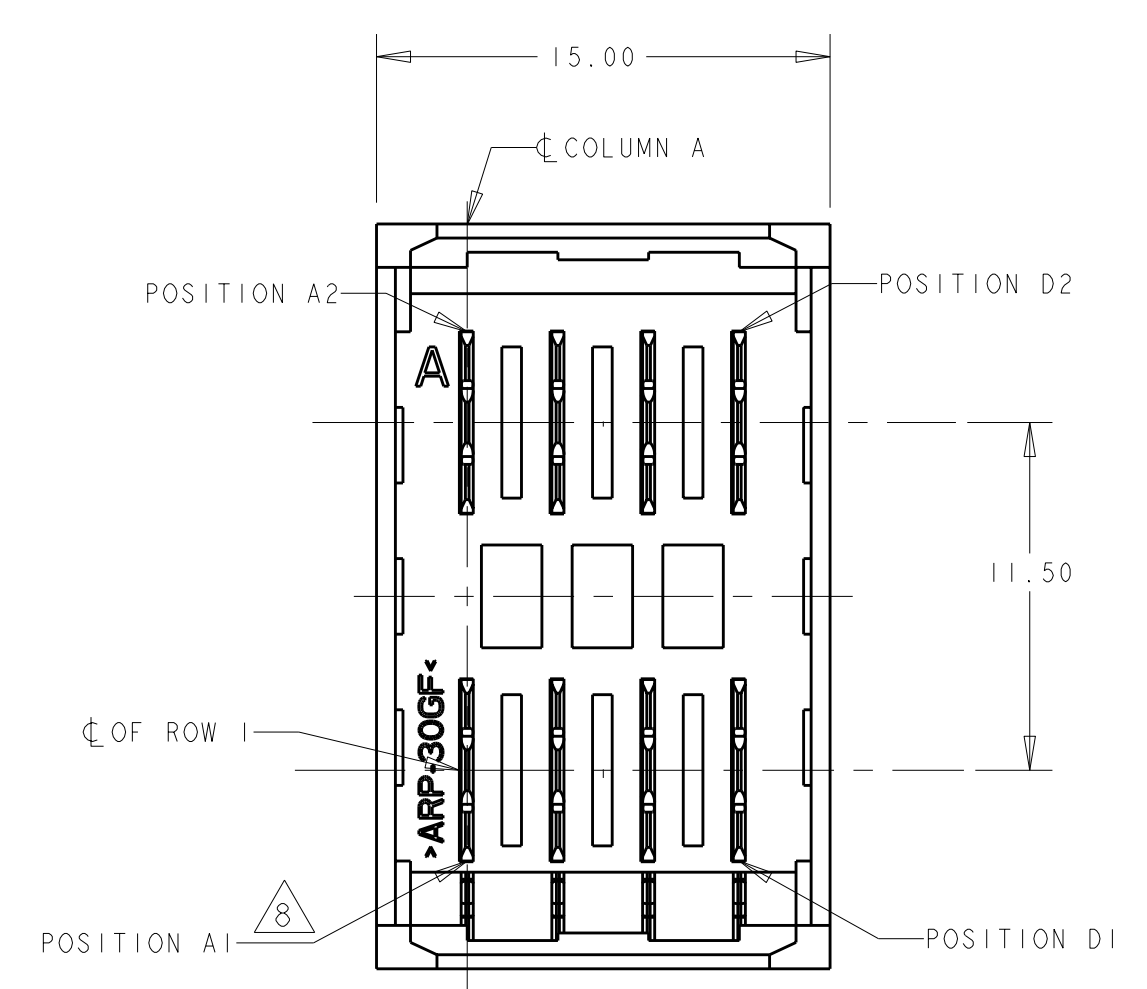
- 1 MATERIAL: HOUSING: POLYESTER. COLOR: BLACK, UL 94 V-0  
CONTACT: COPPER ALLOY.
- 2 FINISH: CONTACT MATING AREA: 0.00076 mm MIN GOLD PLATE OVER 0.00127 mm MIN NICKEL, OR 0.0005 mm MIN GOLD OVER 0.00064 mm PALLADIUM-NICKEL OVER 0.00127 mm MIN NICKEL.  
COMPLIANT TAIL AREA: 0.0005 mm MIN MATTE TIN PLATE OVER 0.00127 mm NICKEL UNDERPLATE.
- 3 TAILS OF MATING UPM STYLE RECEPTACLE ARE OFFSET BY .75 mm FROM TAILS OF THIS CONNECTOR. SEE CUSTOMER DRAWING 120992 FOR RECEPTACLE EXAMPLE. SEE APPLICATION SPEC 114-1103 FOR MORE DETAILED DESCRIPTION OF THE TAIL OFFSETS.
- 4 PC BOARD HOLE SPECIFICATIONS:  
DRILLED HOLE SIZE: 0.700±0.02 mm  
FINISHED HOLE SIZE: 0.60±0.05 mm  
PLATING THICKNESS:  
0.025 - 0.050 mm COPPER  
0.004 - 0.010 mm HASL TIN/LEAD  
0.0005 mm MIN IMMERSION TIN  
0.0002 - 0.0005 mm OSP  
0.0001mm MIN IMMERSION SILVER  
0.0001-0.0005 mm IMMERSION GOLD OVER 0.004-0.005 mm NICKEL
- 5 DATUM AND BASIC DIMENSIONS ESTABLISHED BY CUSTOMER.
- 6 MINIMUM REQUIRED PC BOARD THICKNESS IS 1.4mm.
- 7 CONTACT AREA LUBRICATED WITH BELLCORE APPROVED LUBRICANT. TECHNICAL REFERENCE GR-1217-CORE, ISSUE 1 NOVEMBER 1995.
- 8 POSITION A1 IS AT MATERIAL ID.



MATING RECEPTACLE PCB LAYOUT 3



RECOMMENDED PCB LAYOUT 6



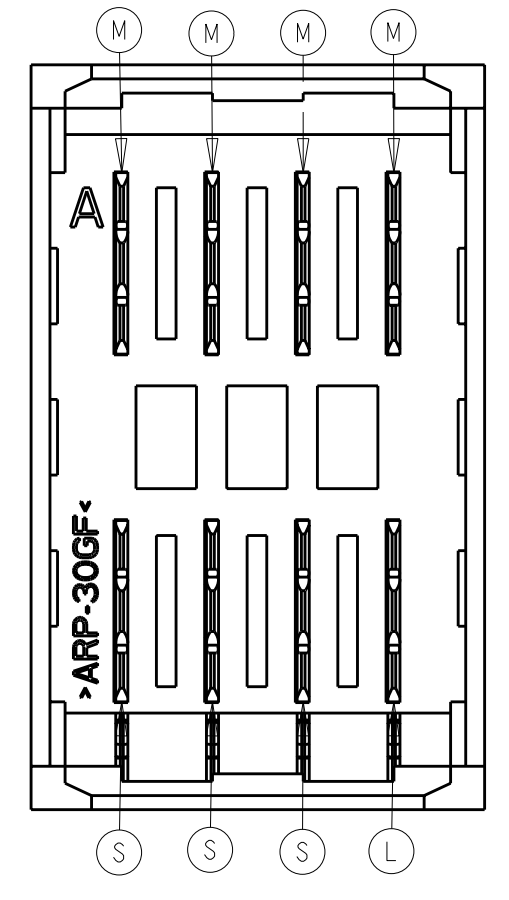
D1	A2, B2, C2, D2	A1, B1, C1	2085199-3
POSITIONS LOADED WITH LONG 10.92 REF CONTACTS	POSITIONS LOADED WITH MIDDLE 9.32 REF CONTACTS	POSITIONS LOADED WITH SHORT 7.70 REF CONTACTS	PART NO

DIMENSIONS: mm 9 PLC ±.25 1 PLC ±.25 5 PLC ±.25 4 PLC ±. ANGLES ±1°	TOLERANCES UNLESS OTHERWISE SPECIFIED: FINISH 2	DWN R. GRZYBOWSKI 31MAR2009 CHK R. LONDON 31MAR2009 APVD M. PERCHERIE 31MAR2009 PRODUCT SPEC 108-2289 APPLICATION SPEC WEIGHT CUSTOMER DRAWING	Tyco Electronics Harrisburg, PA 17105-3608 NAME ASSEMBLY, RIGHT ANGLE HEADER MINIPAK HDE 2X4 POSITION SIZE CAGE CODE DRAWING NO RESTRICTED TO A100779C=2085199 SCALE 4:1 SHEET 1 OF 2 REV A
--	--	--	--

THIS DRAWING IS UNPUBLISHED. RELEASED FOR PUBLICATION 20  
 © COPYRIGHT 20 BY TYCO ELECTRONICS CORPORATION. ALL RIGHTS RESERVED.

LOC	DIST	REVISIONS					
GP	00	P	LTB	DESCRIPTION	DATE	DWN	APVD
		-		SEE SHEET 1	-	-	-

SEQUENCE LOADING PATTERNS VIEWED INTO MATING FACE OF CONNECTOR



<small>THIS DRAWING IS UNPUBLISHED. RELEASED FOR PUBLICATION 20. © COPYRIGHT 20 BY TYCO ELECTRONICS CORPORATION. ALL RIGHTS RESERVED.</small>		DWN R. GRZYBOWSKI 31MAR2009 CHK R. LONDON 31MAR2009 APVD M. PERCHERIE 31MAR2009	Tyco Electronics Harrisburg, PA 17105-3608
DIMENSIONS: mm 		TOLERANCES UNLESS OTHERWISE SPECIFIED: 0 PLC ±. 1 PLC ±.25 2 PLC ±.25 3 PLC ±. 4 PLC ±. ANGLES ±1°	NAME ASSEMBLY, RIGHT ANGLE HEADER MINIPAK HDE 2X4 POSITION SIZE CAGE CODE DRAWING NO RESTRICTED TO A 100779 C=2085199 -
MATERIAL: - FINISH: -		WEIGHT: - CUSTOMER DRAWING	SCALE 4:1 SHEET 2 OF 2 REV A