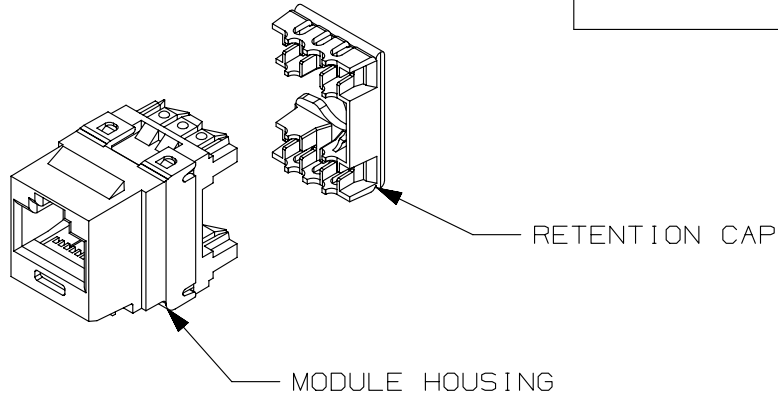


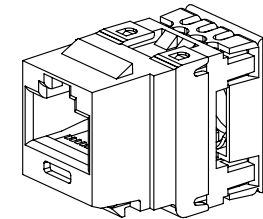
THIS COPY IS PROVIDED ON A RESTRICTED BASIS AND IS NOT TO BE USED IN ANY WAY DETRIMENTAL TO THE INTERESTS OF PANDUIT CORP.

PANDUIT PART#	DESCRIPTION	WEIGHT
NKP5E88M**	8 POSITION, 8 WIRE UNIVERSAL MODULE. MODULE IS COLOR CODED FOR T568A AND T568B WIRING SCHEMES.	1.495 LB/100 PCS (678g/100 PCS)

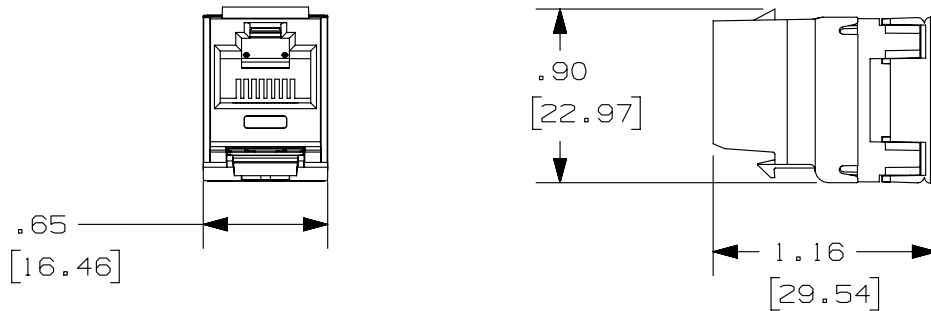


NOTES:

- SEE CURRENT CATALOG FOR ADDITIONAL PART NUMBER SUFFIXES TO INDICATE COLOR AND OR PACKAGE QUANTITY.
- MATERIAL:
MODULE - ABS/PC
RETENTION CAP - ABS
- ALL CATEGORY 5e, 8 POSITION, 8 WIRE CONNECTOR MODULES ARE UNIVERSAL IN DESIGN. THEY ACCEPT SIX AND EIGHT POSITION MODULAR PLUGS WITHOUT DAMAGE.
- DIMENSIONS IN PARENTHESES ARE IN METRIC.



ACTUAL SIZE



PART NUMBER		NKP5E88M**	
TITLE			
NETKEY CATEGORY 5E PUNCHDOWN JACK MODULE			
CUSTOMER DRAWING			
ITEM REVISION NAME		M02341CC/06	
DATASET FILE NAME		M02341CC_DC10/06B	
UNLESS OTHERWISE SPECIFIED, DIMENSIONAL TOLERANCES ARE: IN [mm]		MATERIAL:	
.x ± .xxx ± .010 [.3]		SEE NOTE 2	
.xx ± .03 [.8] ANGLES ±		DRAWING NUMBER:	
THIRD ANGLE PROJECTION		02341 - 10	
DRAWN BY	DATE	CHK	SCALE
MDJR	3-31-08	PBD	FULL
REV	DATE	BY	CHK
1	5-19-14	MDJR	REFR
R	3-31-08	MDJR	PBD
APR	DESCRIPTION		ECN
	A. UPDATED TITLE BLOCK.		02341-10
	RELEASED TO PRODUCTION		02341-10
SHT 1 OF 1		SIZE	
A		A	

D10100DA/14

2

1

2

1