


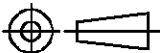

LOC	DIST	REVISIONS					
AJ	—	P	LTR	DESCRIPTION	DATE	DWN	APVD
		0		REDRAWN ON CAD	25JUL02	GM	GM

THIS DRAWING IS UNPUBLISHED.

ALL RIGHTS RESERVED.

© COPYRIGHT - BY TYCO ELECTRONICS CORPORATION.

1404420-1	1329823-1
MATERIAL	PART NUMBER

DIMENSIONS: MM		DWN G. MICHAEL 25JUL2002	MATERIAL	FINISH				
TOLERANCES UNLESS OTHERWISE SPECIFIED:		CHK G. MICHAEL 30JUL02	 Tyco Electronics Corporation Middletown, PA 17057					
0 PLC ± -	1 PLC ± -	APVD G. MICHAEL 30JUL02						
2 PLC ± -	3 PLC ± -	PRODUCT SPEC	NAME N SERIES PLUG					
4 PLC ± -	ANGLES ± -	APPLICATION SPEC	TERMINATOR, 50 OHM, 50 WATT					
		WEIGHT	SIZE	CAGE CODE	DRAWING NO	RESTRICTED TO		
CUSTOMER DRAWING		—	A4	00779	 -1329823	—		
			SCALE	1:1	SHEET	1 OF 1	REV	0