

NOTES:

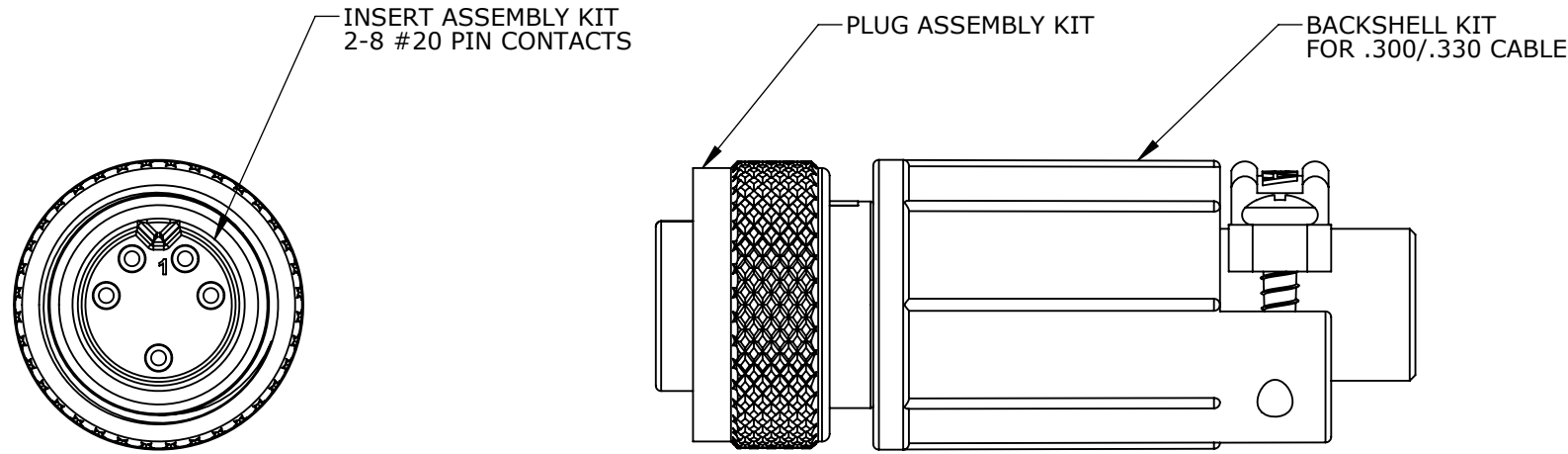
1. ALL PARTS ARE TO BE PLACED IN 5 IN. X 7 IN. POLY BAG WITH INSTRUCTION SHEET.
2. LABEL TO BE MARKED WITH PART NUMBER AND DATE CODE.

CABLE END WITH PIN CONTACTS PART NUMBERS:

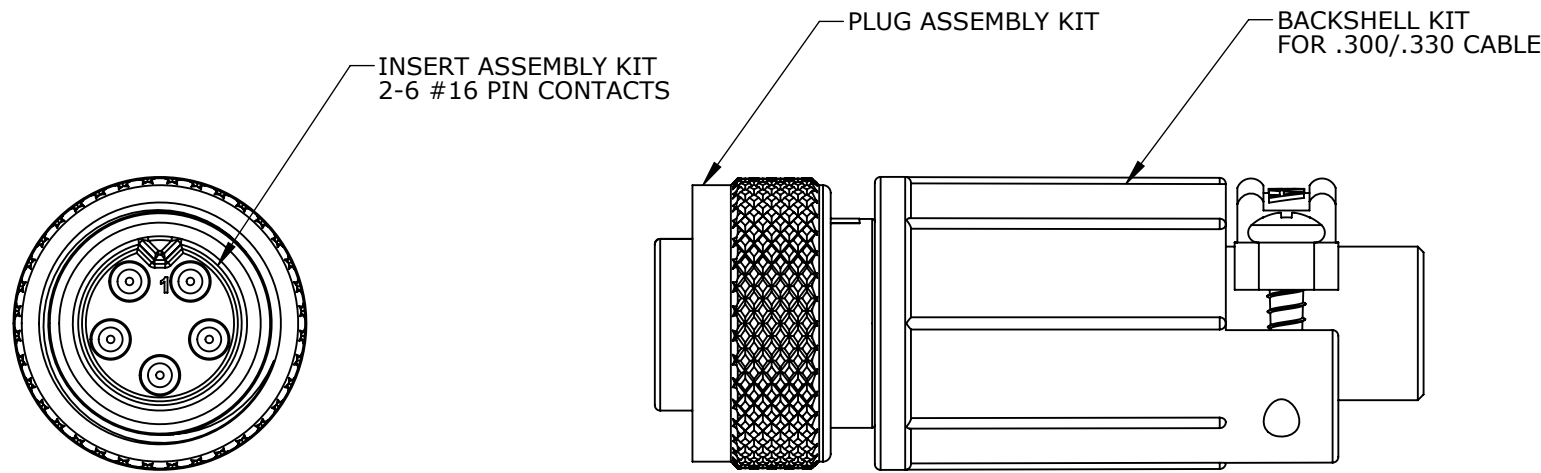
S F 6 X 8 2 - X P G - 5 3 0

CONTACT SIZE
2- #20 PINS
3- #16 PINS

OF CONTACTS
2-8 FOR #20 PINS
2-6 FOR #16 PINS



CABLE END SF6282-5PG-530, (5) #20 PINS SHOWN



CABLE END SF6382-5PG-530, (5) #16 PINS SHOWN


CUSTOMER APPROVAL

THIS DOCUMENT CONTAINS CONFIDENTIAL INFORMATION PROPRIETARY TO CONXALL CORPORATION. ANY REPRODUCTION, DISCLOSURE, OR USE OF THIS DOCUMENT /INFORMATION IS EXPRESSLY PROHIBITED UNLESS AUTHORIZED IN WRITING BY CONXALL CORPORATION.

APPROVED BY: _____

DATE: _____

RoHS COMPLIANT

A	AN	12-13-11	DRAWING CREATED PER DOR 11-E149SL
REV.	INIT.	DATE	DESCRIPTION
	AN	12-12-11	ORIG. DRAWN BY: AN DATE: 12-12-11
ALL INFORMATION ILLUSTRATED IS THE PROPERTY OF "CONXALL CORPORATION." UNAUTHORIZED DUPLICATION OR DISTRIBUTION OF THIS DOCUMENT IS PROHIBITED.			 601 E. WILDWOOD VILLA PARK, IL 60181
ALL UNITS ARE IN FEET, INCHES, FRACTION OF INCHES AND DECIMALS.			
APPROVED BY:		TITLE: CABLE END ASSEMBLY #16 & #20 PIN CONTACTS, FOR .330 CABLE SHIELDED MINI-CON-X STANDARD PRODUCT	
SCALE	SIZE	SHEET	CUSTOMER:
NTS	B	1 OF 1	STANDARD PRODUCT
FILE:	DIRECTORY:	PART NUMBER:	REV
SF6X82-XPG-530	SLW	SF6X82-XPG-530	A

CUSTOMER PRINT

PART NUMBER: SF6X82-XPG-530