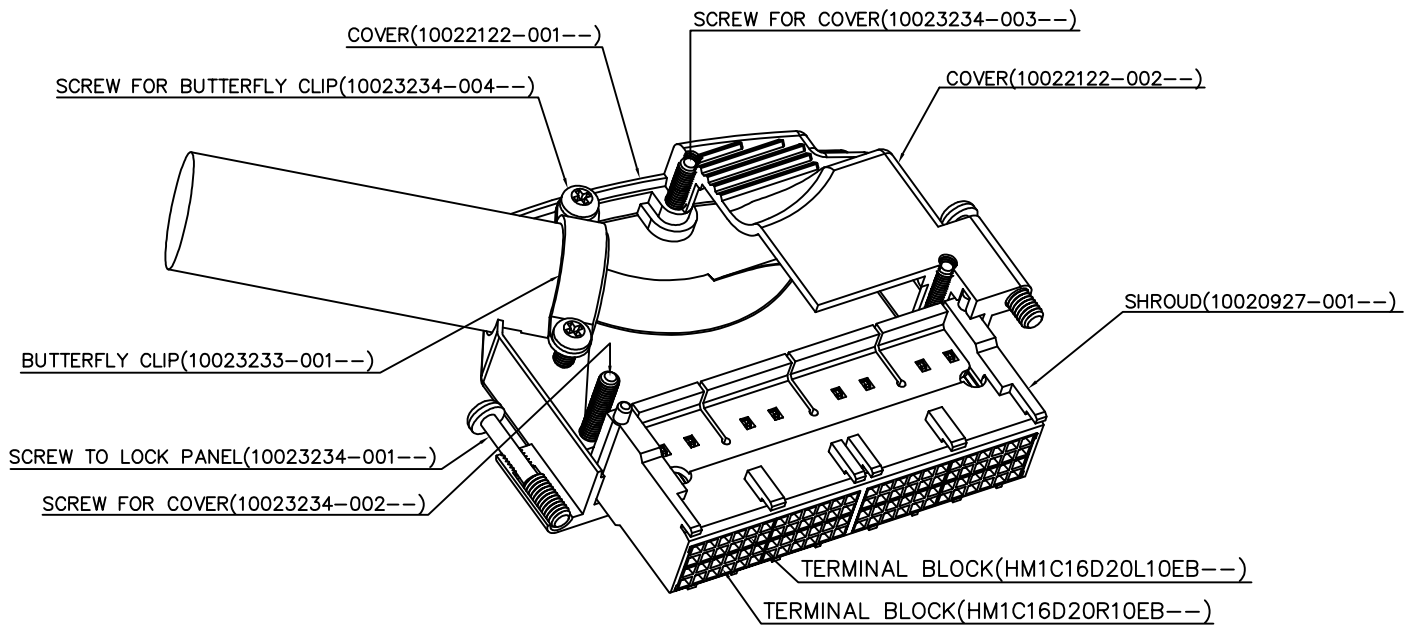


PART NUMBER
10024234-001
10024234-001LF

KIT'S COMPONENTS TABLE

COMPONENTS NAME	COVER		SHROUD	TERMINAL BLOCK ASSEMBLY		BUTTERFLY CLIP	SCREW TO LOCK PANEL	SCREW FOR COVER ASSEMBLY		SCREW FOR BUTTERFLY CLIP
P/N'S 10024234-001	10022122-001	10022122-002	10020927-001LF	HM1C16D20L10EB (BFC202710002)	HM1C16D20R10EB (BFC202710005)	10023233-001	10023234-001	10023234-002	10023234-003	10023234-004
Q'TY/KIT	1 PC	1 PC	1 PC	4 PCS	4 PCS	1 PC	2 PCS	2 PCS	1 PC	2 PCS
P/N'S 10024234-001LF	10022122-001LF	10022122-002LF	10020927-001LF	HM1C16D20L10EBLF (BFC202710002)	HM1C16D20R10EBLF (BFC202710005)	10023233-001LF	10023234-001LF	10023234-002LF	10023234-003LF	10023234-004LF



Note:

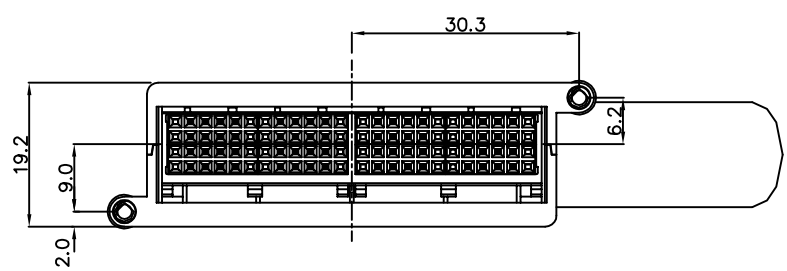
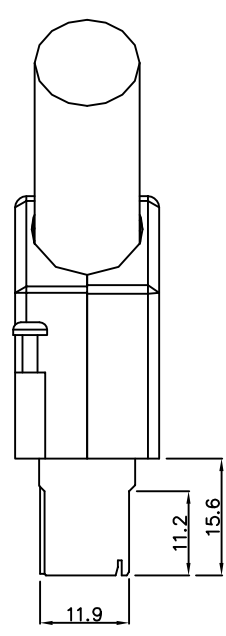
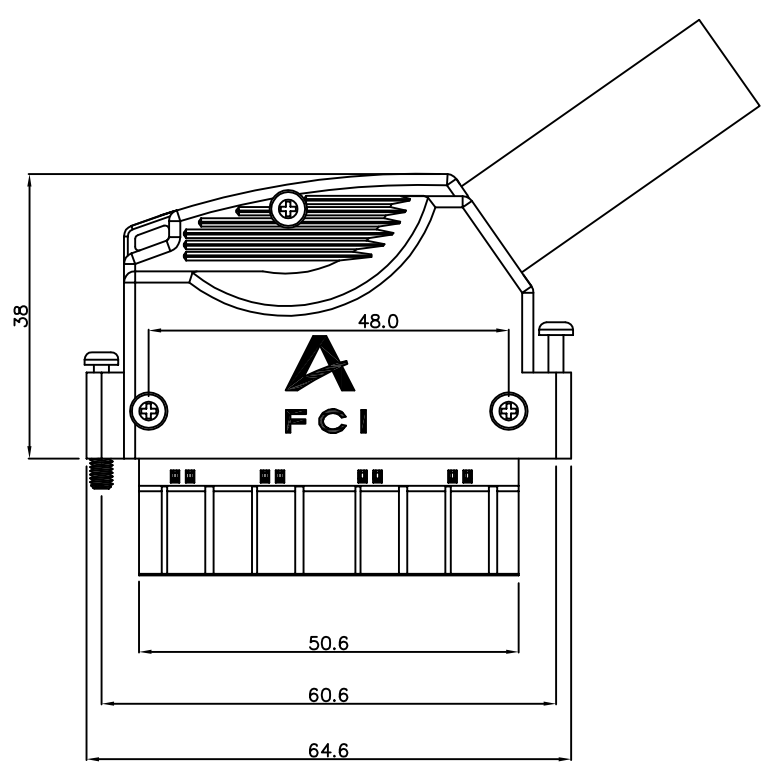
1. THIS PRODUCT WITH "LF" SUFFIX MEETS EUROPEAN UNION DIRECTIVES AND OTHER COUNTRY REGULATIONS AS DESCRIBED IN GS -22-008.
2. THE PRODUCT IS NOT INTENDED TO BE EXPOSED TO A MANUFACTURING SOLDER PROCESS.

mat'l code		tolerance unless otherwise specified		CUSTOMER COPY		 www.fciconnect.com		
rev.	ecn no.	dr	date	linear	projection	title		
A	bg03-0012	AZ	10/30/03			96P CABLE I/O CONNECTOR KIT		
B	bg03-0094	AZ	12/05/03					
C	bg05-0420	CL	10/26/05	angles	 A3	product family CABLE CONNECTOR		
				dr		ANTONIO ZHU	12/04/03	unit
				enr		ANTONIO ZHU	12/04/03	mm/inch
				chr		ANTONIO ZHU	12/04/03	scale
				appd	JOSEPH HSIA	12/05/03	size	
sheet	revision	C	C	C	C		dwg no.	
1	2	3	4				10024234	
index	sheet	1	2	3	4		sheet 1 OF 4	

Tous droits strictement reserves. Reproduction ou communication a des tiers int
 sous quelque forme que ce soit sans autorisation ecrite du proprietaire.
 Property of c BERG ELECTRONICS.
 Droits de reproduction BERG ELECTRONICS by
 Copyright BERG ELECTRONICS by
 All rights strictly reserved. Reproduction or issue to third parties in any for
 whatever is not permitted without written authority from the proprietor.
 Property of c BERG ELECTRONICS.
 Copyright BERG ELECTRONICS by



PART NUMBER
 10024234-001
 10024234-001LF



mat'l code		tolerance unless otherwise specified		CUSTOMER COPY		 www.fciconnect.com	
rev.	ecn no.	dr	date	linear	projection	title	
c						96P Cable I/O Connector Kit	
				angles		product family CABLE CONNECTOR code	
				dr ANTONIO ZHU 12/04/03		unit	size dwg no.
				enr ANTONIO ZHU 12/04/03	mm/inch	A3 10024234	
				chr ANTONIO ZHU 12/04/03	scale	sheet 2 OF 4	
				appd JOSEPH HSIA 12/05/03			
sheet	revision						
index	sheet						

Tous droits strictement réservés. Reproduction ou communication a des tiers int sous quelque forme que ce soit sans autorisation écrite du propriétaire. Propriété de c BERG ELECTRONICS. Droits de reproduction BERG ELECTRONICS by

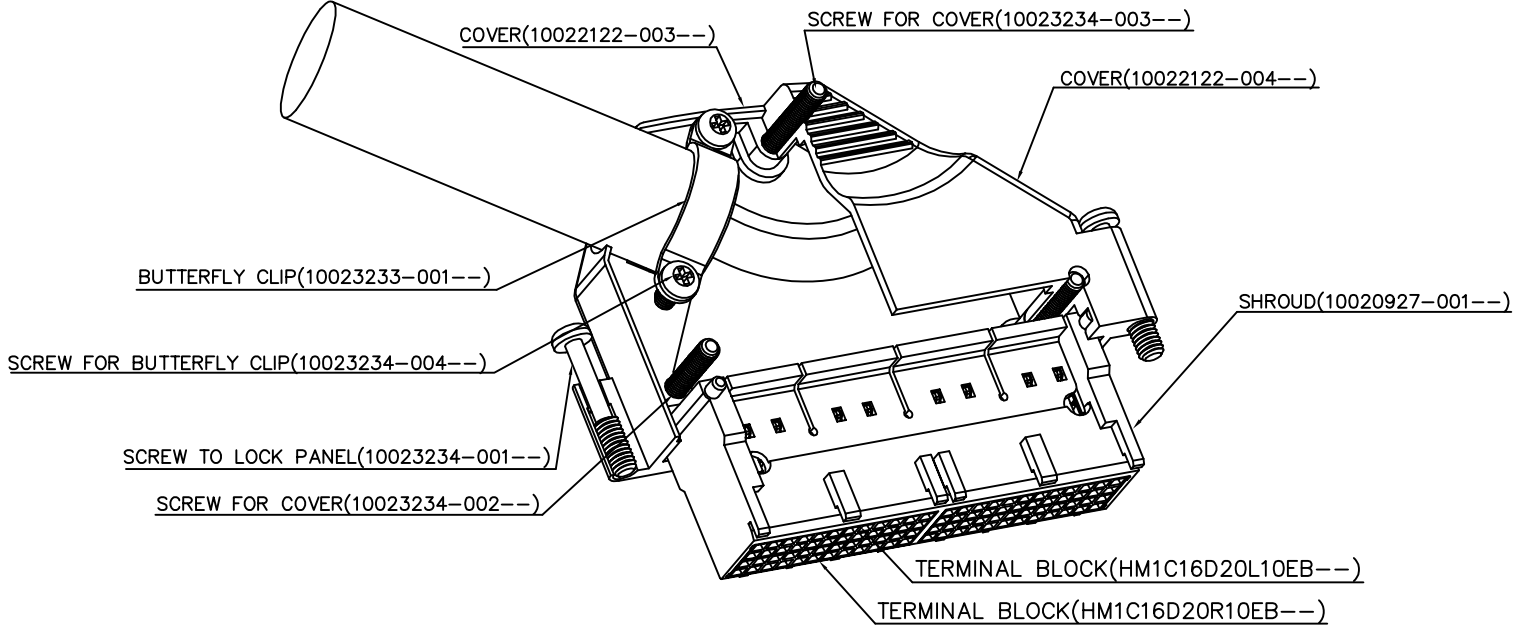


All rights strictly reserved. Reproduction or issue to third parties in any for whatever is not permitted without written authority from the proprietor. Property of c BERG ELECTRONICS. Copyright BERG ELECTRONICS by

PART NUMBER
10024234-002
10024234-002LF

KIT'S COMPONENTS TABLE

COMPONENTS NAME	COVER		SHROUD	TERMINAL BLOCK ASSEMBLY		BUTTERFLY CLIP	SCREW TO LOCK PANEL	SCREW FOR COVER ASSEMBLY		SCREW FOR BUTTERFLY CLIP
	P/N'S	10022122 -003	10022122 -004	10020927 -001LF	HM1C16D20L10EB (BFC202710002)	HM1C16D20R10EB (BFC202710005)	10023233 -001	10023234 -001	10023234 -002	10023234 -003
Q'TY/KIT	1 PC	1 PC	1 PC	4 PCS	4 PCS	1 PC	2 PCS	2 PCS	1 PC	2 PCS
P/N'S	10022122 -003LF	10022122 -004LF	10020927 -001LF	HM1C16D20L10EBLF (BFC202710002)	HM1C16D20R10EBLF (BFC202710005)	10023233 -001LF	10023234 -001LF	10023234 -002LF	10023234 -003LF	10023234 -004LF



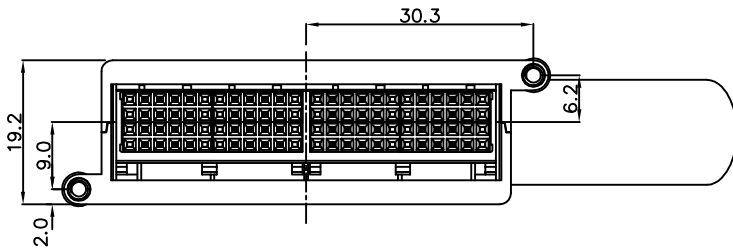
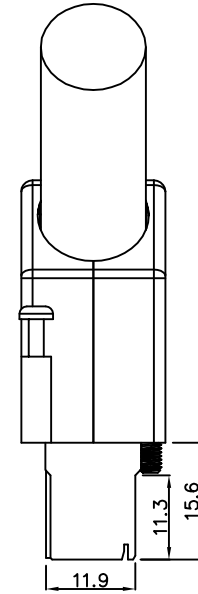
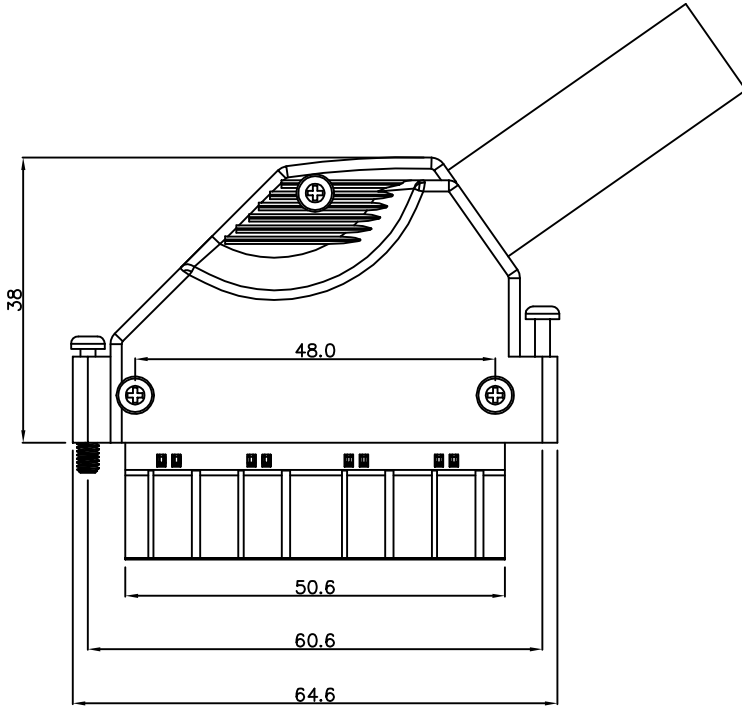
Note:


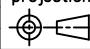
1. THIS PRODUCT WITH "LF" SUFFIX MEETS EUROPEAN UNION DIRECTIVES AND OTHER COUNTRY REGULATIONS AS DESCRIBED IN GS -22-008.
2. THE PRODUCT IS NOT INTENDED TO BE EXPOSED TO A MANUFACTURING SOLDER PROCESS.

mat'l code				tolerance unless otherwise specified		CUSTOMER COPY		 www.fciconnect.com		
rev.	ecn no.	dr	date	linear		projection	title			
C				angles			96P CABLE I/O CONNECTOR KIT			
				dr	ANTONIO ZHU	12/04/03	unit	product family	CABLE CONNECTOR	code
				enr	ANTONIO ZHU	12/04/03	mm/inch	size	dwg no.	sheet
				chr	ANTONIO ZHU	12/04/03	scale	A3	10024234	3 OF
				appd	JOSEPH HSIA	12/05/03				
sheet	revision									
index	sheet									

Tous droits strictement reserves. Reproduction ou communication a des tiers int sous quelque forme que ce soit sans autorisation ecrite du propriétaire. Propriete de c BERG ELECTRONICS. Droits de reproduction BERG ELECTRONICS by
 All rights strictly reserved. Reproduction or issue to third parties in any for whatever is not permitted without written authority from the proprietor. Property of c BERG ELECTRONICS. Copyright BERG ELECTRONICS by

PART NUMBER
 10024234-002
 10024234-002LF



mat'l code		tolerance unless otherwise specified		CUSTOMER COPY		 www.fciconnect.com	
rev.	ecn no.	dr	date	linear	projection	title	
c				angles		96P Cable I/O Connector Kit	
				dr	ANTONIO ZHU	12/04/03	unit
				enqr	ANTONIO ZHU	12/04/03	mm/inch
				chr	ANTONIO ZHU	12/04/03	scale
				appd	JOSEPH HSIA	12/05/03	
sheet		revision		product family		CABLE CONNECTOR	
index		sheet		size		dwg no.	
				A3		10024234	
				sheet		4 OF 4	

PDM: Rev:C

STATUS: Released

Printed: Jul 29, 2010

Tous droits strictement réservés. Reproduction ou communication à des tiers sans autorisation écrite de BERG ELECTRONICS. Propriété de BERG ELECTRONICS. Droits de reproduction BERG ELECTRONICS by

FCI

All rights strictly reserved. Reproduction or issue to third parties in any form without written authority from the proprietor. Property of BERG ELECTRONICS. Copyright BERG ELECTRONICS by