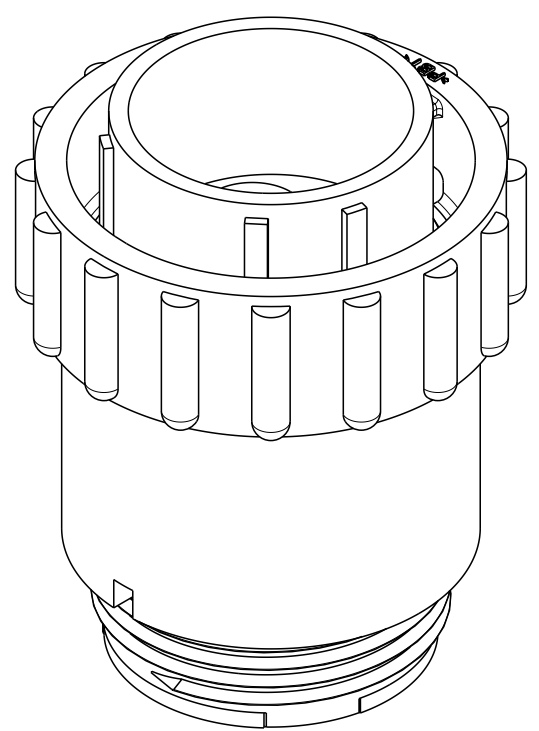
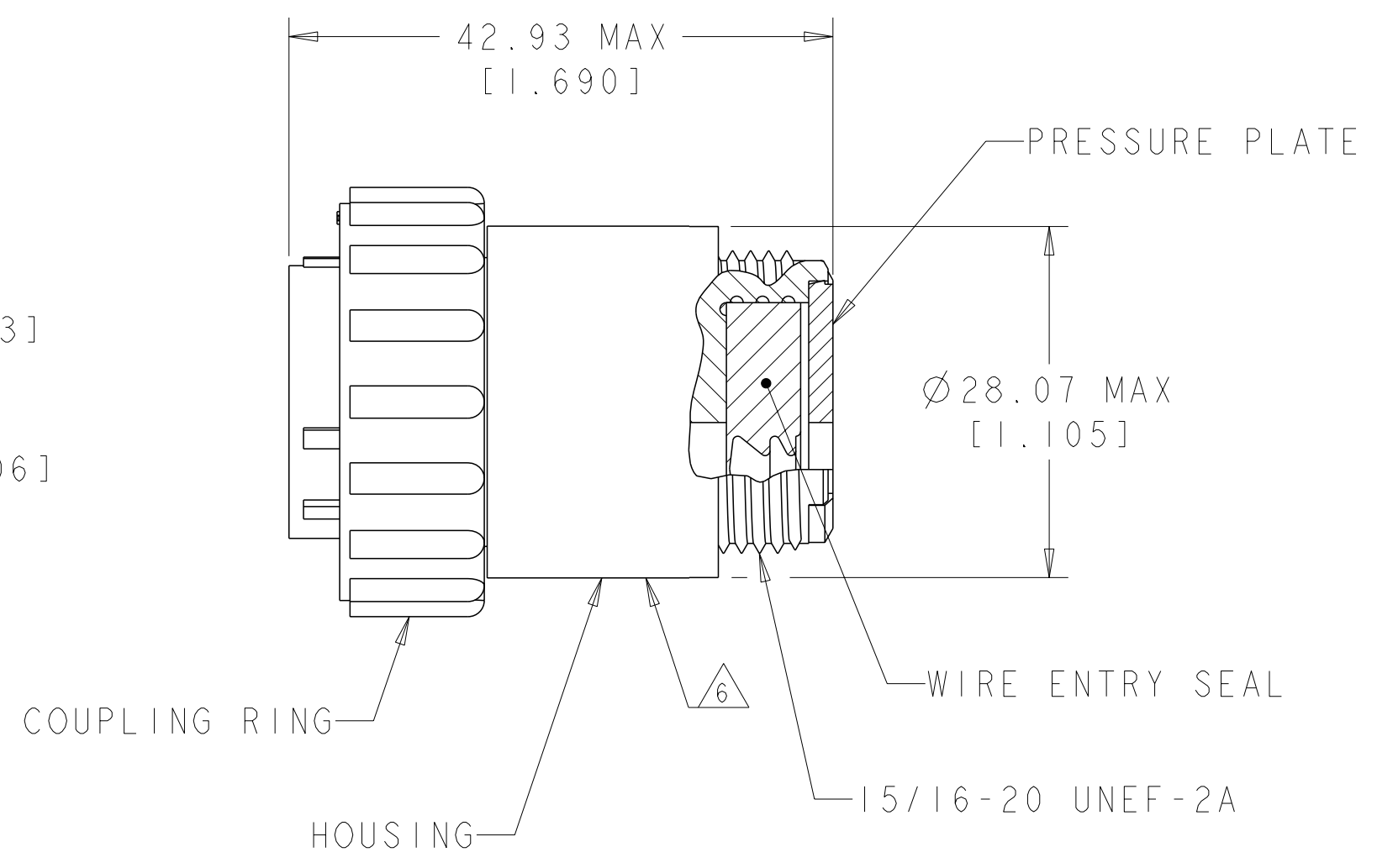
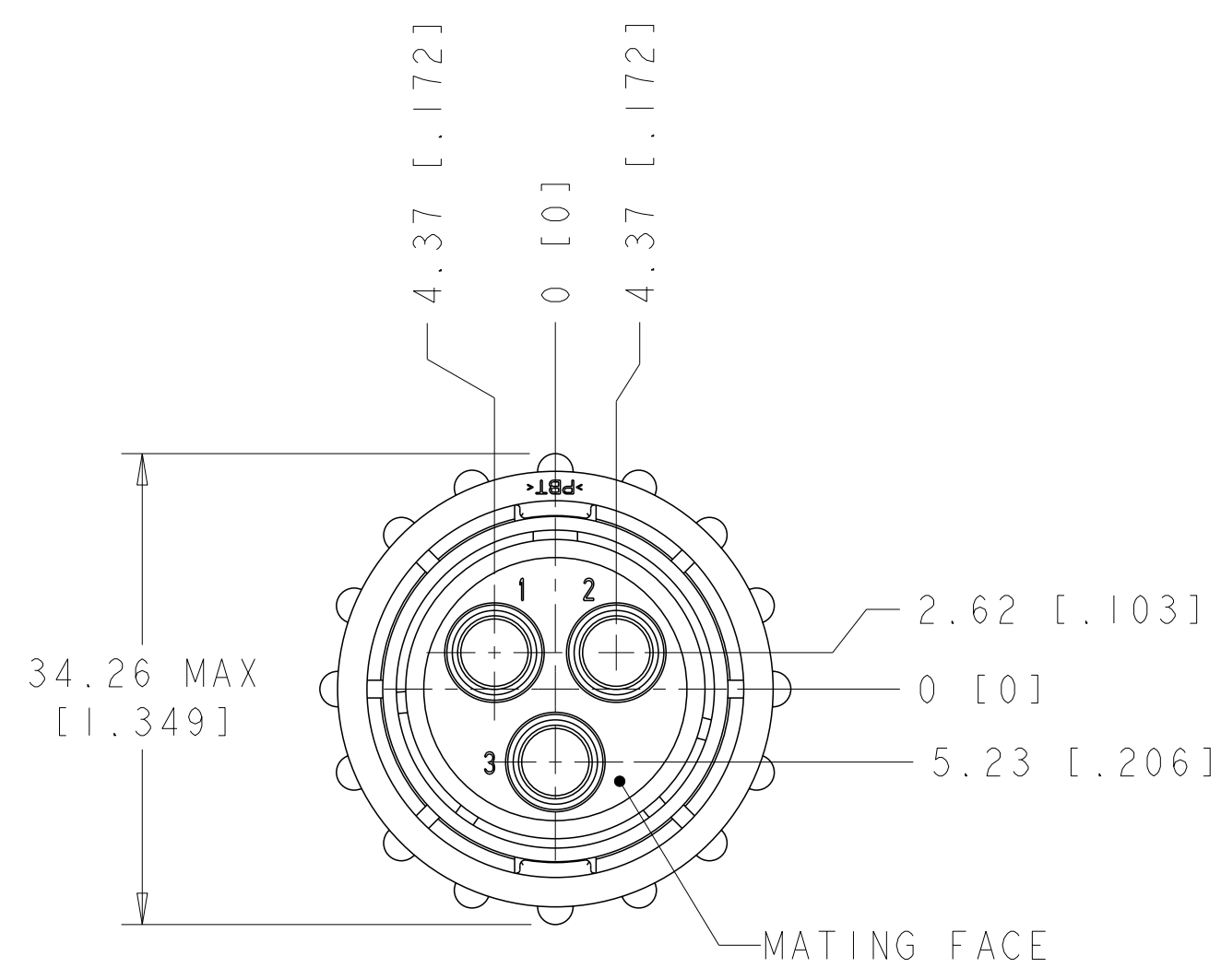


THIS DRAWING IS UNPUBLISHED. RELEASED FOR PUBLICATION
 © COPYRIGHT 20 BY - ALL RIGHTS RESERVED.

| LOC | DIST | REVISIONS | | | | | |
|-----|------|-----------|-----|---------------------------|-----------|-----|------|
| FT | 0 | P | LTR | DESCRIPTION | DATE | DWN | APVD |
| | | D | | REVISED PER ECO-21-006944 | 12OCT2021 | RK | MZ |
| | | | | | | | |
| | | | | | | | |



- ① HOUSING & PRESSURE PLATE: NYLON, BLACK.
WIRE ENTRY SEAL: ELASTOMER, RED-IRON OXIDE.
- ② COUPLING RING: POLYESTER, BLACK.
- ③ COUPLING RING: POLYPHENYLENE OXIDE, BLACK.
- ④ WILL ACCEPT (3) POWER MALE CONTACTS.
- ⑤ OBSOLETE PARTS: OBSOLETE CIS STREAMLINING PER D.RENAUD/D.SINISI
- ⑥ TE LOGO LOCATED ANYWHERE ON THIS SURFACE

| | | | |
|------------|-------------------|--------------------------|-------------|
| ⑤ OBSOLETE | ① ③ | 2.41-5.21 [.095-.205] | 788188-3 |
| | ① ② | 3.81-6.73 [.150-.265] | 788188-2 |
| | ① ② | 2.41-5.21 [.095-.205] | 788188-1 |
| | MATERIAL & FINISH | INSULATION RANGE | PART NUMBER |

| | | | | |
|---|--|----------------------------------|---|------------------------|
| THIS DRAWING IS A CONTROLLED DOCUMENT. | | DWN S. WELDON 08FEB2000 | TE Connectivity | |
| DIMENSIONS: mm [INCHES] | | CHK K. DOWHOWER 08FEB2000 | | |
| TOLERANCES UNLESS OTHERWISE SPECIFIED: | | APVD K. DOWHOWER 08FEB2000 | NAME PLUG ASSEMBLY, SERIES 5, REVERSE SEX, SIZE 17-3, CIRCULAR PLASTIC CONNECTOR | |
| 0 PLC ± 1 PLC ± 2 PLC ±0.02 3 PLC ± 4 PLC ± ANGLES ± FINISH | | PRODUCT SPEC 108-1579 | SIZE A200779 | DRAWING NO C-788188 |
| MATERIAL ① | | WEIGHT - | RESTRICTED TO | |
| CUSTOMER DRAWING | | SCALE 2:1 | SHEET 1 | REV D |

Printed on 12 Oct 2021 18:13 (India Standard Time) from FR019765