

4

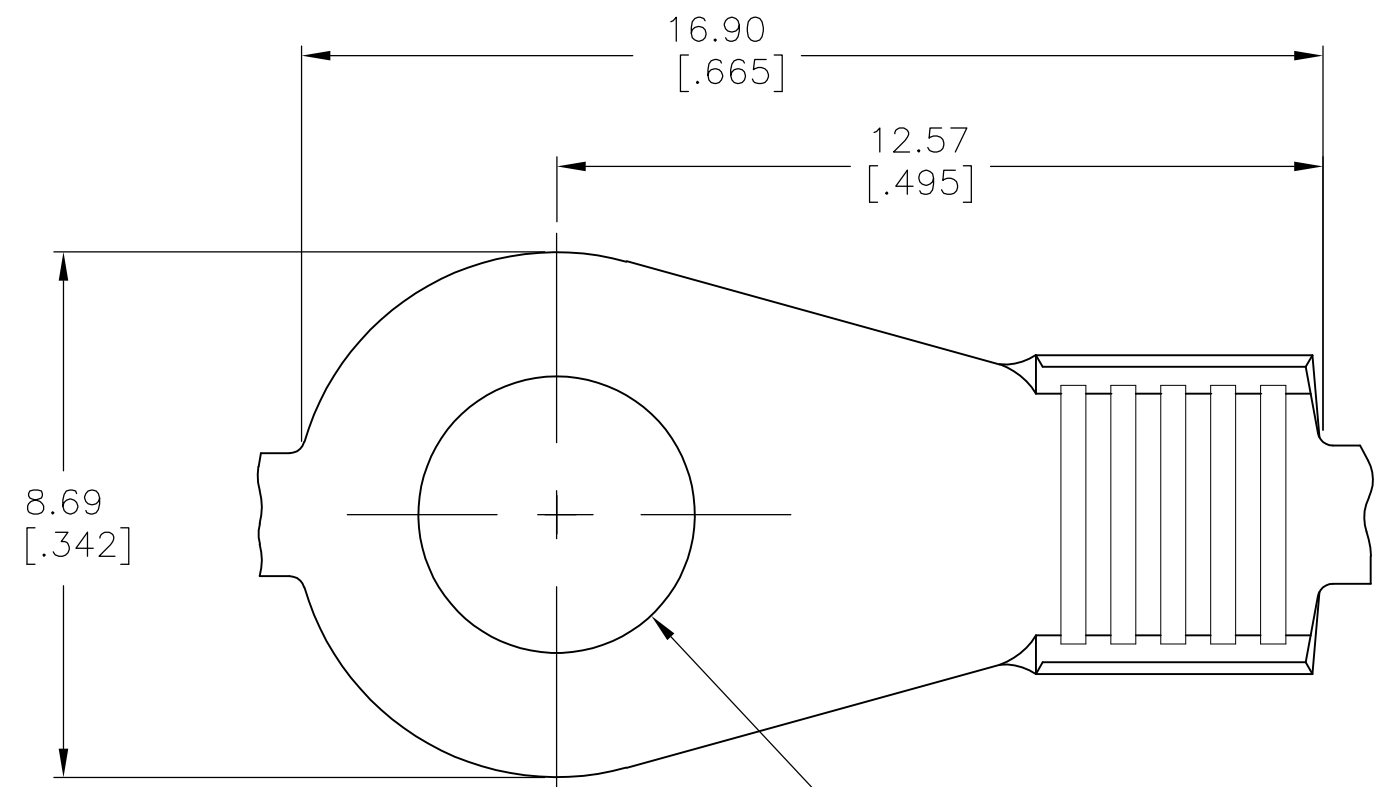
3

2

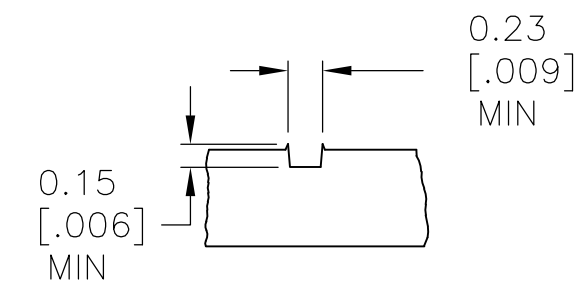
1

THIS DRAWING IS UNPUBLISHED. RELEASED FOR PUBLICATION  
 © COPYRIGHT - By TYCO ELECTRONICS CORPORATION. ALL RIGHTS RESERVED.

LOC	DIST	REVISIONS			
P	LTR	DESCRIPTION	DATE	DWN	APVD
AF	50	B	REVISE PER ECR-13-013738	15FEB2014	GRZ JL



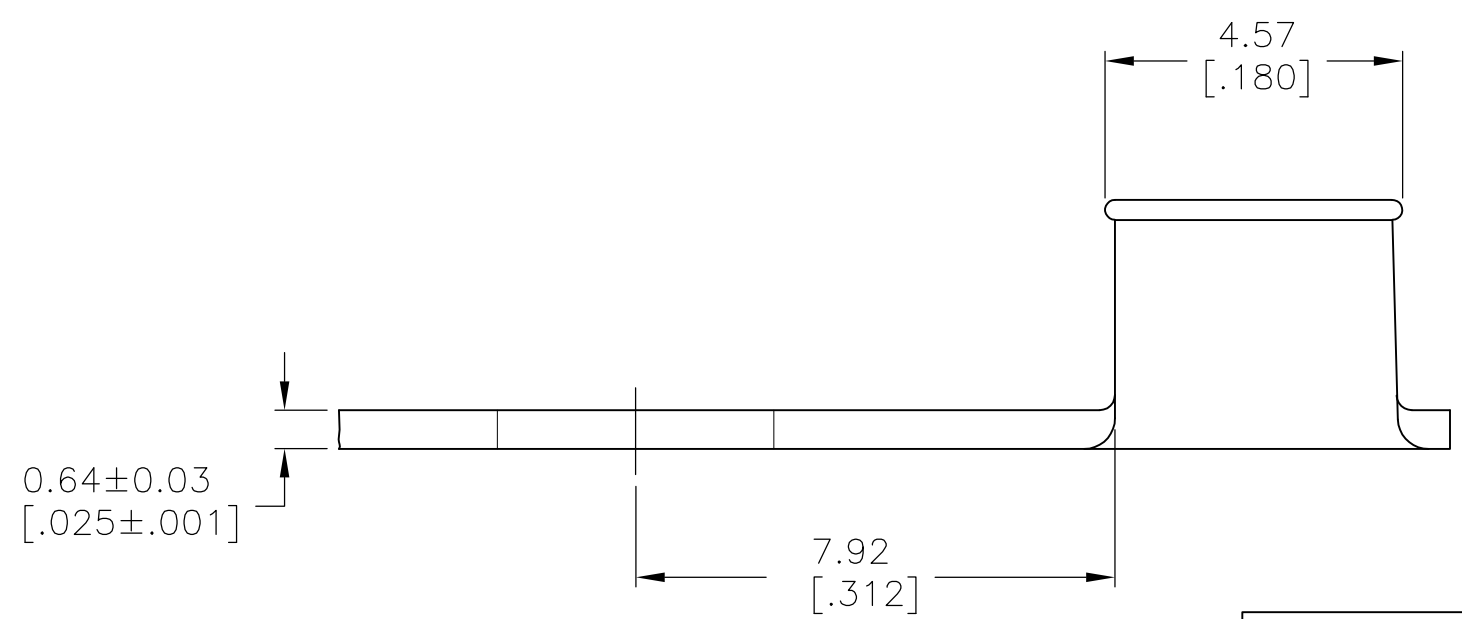
- 1 CONTINUOUS STRIP ON REELS
- 2 WIRE RANGE: 11 - 13



SERRATION DETAIL  
SCALE 20:1

APPLIES ONLY AT STRAIGHT PORTION  
ON SIDES OF BARREL

$\phi 4.57 \pm 0.08$   
[ $\phi .180 \pm .003$ ]



350571-1  
PART NO

THIS DRAWING IS A CONTROLLED DOCUMENT.		DWN RAGHAVENDRA 03MAR09	TE Connectivity				
DIMENSIONS: mm [INCHES]		CHK JEFF RUTH 03MAR09					
TOLERANCES UNLESS OTHERWISE SPECIFIED:		APVD DON DECKER 03MAR09	NAME				
0 PLC ± - 1 PLC ± - 2 PLC ± - 3 PLC ± 0.38 [.015] 4 PLC ± - ANGLES ± 1° 0'		PRODUCT SPEC	RING AMPLIVAR				
MATERIAL BRASS		FINISH TIN	APPLICATION SPEC	SIZE	CAGE CODE	DRAWING NO	RESTRICTED TO
			WEIGHT -	A3	00779	C-350571	-
CUSTOMER DRAWING			SCALE 8:1	SHEET 1 OF 1	REV B		