

HC-STA-B10-HLWD-BLANK-EL-AL - Housing



1420034

<https://www.phoenixcontact.com/us/products/1420034>

Please be informed that the data shown in this PDF document is generated from our online catalog. Please find the complete data in the user documentation. Our general terms of use for downloads are valid.



Sleeve housing B10, with double locking latch, material: Die-cast aluminum, salt water resistant, variable, height: 57 mm, cable gland: none, Standard, Without thread opening for screw connection

Product description

Sleeve housing, without screw thread

Your advantages

- Good shielding in the event of electromagnetic interference

Commercial data

Item number	1420034
Packing unit	1 pc
Minimum order quantity	1 pc
Sales key	BF56
Product key	BF7APB
Catalog page	Page 614 (C-2-2019)
GTIN	4055626201382
Weight per piece (including packing)	179.5 g
Weight per piece (excluding packing)	179.5 g
Customs tariff number	85389099
Country of origin	CN

HC-STA-B10-HLWD-BLANK-EL-AL - Housing



1420034

<https://www.phoenixcontact.com/us/products/1420034>

Technical data

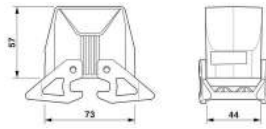
Notes

General	for contact inserts HC-B10, BB18, DD42, M, K8/24, HV03
General	also available as a powder-coated or color version: 1372776 HC-STA-B10-HLWD-BLANK-EL/...

Product properties

Type	B10
Product type	Housing with locking latch
Application	Standard
Housing type	Sleeve housing
Cable outlet	variable
Pg screw connection	none

Dimensions

Dimensional drawing	
Width	44 mm
Height	57 mm
Length	73 mm

Material specifications

Flammability rating according to UL 94	V0 (Interlock)
Housing surface material	uncoated
Locking latch material	PA
Impact strength	IK09
Housing material	Die-cast aluminum, salt water resistant

Mechanical properties

Mechanical data

Locking type	Latch
--------------	-------

Environmental and real-life conditions

Ambient conditions

Degree of protection	IP66
	IP67
Degree of protection (NEMA)	4 (UL 50e)
	4X (UL 50e)
	12 (UL 50e)

HC-STA-B10-HLWD-BLANK-EL-AL - Housing



1420034

<https://www.phoenixcontact.com/us/products/1420034>

Impact strength	IK09
Ambient temperature (operation)	-40 °C ... 125 °C

HC-STA-B10-HLWD-BLANK-EL-AL - Housing

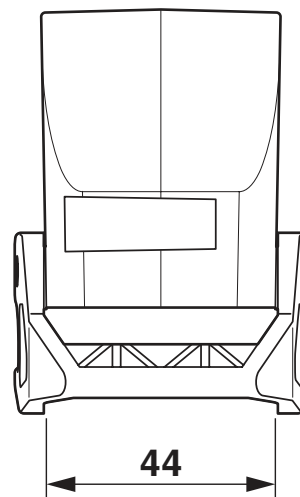
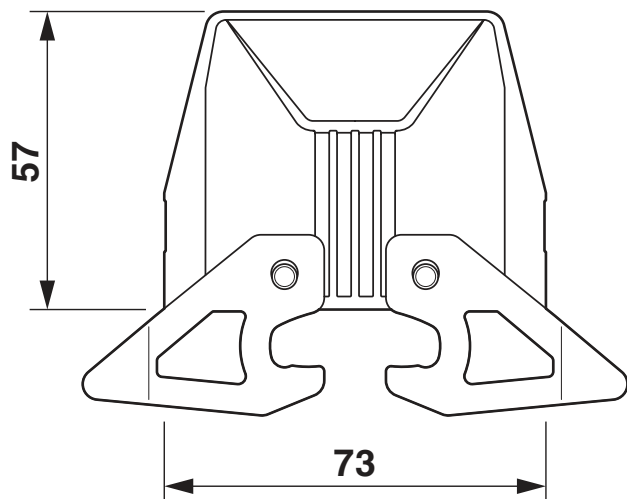
1420034

<https://www.phoenixcontact.com/us/products/1420034>



Drawings

Dimensional drawing



Dimensional drawing

HC-STA-B10-HLWD-BLANK-EL-AL - Housing



1420034

<https://www.phoenixcontact.com/us/products/1420034>

Approvals

🔗 To download certificates, visit the product detail page: <https://www.phoenixcontact.com/us/products/1420034>

DNV

Approval ID: TAE000037S



EAC

Approval ID: RU C-DE.AI30.B.01102



EAC

Approval ID: RU C-DE.BL08.B.00511

HC-STA-B10-HLWD-BLANK-EL-AL - Housing



1420034

<https://www.phoenixcontact.com/us/products/1420034>

Classifications

ECLASS

ECLASS-11.0	27440202
ECLASS-12.0	27440202
ECLASS-13.0	27440202

ETIM

ETIM 8.0	EC000437
----------	----------

UNSPSC

UNSPSC 21.0	31261500
-------------	----------

HC-STA-B10-HLWD-BLANK-EL-AL - Housing



1420034

<https://www.phoenixcontact.com/us/products/1420034>

Environmental product compliance

China RoHS	Environmentally friendly use period: unlimited = EFUP-e
	No hazardous substances above threshold values

HC-STA-B10-HLWD-BLANK-EL-AL - Housing



1420034

<https://www.phoenixcontact.com/us/products/1420034>

Accessories

US-EMLP (20X9) CUS - Plastic label

0830085

<https://www.phoenixcontact.com/us/products/0830085>



Plastic label, can be ordered: by card, white, labeled according to customer specifications, mounting type: adhesive, lettering field size: 20 x 9 mm, Number of individual labels: 75

HC-B10-HCFD-PR-BK - Protective cover

1346529

<https://www.phoenixcontact.com/us/products/1346529>



Protective cover B10, for double locking latch, protective cover material: PC, height: 26.3 mm, seal: yes

HC-STA-B10-HLWD-BLANK-EL-AL - Housing



1420034

<https://www.phoenixcontact.com/us/products/1420034>

US-EMLP-HA (20X9) - Plastic label

0830989

<https://www.phoenixcontact.com/us/products/0830989>

Plastic label, Card, white, unlabeled, can be labeled with: BLUEMARK ID COLOR, BLUEMARK ID, THERMOMARK PRIME, THERMOMARK CARD 2.0, THERMOMARK CARD, mounting type: adhesive, lettering field size: 20 x 9 mm, Number of individual labels: 70



Phoenix Contact 2023 © - all rights reserved

<https://www.phoenixcontact.com>

Phoenix Contact USA
586 Fulling Mill Road
Middletown, PA 17057, United States
(+717) 944-1300
info@phoenixcon.com