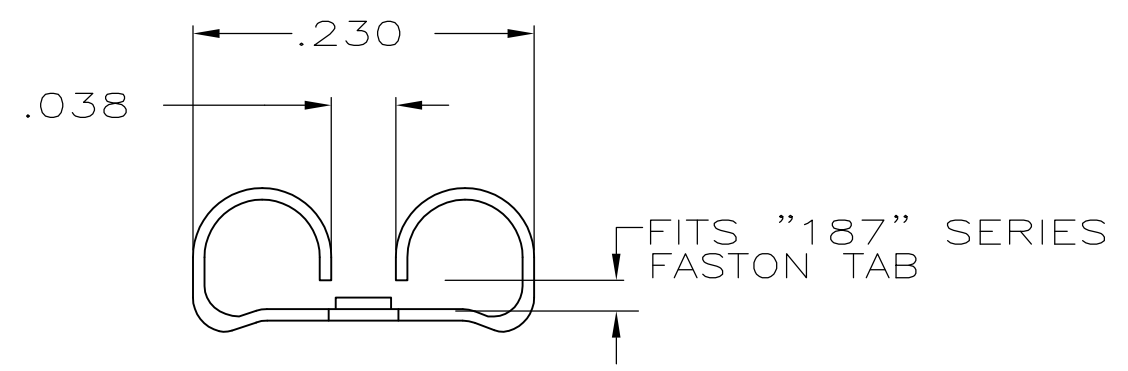
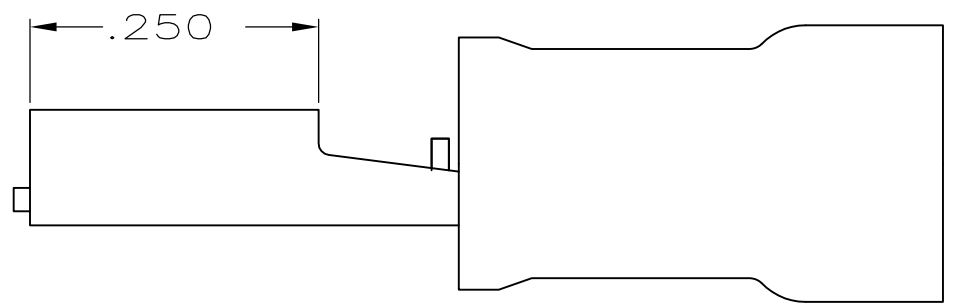
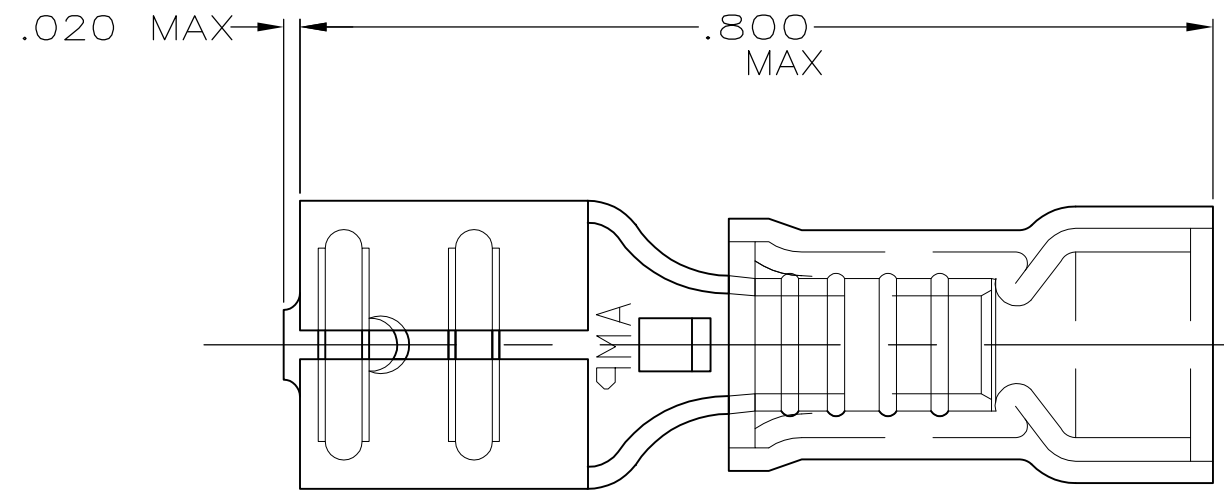


THIS DRAWING IS UNPUBLISHED. RELEASED FOR PUBLICATION  
 © COPYRIGHT - By - ALL RIGHTS RESERVED.

LOC	DIST	REVISIONS					
		P	LTR	DESCRIPTION	DATE	DWN	APVD
G	14		L3	REVISED PER ECO-11-004587	11MAR11	RK	HMR



- 1 INSULATION DIA .135 MAX
- 2 FITS TAB .020 THK
- △ 3 SUPERSEDED BY 8-640917-1

QTY	PACKAGE TYPE	PART NO
50	LOOSE PC,BAG	8-640917-5
100	LOOSE PC,BOX	8-640917-1
-	TAPE MOUNTED	640917-2
-	LOOSE PIECE	640917-1

AMP INCORPORATED CUSTOMER SERVICE SYSTEM		MAX RECOMMENDED OPERATING TEMPERATURE: 105° C MAX	THIS DRAWING IS A CONTROLLED DOCUMENT.		DWN L OLMEDA 26JUN95	TE Connectivity					
FOR ADDITIONAL PRODUCT INFORMATION OR COPIES OF DRAWINGS AND TECHNICAL DOCUMENTS	PRODUCT INFORMATION CENTER 1-800-522-6752	VOLTAGE RATING: 300V MAX	DIMENSIONS: INCHES	TOLERANCES UNLESS OTHERWISE SPECIFIED:	CHK M ELLIS 26JUN95				NAME RECEPTACLE, 187 SERIES, FASTON™, PIDG™, WIRE SIZE: 22-18 AWG		
FOR APPLICATION TOOLING INFORMATION	TOOLING ASSISTANCE CENTER 1-800-722-1111	CIRCULAR MIL AREA: 0.26-0.96mm <sup>2</sup> [509-1900] STRANDED		0 PLC ± - 1 PLC ± - 2 PLC ± - 3 PLC ± .005 4 PLC ± - ANGLES ± -	APVD B BARE 26JUN95	SIZE	CAGE CODE	DRAWING NO	RESTRICTED TO		
FOR ORDER ENTRY	1-800-526-5142	MATERIAL BODY, BRASS .016 SLV, NYLON, COLOR:RED		FINISH BODY, TIN	PRODUCT SPEC -	APPLICATION SPEC -	A3	00779	C-640917	-	
CUSTOMER DRAWING						SCALE	NTS	SHEET	1 OF 1	REV	L3