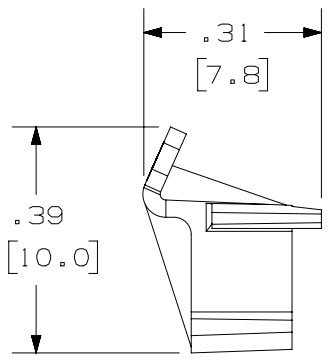
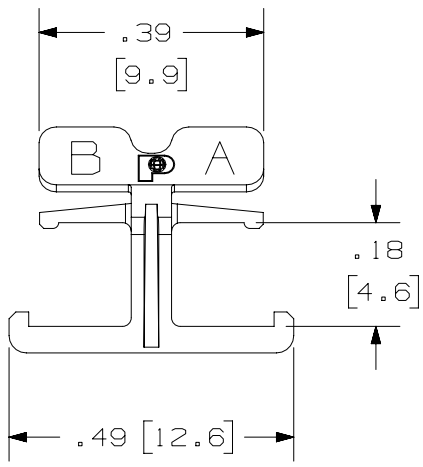
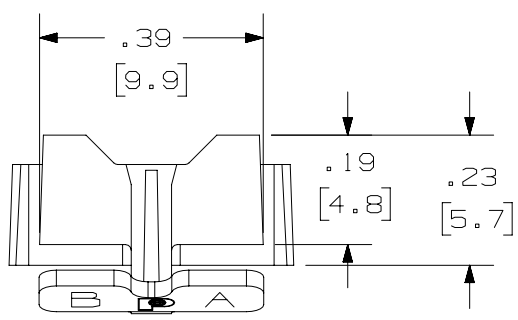


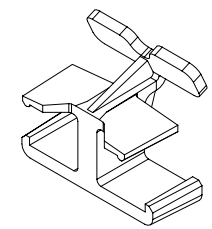
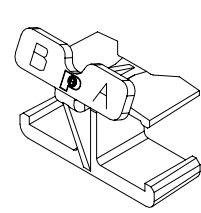
THIS COPY IS PROVIDED ON A RESTRICTED BASIS AND IS NOT TO BE USED IN ANY WAY DETRIMENTAL TO THE INTERESTS OF PANDUIT CORP.



PANDUIT PART NUMBER	WEIGHT
FLCCLIP-L	.022 lb/50 Pcs [9.81 g/50 Pcs.]

NOTES:

1. SEE CURRENT CATALOG FOR ADDITIONAL PART NUMBER SUFFIXES TO INDICATE COLOR AND OR PACKAGE QUANTITY.
2. SEE CATALOG FOR COMPLETE LIST OF PARTS APPLICABLE FOR USE WITH THIS PART.
3. MATERIAL: PLASTIC
4. ALL MATERIALS AND COMPONENTS USED MEET THE MATERIAL RESTRICTIONS OF RoHS, (EUROPEAN DIRECTIVE 2002/95/EC ON THE RESTRICTION OF HAZARDOUS SUBSTANCES) AS PROPOSED BY THE RoHS TECHNICAL ADAPTATION COMMITTEE.
5. DIMENSIONS IN [] ARE METRIC.



PART NUMBER		FLCCLIP-L	
TITLE		LC CONNECTOR DUPLEX CLIP	
		CUSTOMER DRAWING	
ITEM REVISION NAME		M01371CL/01	PANDUIT
DATASET FILE NAME		M01371CL_DC/01C	
UNLESS OTHERWISE SPECIFIED, DIMENSIONAL TOLERANCES ARE: IN (mm)		MATERIAL:	
.X ±		.XXX ±	
.XX ±		ANGLES ±	
		DRAWING NUMBER:	
		01371-55	
DRAWN BY	DATE	CHK	SCALE
MC	07-26-07		NONE
DESCRIPTION		SHT 1 OF 1	
REV	DATE	BY	SIZE
			A

1	5/19/15	JSP	WJM	RWB	A. REVISED DRAWING TITLE BLOCK.	01371-55
REV	DATE	BY	CHK	APR	DESCRIPTION	ECN

D101000DA/14