



ELECTRONICS, INC.
 44 FARRAND STREET
 BLOOMFIELD, NJ 07003
 (973) 748-5089
<http://www.nteinc.com>

NTE30100 LED – Dual Color High Efficiency Red/Yellow Green T-1 (3mm) Type Package

Features:

- RoHS Compliant
- White Diffused Lens
- Round Head with Flange
- Common Cathode Pin Configuration

Absolute Maximum Ratings: ($T_A = +25^{\circ}\text{C}$ unless otherwise specified)

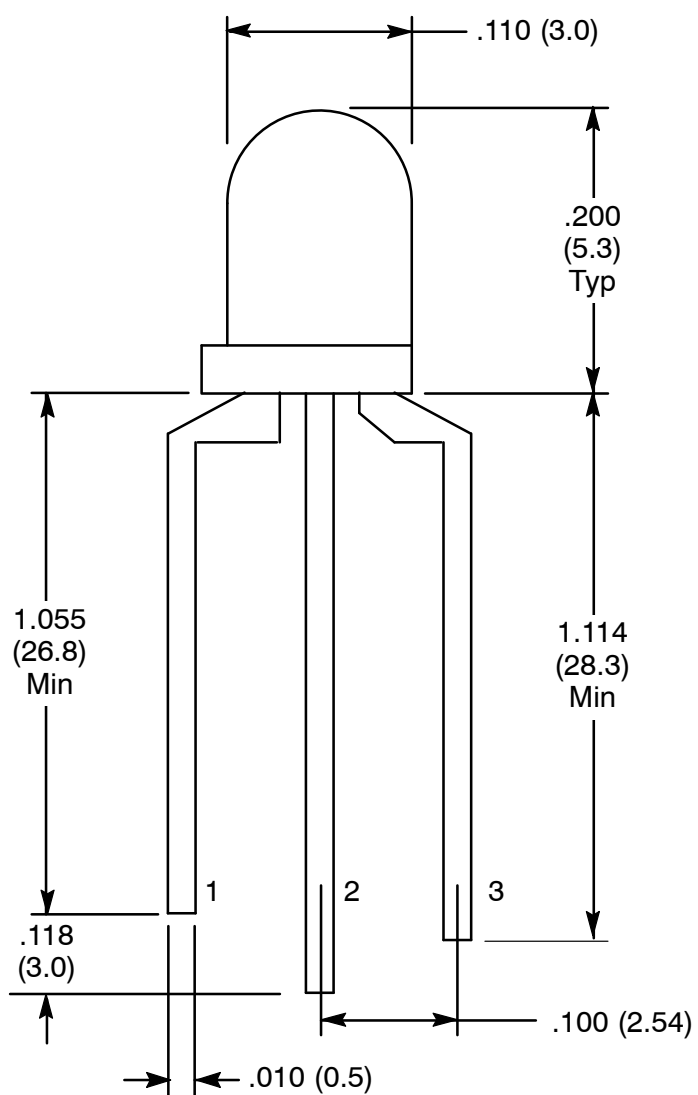
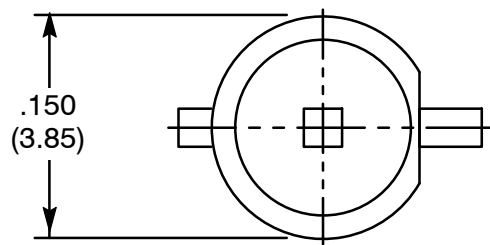
Reverse Current, I_R	100 μA
Peak Forward Current (1kHz, Note 1), I_{FP}	100mA
Derate Linear from $+25^{\circ}\text{C}$	0.4mA/ $^{\circ}\text{C}$
Operating Temperature Range, T_{opr}	-30°C to $+85^{\circ}\text{C}$
Storage Temperature Range, T_{stg}	-30°C to $+85^{\circ}\text{C}$
Lead Temperature (During Soldering, 3mm from body, 5sec max), T_L	$+260^{\circ}\text{C}$

Note 1. Pulse Width $\leq 100\mu\text{s}$, Duty Cycle $\leq 1\%$.

Electro-Optical Characteristics: ($T_A = +25^{\circ}\text{C}$ unless otherwise specified)

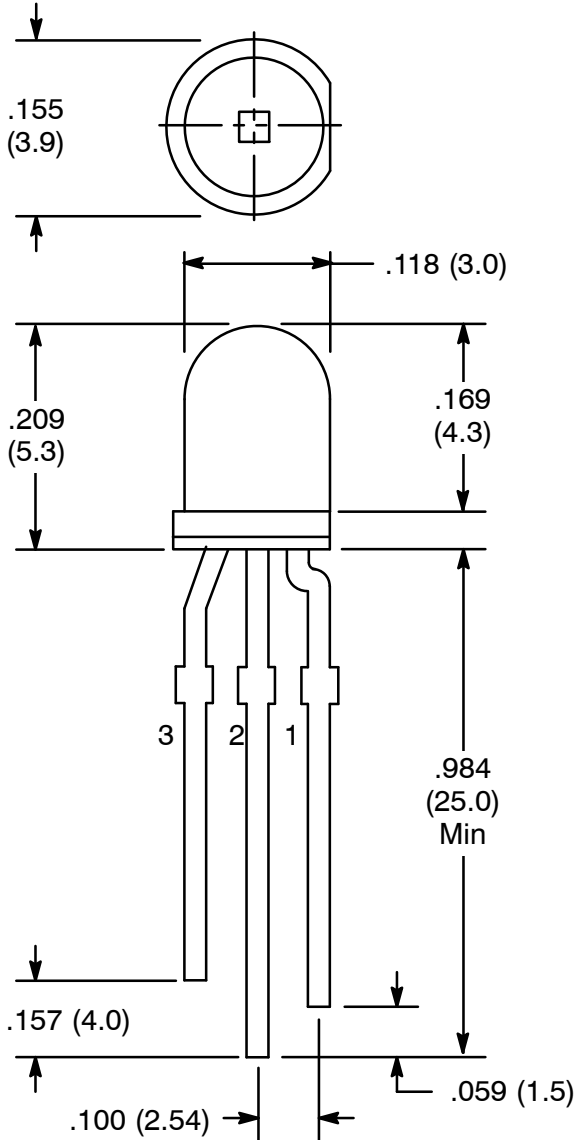
Parameter	Symbol	Test Conditions	Min	Typ	Max	Unit
Beam Angle	$2\ \Theta_{1/2}$		–	40	–	deg
Forward Voltage	V_F	$I_F = 20\text{mA}$	2.0	–	2.2	V
Luminous Intensity	I_V	$I_F = 20\text{mA}$	150	200	250	mcd
High Efficiency Red						
Yellow-Green			60	80	100	mcd
Peak Emission Wavelength	λ_p		630	–	635	nm
High Efficiency Red						
Yellow-Green			565	570	575	nm





- 1. Yellow Green +
- 2. Common Cathode Lead -
- 3. Red +

Alternate Package



- 1. Red +
- 2. Common Cathode Lead -
- 3. Yellow Green +