

General Specifications

Motor Structure: Capacitor-Run Induction Motor
Motor Protection: Thermal Protection
Insulation Resistance:
 100M Ω or over with a DC500V Megger
Dielectric Withstand Voltage: AC 1800V 3s
Allowable Ambient Temperature Range:
 -10°C ~ +60°C (Operating)
 -40°C ~ +70°C (Storage)
 (non-condensing environment)

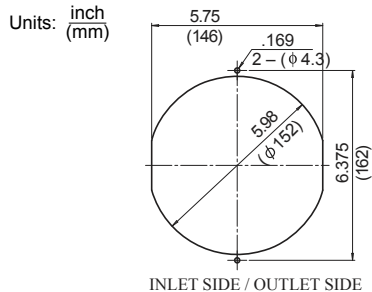
Expected Life

Failure Rate: 10%
 25°C 50,000 Hours

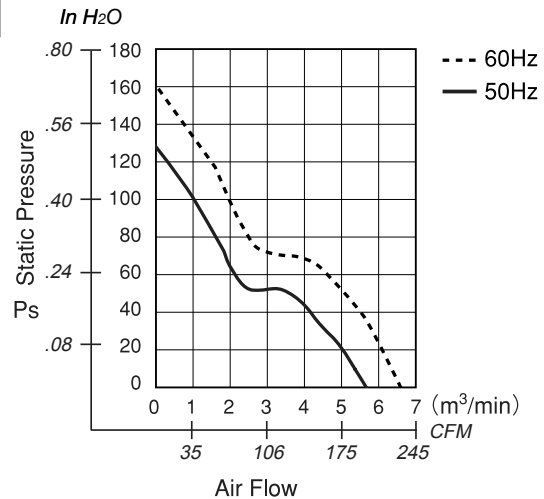
Material

Casing : Aluminum
Impeller : Steel
Bearing : Ball Bearing
Terminal : Faston #110 or equivalent

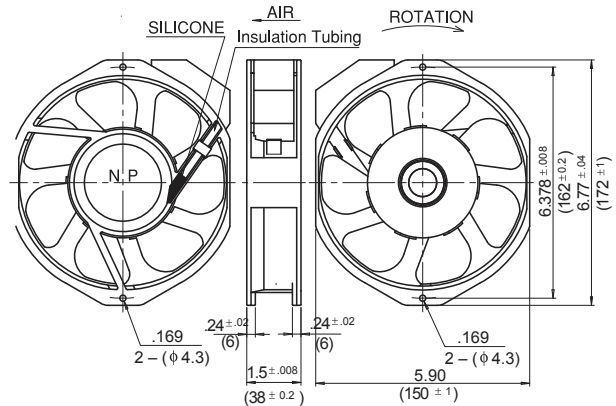
Panel Cut-Outs



Characteristic Curves



Outline



Specifications

MODEL	Rated Voltage	Frequency	Starting Voltage	Current	Input Power	Speed	Max. Air Flow		Max. Static Pressure		Noise	Mass
	(V)	(Hz)	(V)	(A) ¹	(W) ¹	(min ⁻¹) ³	CFM	(m ³ /min) ³	in H ₂ O	(Pa) ³	(dB) ²	(g)
5915PC-10T-B30-SM0	100	50	65	0.530	42.0	2650	187.10	5.30	0.510	127.5	48	950
5915PC-10T-B30-SM0	100	60	65	0.450	40.0	3150	222.39	6.30	0.655	163.8	53	950
5915PC-12T-B30-SM0	115	50	75	0.450	40.0	2650	187.10	5.30	0.510	127.5	48	950
5915PC-12T-B30-SM0	115	60	75	0.400	38.0	3150	222.39	6.30	0.655	163.8	53	950
5915PC-20T-B30-SM0	200	50	130	0.250	42.0	2650	187.10	5.30	0.510	127.5	48	900
5915PC-20T-B30-SM0	200	60	130	0.230	40.0	3150	222.39	6.30	0.655	163.8	53	950
5915PC-22T-B30-SM0	220	50	145	0.250	42.0	2650	187.10	5.30	0.510	127.5	48	900
5915PC-22T-B30-SM0	220	60	145	0.230	40.0	3150	222.39	6.30	0.655	163.8	53	950
5915PC-23T-B30-SM0	230	50	150	0.220	42.0	2650	187.10	5.30	0.510	127.5	48	950
5915PC-23T-B30-SM0	230	60	150	0.200	40.0	3150	222.39	6.30	0.655	163.8	53	950
5915PC-24T-B30-SM0	240	50	155	0.200	39.0	2650	187.10	5.30	0.510	127.5	48	950
5915PC-24T-B30-SM0	240	60	155	0.200	39.0	3150	222.39	6.30	0.655	163.8	53	950

Rotation: Counterclockwise

Airflow Outlet: Air Out Over Struts

*1: Maximum Values in Free Air

*2: Average Values in Free Air

*3: Minimum Values in Free Air