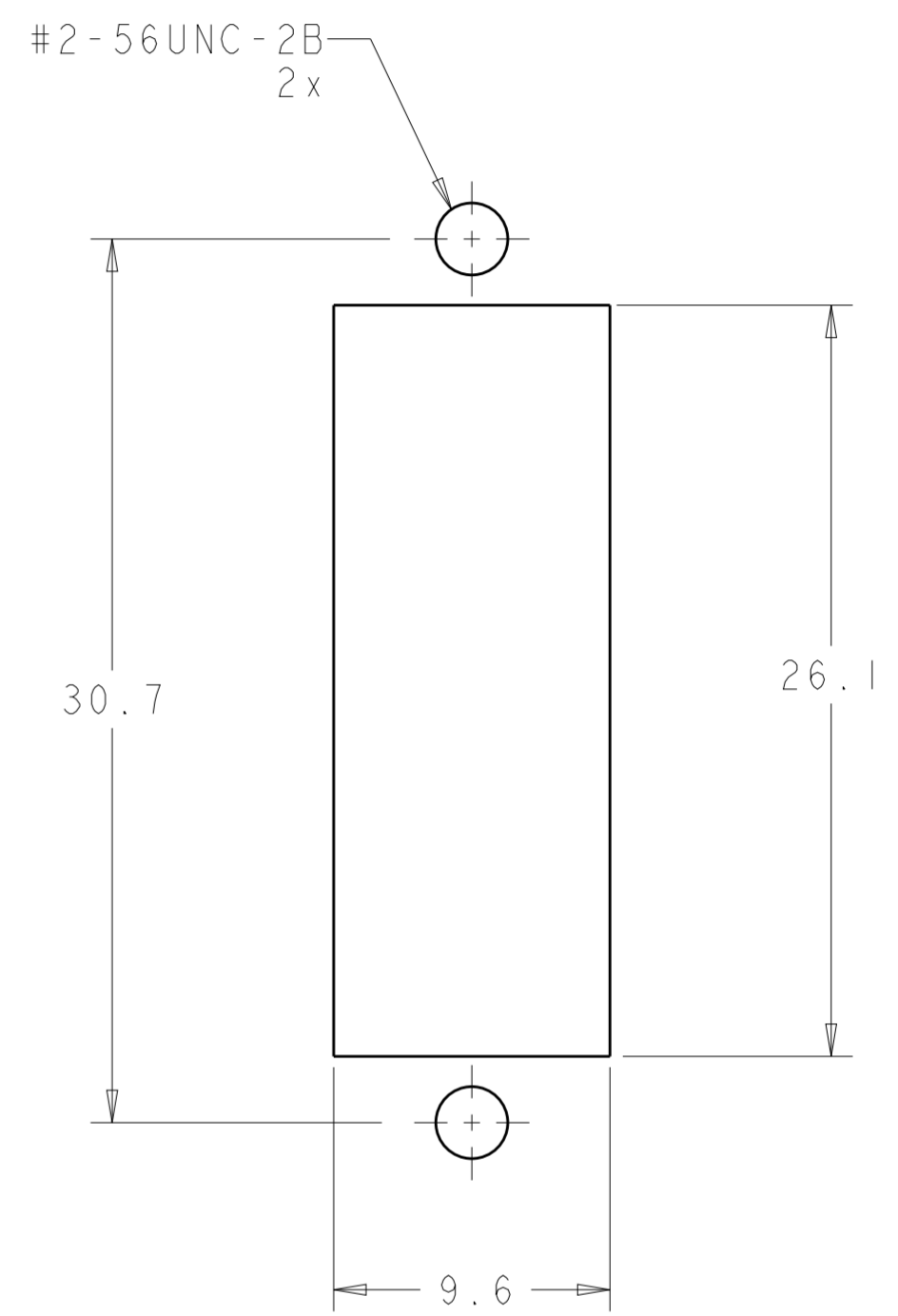
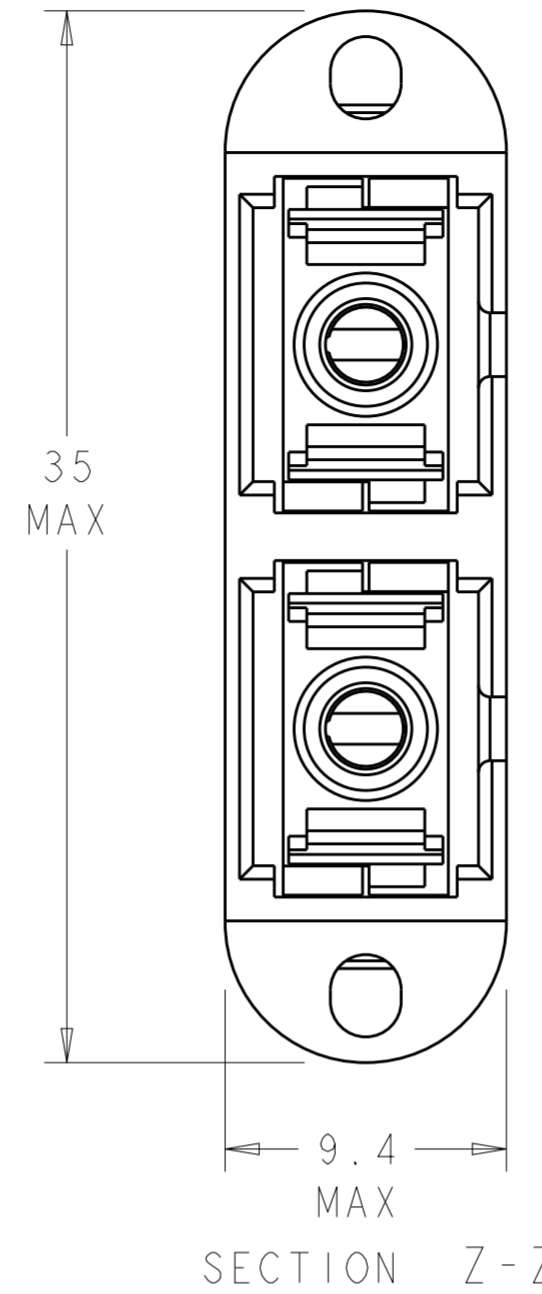
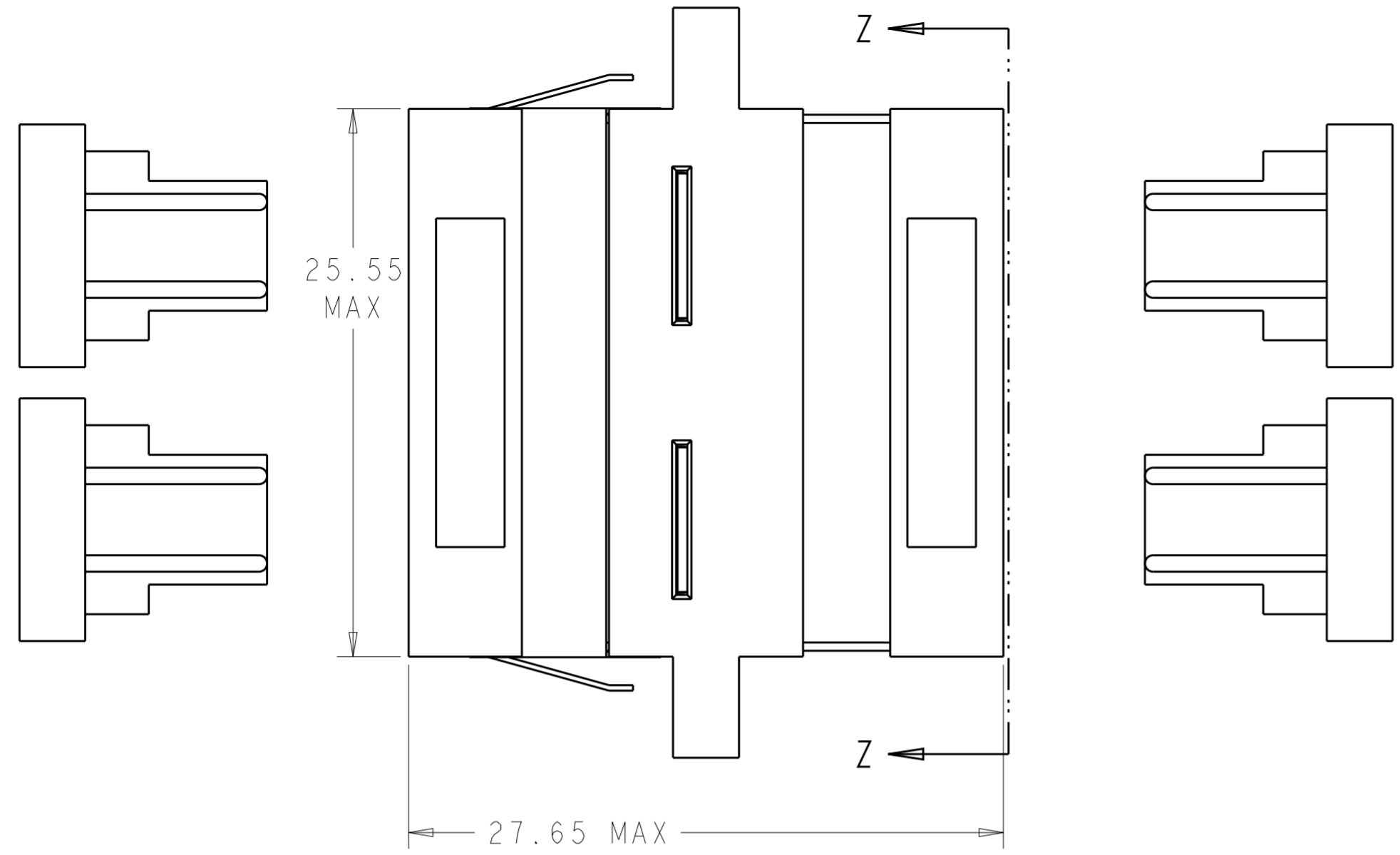


THIS DRAWING IS UNPUBLISHED. RELEASED FOR PUBLICATION 20  
 © COPYRIGHT 20 BY TYCO ELECTRONICS CORPORATION. ALL RIGHTS RESERVED.

LOC	DIST	REVISIONS					
CE	00	P	LTR	DESCRIPTION	DATE	DWN	APVD
		K		REVISE PER 0A00-0547-04	08NOV2004	BB	SM
		L		REVISE PER ECR-08-000844	23JAN2008	BB	SM
		M		REVISE PER ECO-12-019408	08NOV2012	JM	TE

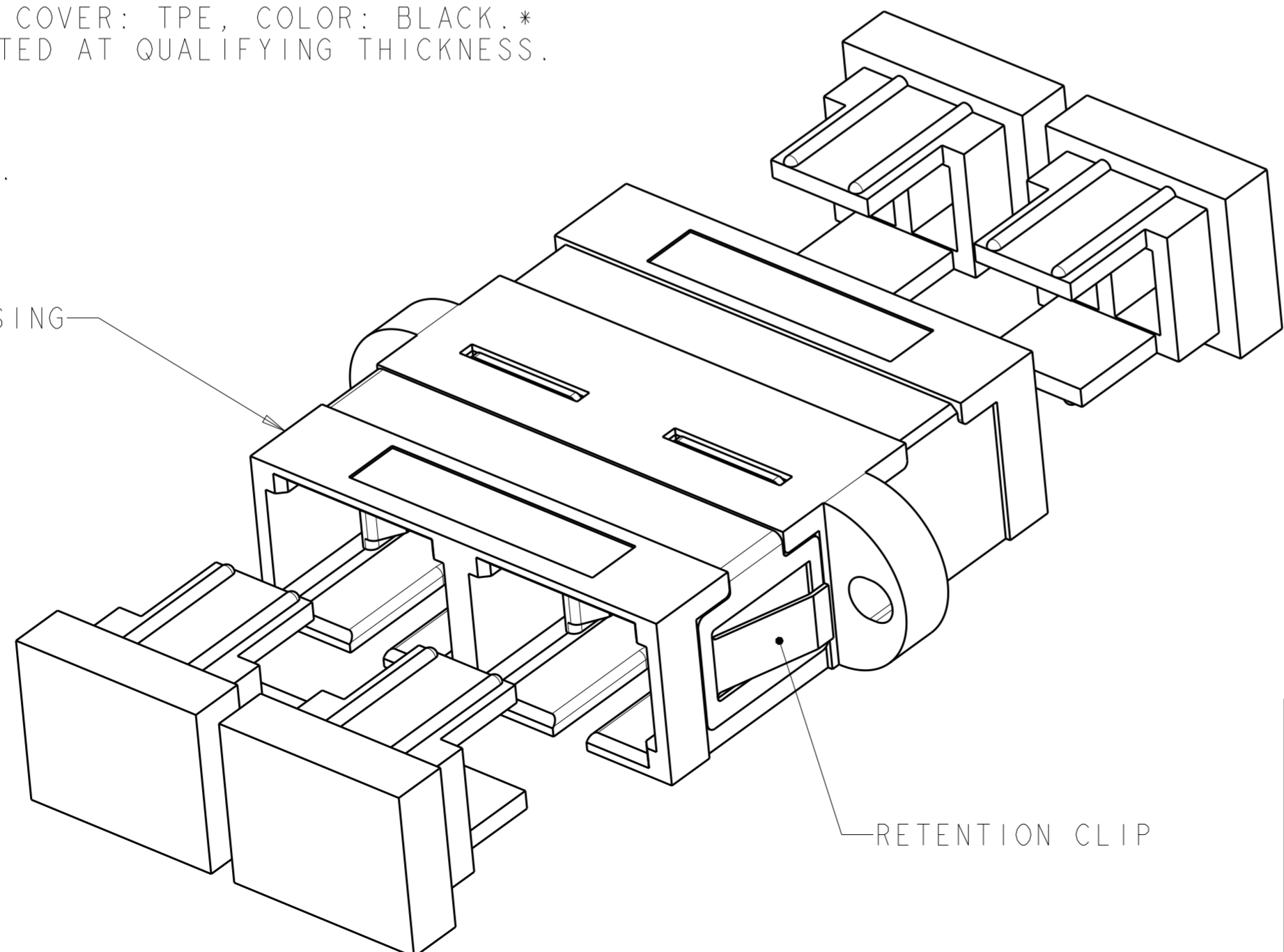


SUGGESTED PANEL CUTOUT  
 MAX PANEL THICKNESS 1.7

1 MATERIAL:  
 HOUSING: PBT-GF30, SEE DASH NUMBERS FOR COLOR.\*  
 RETAINER: PEI-GF30, COLOR: BLACK.\*  
 RETENTION CLIP: STAINLESS STEEL.  
 ALIGNMENT SLEEVE: METAL.  
 PROTECTIVE COVER: TPE, COLOR: BLACK.\*  
 \*UL94 V-0 RATED AT QUALIFYING THICKNESS.

2 BULK PACKAGE.

DUPLEX HOUSING



RETENTION CLIP

OBSELETE	RETENTION CLIP	BLACK	504640-4
OBSELETE	NONE	LT ALMOND	504640-3
OBSELETE	RETENTION CLIP	BEIGE	504640-2
OBSELETE	RETENTION CLIP	BEIGE	504640-1
	INCLUDED HARDWARE	COLOR	PART NUMBER

DIMENSIONS:		TOLERANCES UNLESS OTHERWISE SPECIFIED:		DWN		Tyco Electronics	
mm		0 PLC	±	B. BRIGGS	08NOV2004	Tyco Electronics Harrisburg, PA 17105-3608	
		1 PLC	±0.1	CHK	08NOV2004	NAME	
		2 PLC	±0.05	S. MILLER	08NOV2004	RECEPTACLE ASSEMBLY, DUPLEX, AMP SC TO SC, MULTIMODE	
		3 PLC	±	APVD	08NOV2004	SIZE	CAGE CODE
		4 PLC	±	S. BUCHTER	08NOV2004	A2	00779
		ANGLES	±	PRODUCT SPEC		DRAWING NO	C-504640
		FINISH	±	APPLICATION SPEC		RESTRICTED TO	
MATERIAL	1			WEIGHT	-	SCALE	4:1
				CUSTOMER DRAWING		SHEET	1 OF 1
						REV	M