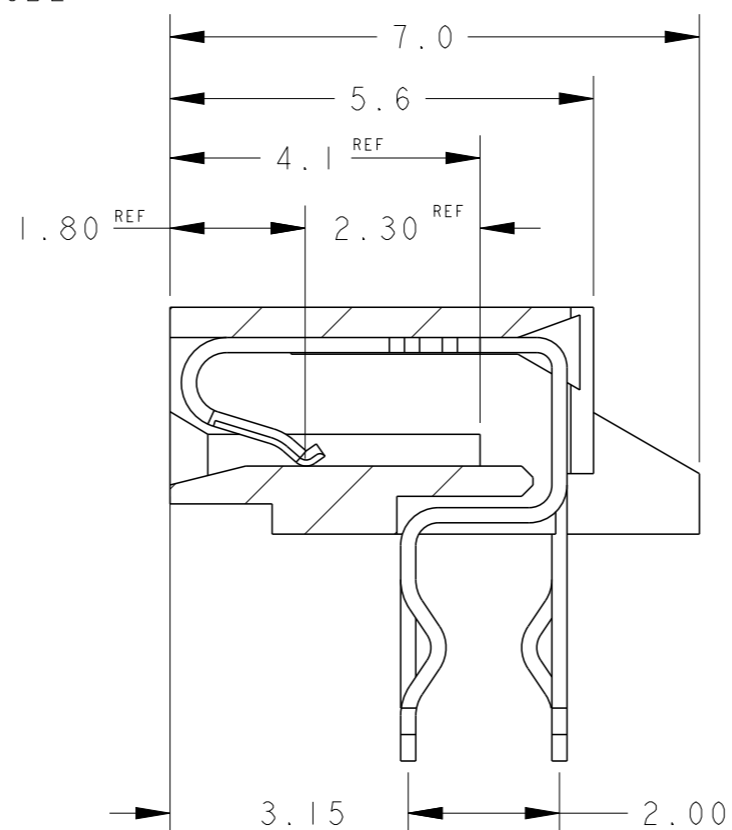
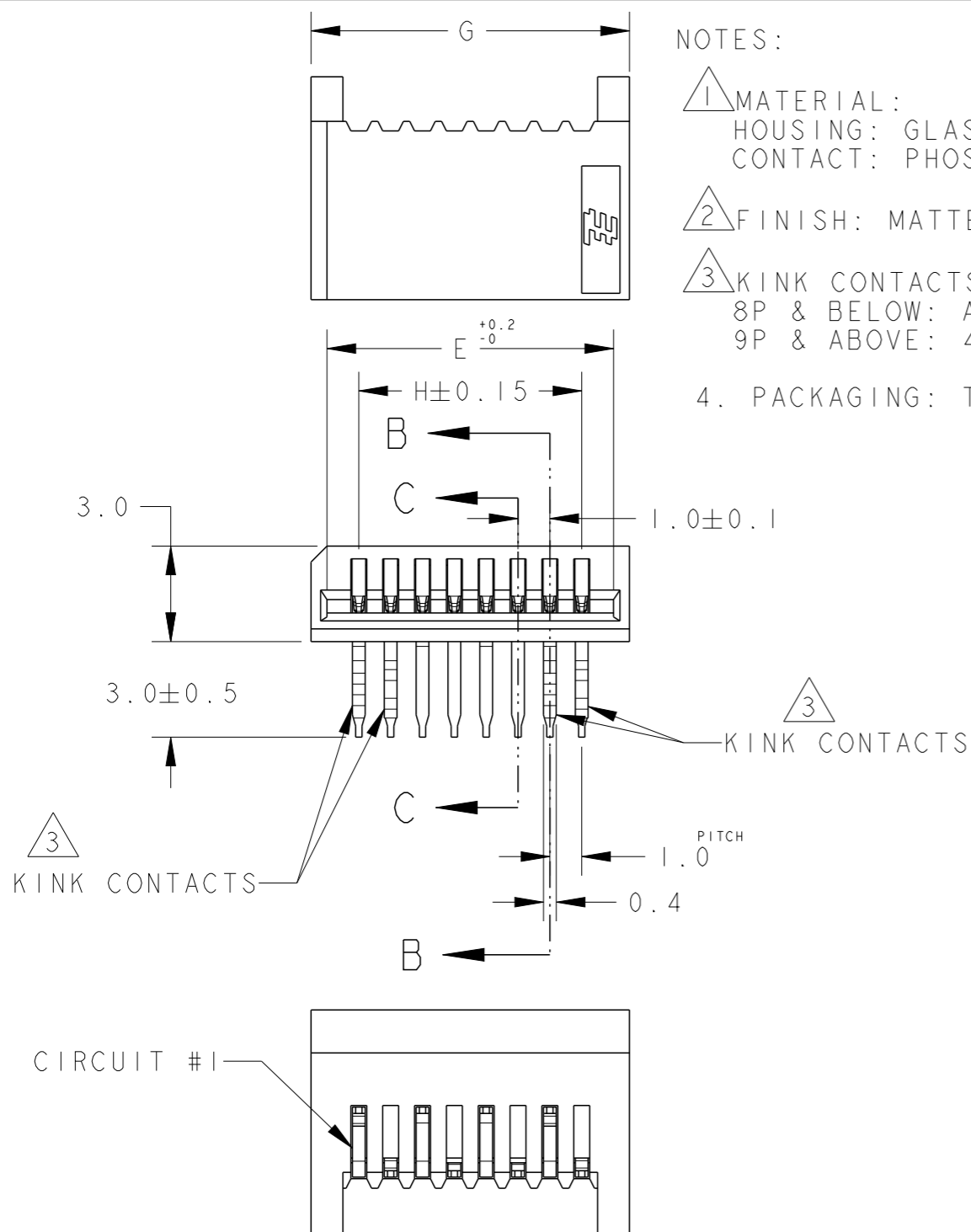


P	LTR	DESCRIPTION	DATE	DWN	APVD
G		REVISED ECR-18-007198	9MAY18	HX	WH

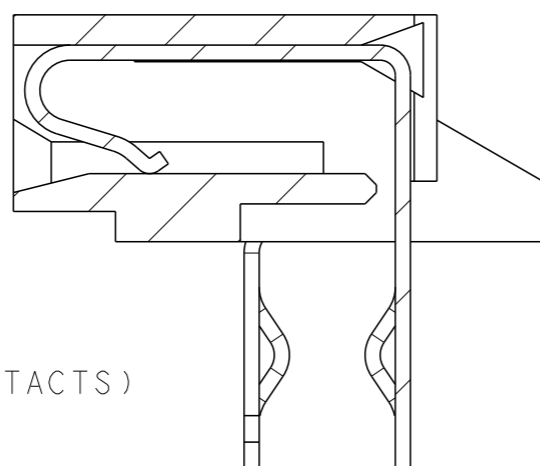
NOTES:

- 1 MATERIAL:  
HOUSING: GLASS FILLED PBT, NATURAL COLOR (WHITE)  
CONTACT: PHOSPHOR BRONZE
- 2 FINISH: MATTE TIN OVER NICKEL UNDERPLATE
- 3 KINK CONTACTS LOCATION:  
8P & BELOW: ALL POSITIONS  
9P & ABOVE: 4 CONTACTS (2 PAIRS) EACH END
- 4. PACKAGING: TUBE




SECTION B-B  
(FOR EVEN POSITION CONTACTS)  
SCALE 10:1

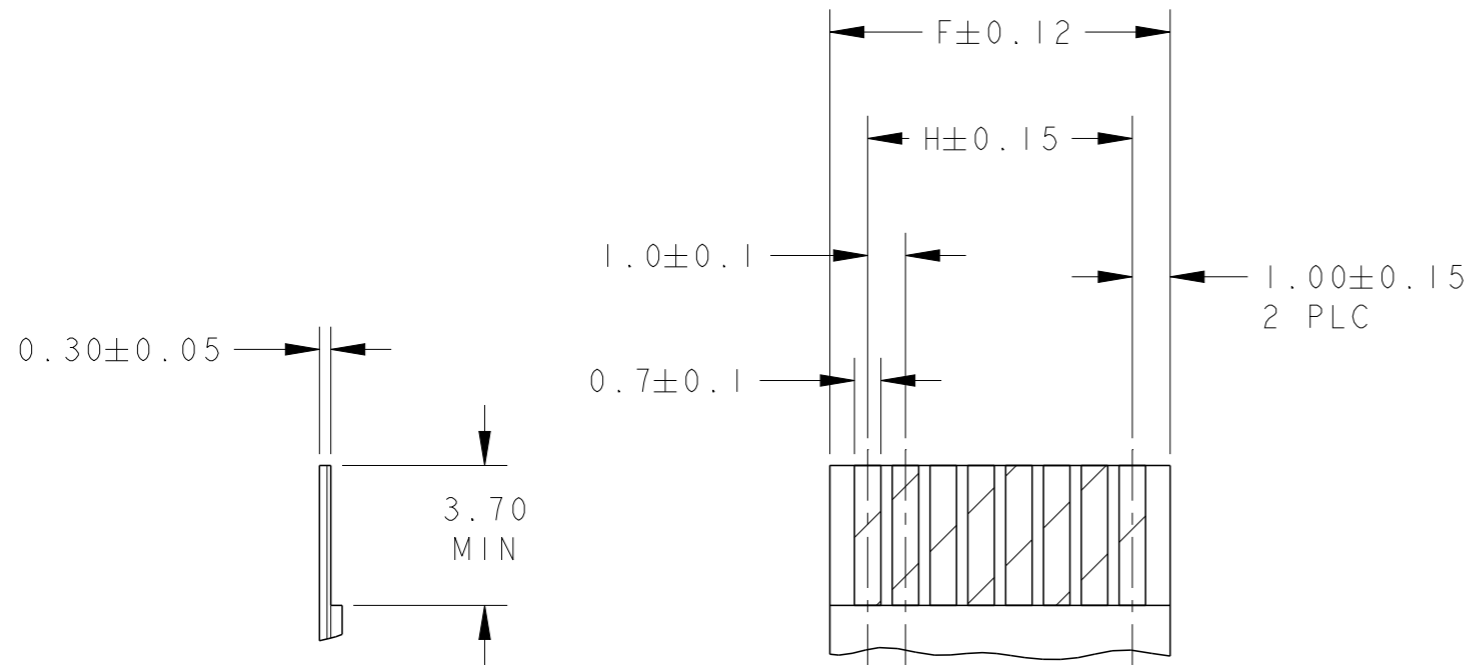
SECTION C-C  
(FOR ODD POSITION CONTACTS)  
SCALE 10:1



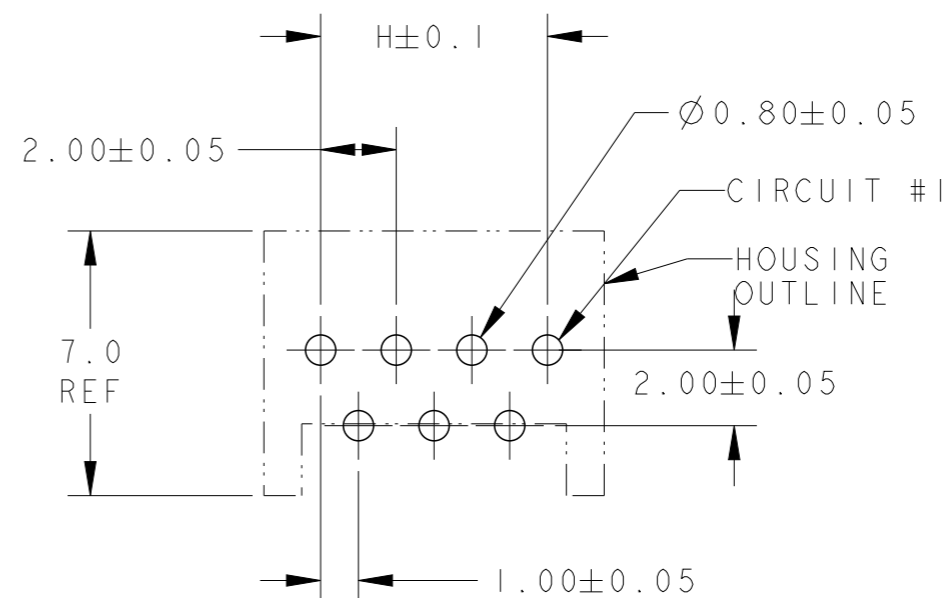
29.00	32.00	31.00	31.00	30	3-84983-0
28.00	31.00	30.00	30.00	29	2- $\uparrow$ -9
27.00	30.00	29.00	29.00	28	2--8
26.00	29.00	28.00	28.00	27	2--7
25.00	28.00	27.00	27.00	26	2--6
24.00	27.00	26.00	26.00	25	2--5
23.00	26.00	25.00	25.00	24	2--4
22.00	25.00	24.00	24.00	23	2--3
21.00	24.00	23.00	23.00	22	2--2
20.00	23.00	22.00	22.00	21	2--1
19.00	22.00	21.00	21.00	20	2-84983-0
18.00	21.00	20.00	20.00	19	1- $\uparrow$ -9
17.00	20.00	19.00	19.00	18	1--8
16.00	19.00	18.00	18.00	17	1--7
15.00	18.00	17.00	17.00	16	1--6
14.00	17.00	16.00	16.00	15	1--5
13.00	16.00	15.00	15.00	14	1--4
12.00	15.00	14.00	14.00	13	1--3
11.00	14.00	13.00	13.00	12	1--2
10.00	13.00	12.00	12.00	11	1--1
9.00	12.00	11.00	11.00	10	1-84983-0
8.00	11.00	10.00	10.00	9	$\uparrow$ -9
7.00	10.00	9.00	9.00	8	-8
6.00	9.00	8.00	8.00	7	-7
5.00	8.00	7.00	7.00	6	-6
4.00	7.00	6.00	6.00	5	-5
3.00	6.00	5.00	5.00	4	84983-4
H	G	F	E	POS.	PART NO.

THIS DRAWING IS A CONTROLLED DOCUMENT.		DWN WYLEE 15JUN04	 TE Connectivity		
DIMENSIONS: mm		CHK LP TAN			
TOLERANCES UNLESS OTHERWISE SPECIFIED:		APVD SF LEONG	NAME ASSY, 1.00mm FFC CONN DIP, H		
0 PLC $\pm 0.30$		PRODUCT SPEC 108-51058	SIZE A300779 C-84983		
1 PLC $\pm 0.30$		APPLICATION SPEC -	CAGE CODE -		
2 PLC $\pm 0.30$		WEIGHT -	DRAWING NO -		
3 PLC $\pm$		CUSTOMER DRAWING	RESTRICTED TO -		
4 PLC $\pm$					
ANGLES $\pm 3^\circ$		SCALE 5:1	SHEET 1 OF 2	REV G	
MATERIAL 1					
FINISH 2					

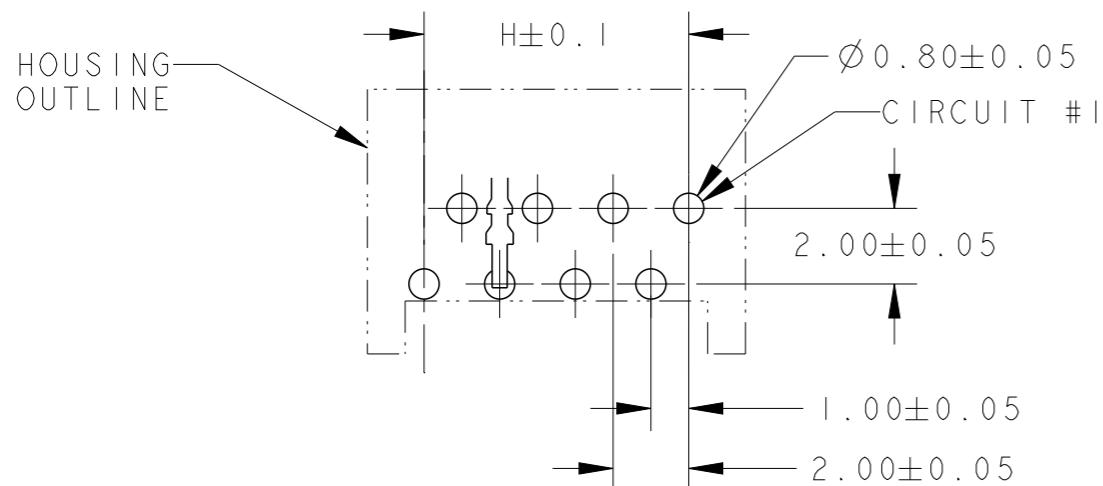
P	LTR	DESCRIPTION	DATE	DWN	APVD
		SEE SHEET 1			




RECOMMENDED FFC/FPC



RECOMMENDED PCB LAYOUT (THK= 1.6±0.1) (FOR ODD POSITION CONNECTORS) NON-ACCUMULATIVE TOLERANCE



RECOMMENDED PCB LAYOUT (THK= 1.6±0.1) (FOR EVEN POSITION CONNECTORS) NON-ACCUMULATIVE TOLERANCE

THIS DRAWING IS A CONTROLLED DOCUMENT.		DWN WYLEE 15JUN04	 TE Connectivity					
DIMENSIONS: mm		CHK LP TAN						
TOLERANCES UNLESS OTHERWISE SPECIFIED:		APVD SF LEONG	NAME ASSY, 1.00mm FFC CONN DIP, H					
0 PLC ±0.30 1 PLC ±0.30 2 PLC ±0.30 3 PLC ± 4 PLC ± ANGLES ±3°		PRODUCT SPEC -	SIZE A300779	CAGE CODE C-84983	DRAWING NO	RESTRICTED TO		
MATERIAL 1		FINISH 2	WEIGHT -		SCALE 5:1		SHEET 2 OF 2	REV G
CUSTOMER DRAWING								