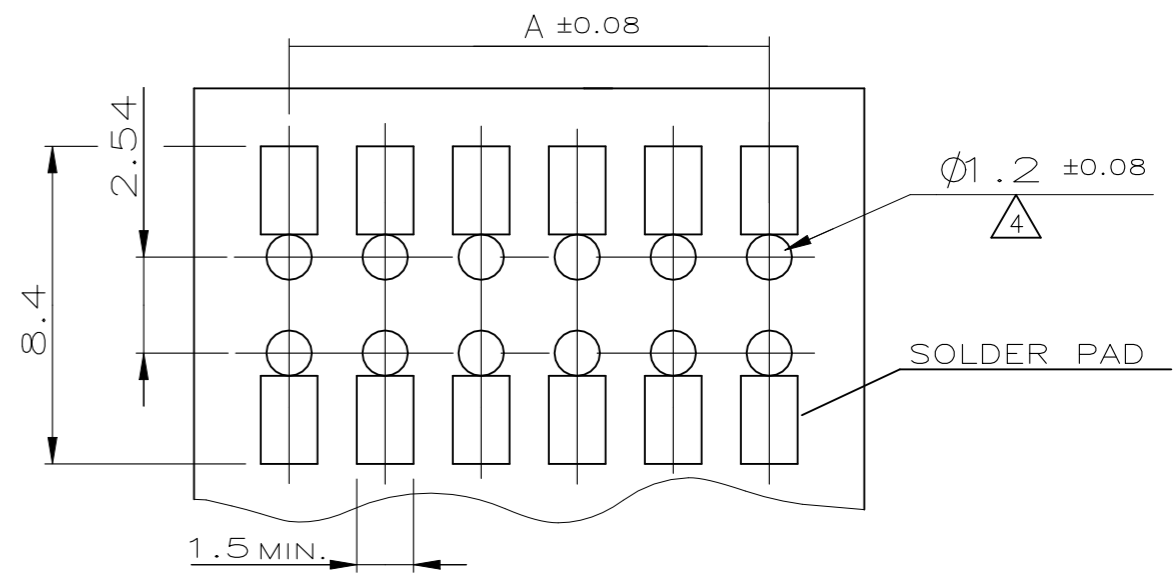
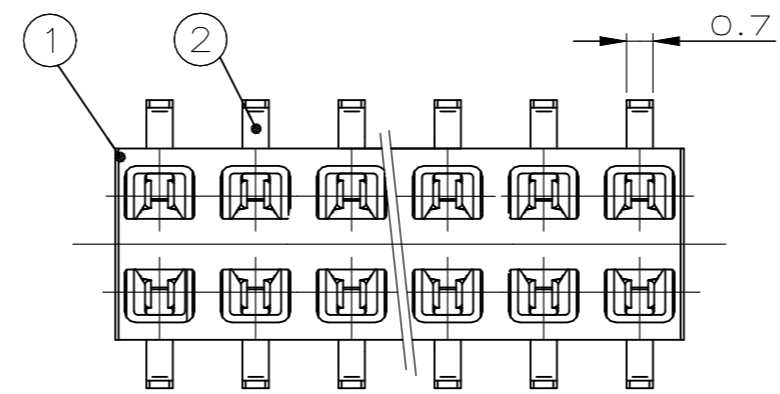
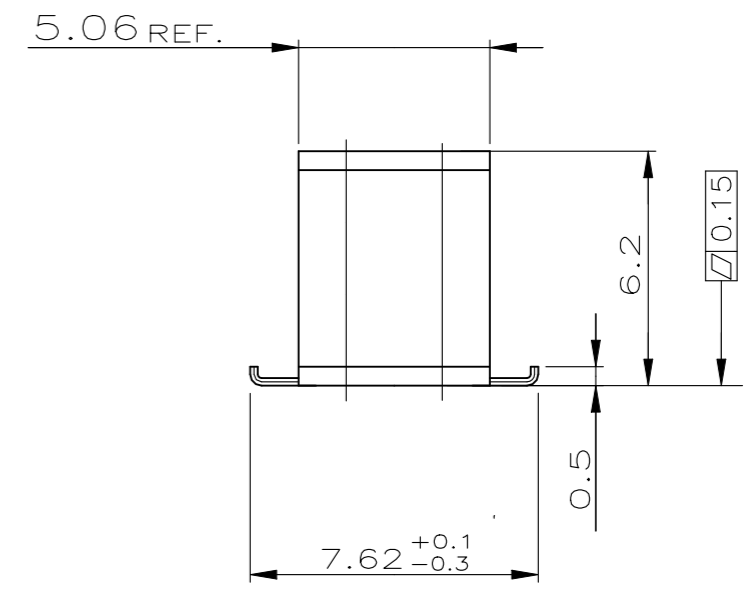
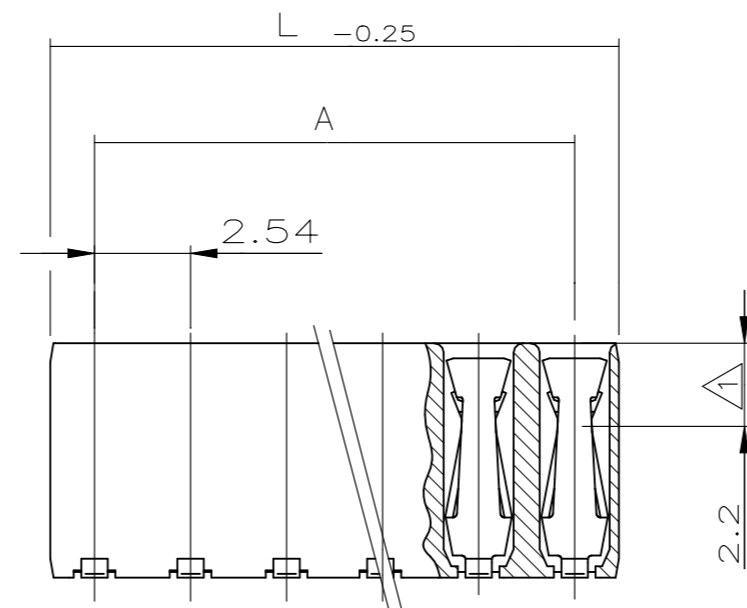


REVISIONS					
P	LTR	DESCRIPTION	DATE	DWN	APVD
	A4	DRAFTING ERROR CORRECTION	08FEB2023	AJK	SPS

POS. PER ROW	L -0.25	A	PART NUMBER
3	7.42	5.08	1355347-3
4	9.96	7.62	1355347-4
5	12.50	10.16	1355347-5
6	15.04	12.70	1355347-6
7	17.58	15.24	1355347-7
8	20.12	17.78	1355347-8
9	22.66	20.32	1355347-9
10	25.20	22.86	1-1355347-0
11	27.74	25.40	1-1355347-1
12	30.28	27.94	1-1355347-2
13	32.82	30.48	1-1355347-3
14	35.36	33.02	1-1355347-4
15	37.90	35.56	1-1355347-5
16	40.44	38.10	1-1355347-6
17	42.98	40.64	1-1355347-7
18	45.52	43.18	1-1355347-8
19	48.06	45.72	1-1355347-9
20	50.60	48.26	2-1355347-0



NOTES:

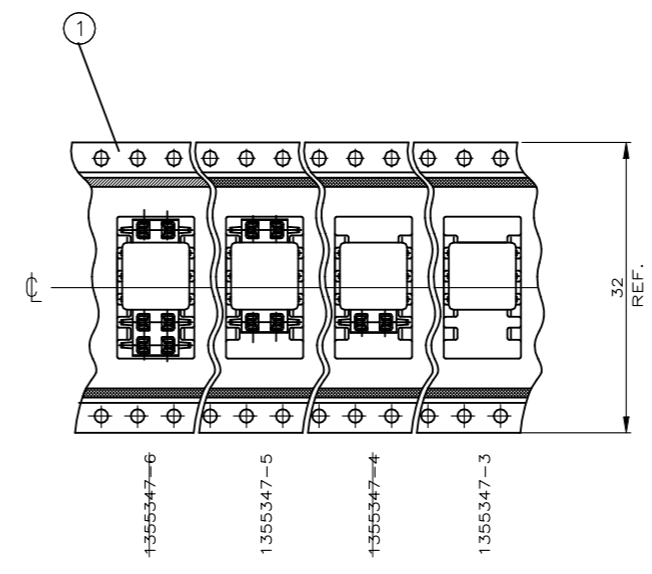
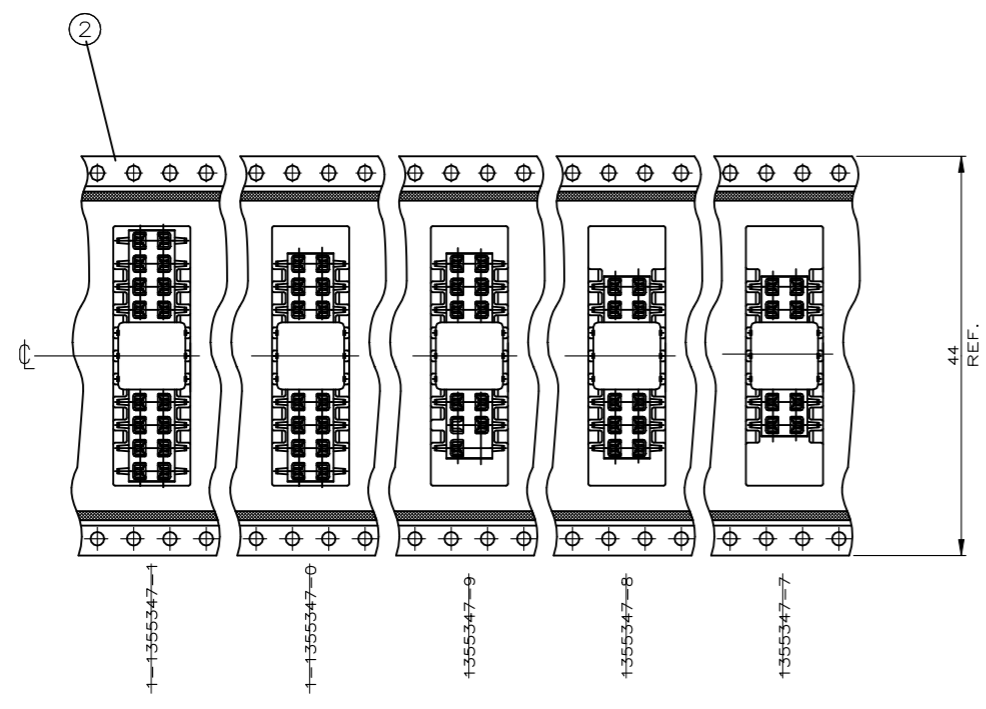
- 1 POINT OF CONTACT
- 2. MATEABLE WITH MODU II PINS $\phi 0.63$ OR $\square 0.63$ TOP OR BOTTOM ENTRY
- 3. CUTTING-AREA OF THE CONTACT PLAIN
- 4 ONLY AT BOTTOM ENTRY
- 5. RECEPTACLE CONNECTOR PACKED IN BLISTER: SEE 3 OF 3
- 6 PLATING: $2.5\mu m - 4.0\mu m$ TIN OVER $0.5 - 1.0\mu m$ Ni

THIS DRAWING IS A CONTROLLED DOCUMENT.				DWN T.BERGNER 06FEB2023		TE Connectivity	
DIMENSIONS: mm				CHK M.SCHAARSCHMIDT 18-OCT-99			
TOLERANCES UNLESS OTHERWISE SPECIFIED:				APVD G.FELDMEIER 18-OCT-99		NAME	
0 PLC ± 0.2 1 PLC ± 0.1 2 PLC ± 0.1 3 PLC ± - 4 PLC ± - ANGLES ± 3°				PRODUCT SPEC		SIZE	
MATERIAL SEE TABLE				FINISH SEE TABLE		CAGE CODE	
SEE TABLE				SEE TABLE		DRAWING NO	
ORDER NO				ITEM NO.		RESTRICTED TO	
WORDING ITEM				MATERIAL		A3 00779 C-1355347	
SURFACE COLOR				CUSTOMER DRAWING		SCALE 5:1	
SEE TABLE				SEE TABLE		SHEET 1 OF 3	
SEE TABLE				SEE TABLE		REV A4	

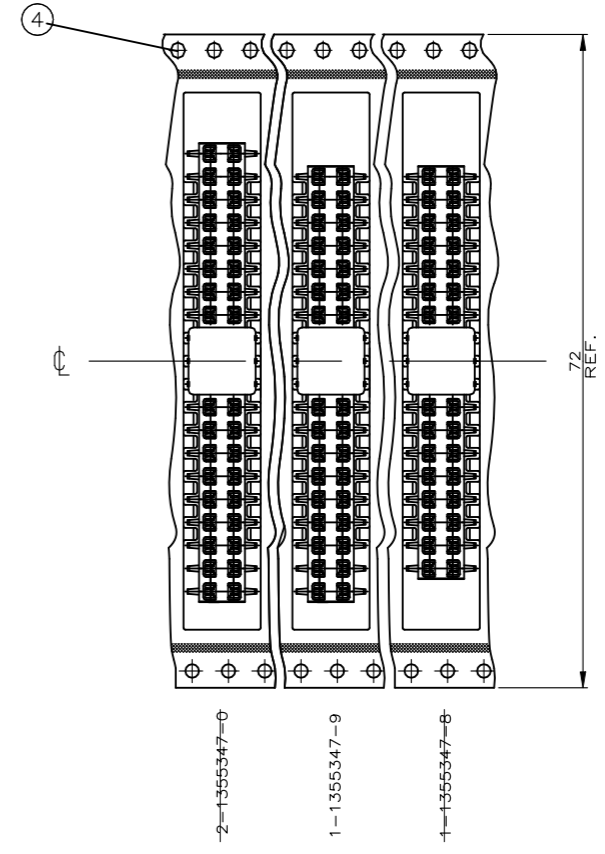
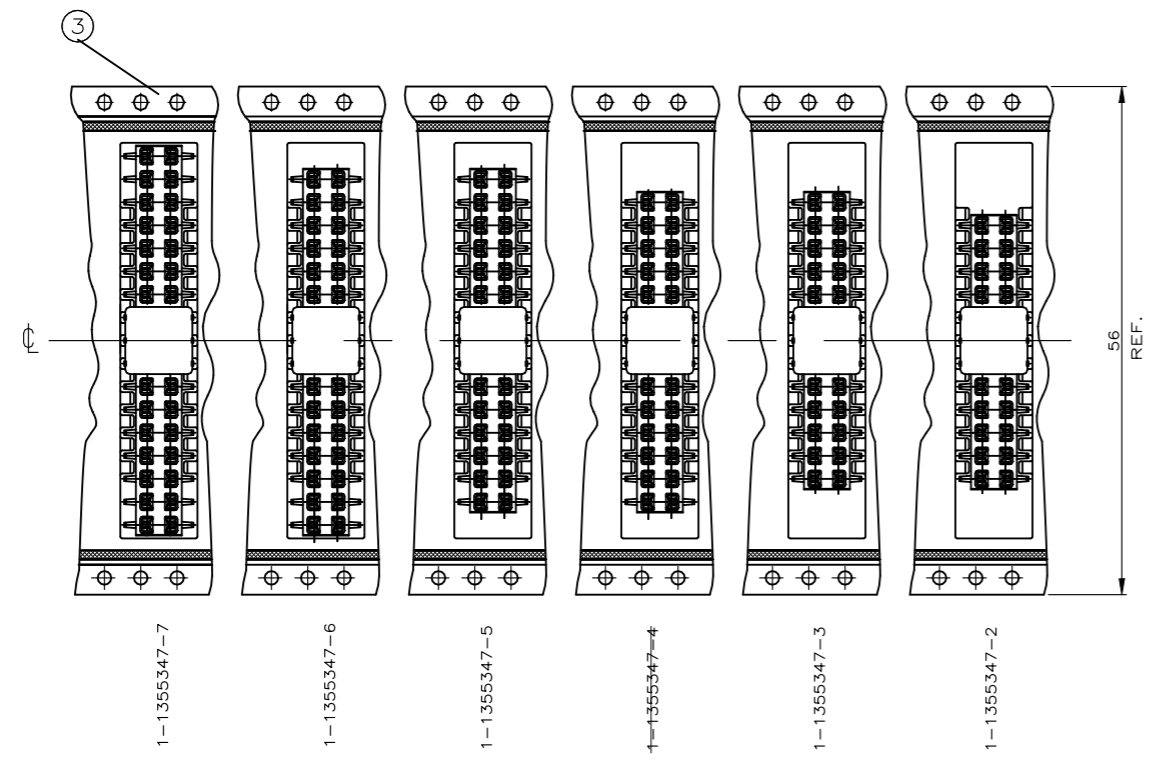
REVISIONS

P	LTR	DESCRIPTION	DATE	DWN	APVD
-	-	SEE SHEET 1	-	-	-

DETAIL X



DIRECTION OF THE TOP OF THE REEL



740669-4	④
740713-1	③
740669-2	②
740715-1	①
BLISTER PN:	ITEM

THIS DRAWING IS A CONTROLLED DOCUMENT.

DIMENSIONS:	TOLERANCES UNLESS OTHERWISE SPECIFIED:
mm	
	0 PLC ± 0.2
	1 PLC ± 0.1
	2 PLC ± 0.1
	3 PLC ± -
	4 PLC ± -
	ANGLES ± 3°
MATERIAL	FINISH
SEE TABLE	SEE TABLE

DWN	T.BERGNER	18-OCT-99
CHK	M.SCHAARSCHMIDT	18-OCT-99
APVD	G.FELDMEIER	18-OCT-99
PRODUCT SPEC	NAME	
APPLICATION SPEC	SIZE	
WEIGHT	CAGE CODE	
CUSTOMER DRAWING		



HV100 RECEPT.CONNECTOR,DUAL ROW, SMD,PACKED IN BLISTER,TIN VERSION

NAME	SIZE	CAGE CODE	DRAWING NO	RESTRICTED TO
	A3	00779	C-1355347	-
SCALE	SHEET	REV		
5:1	3 OF 3	A4		