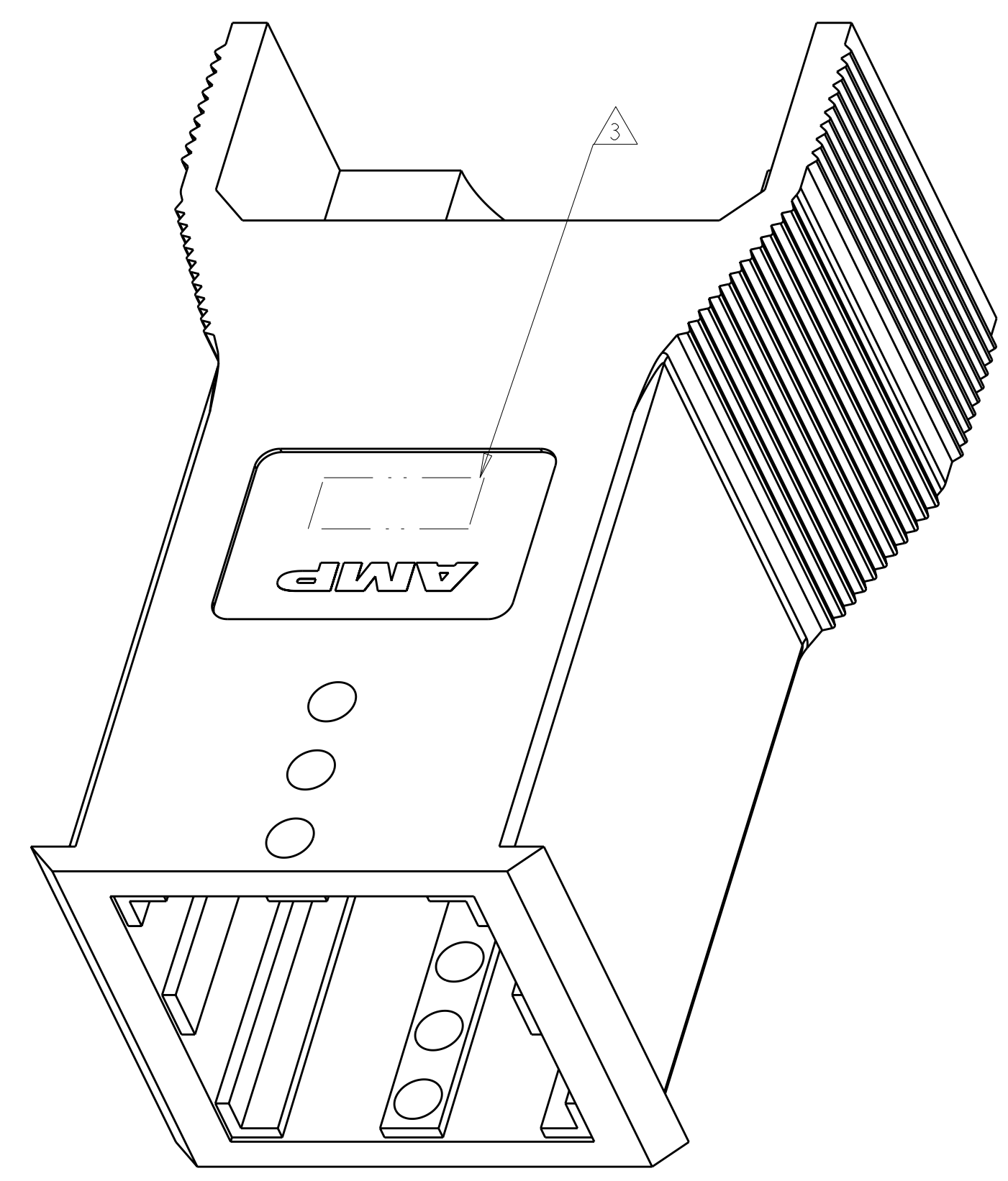
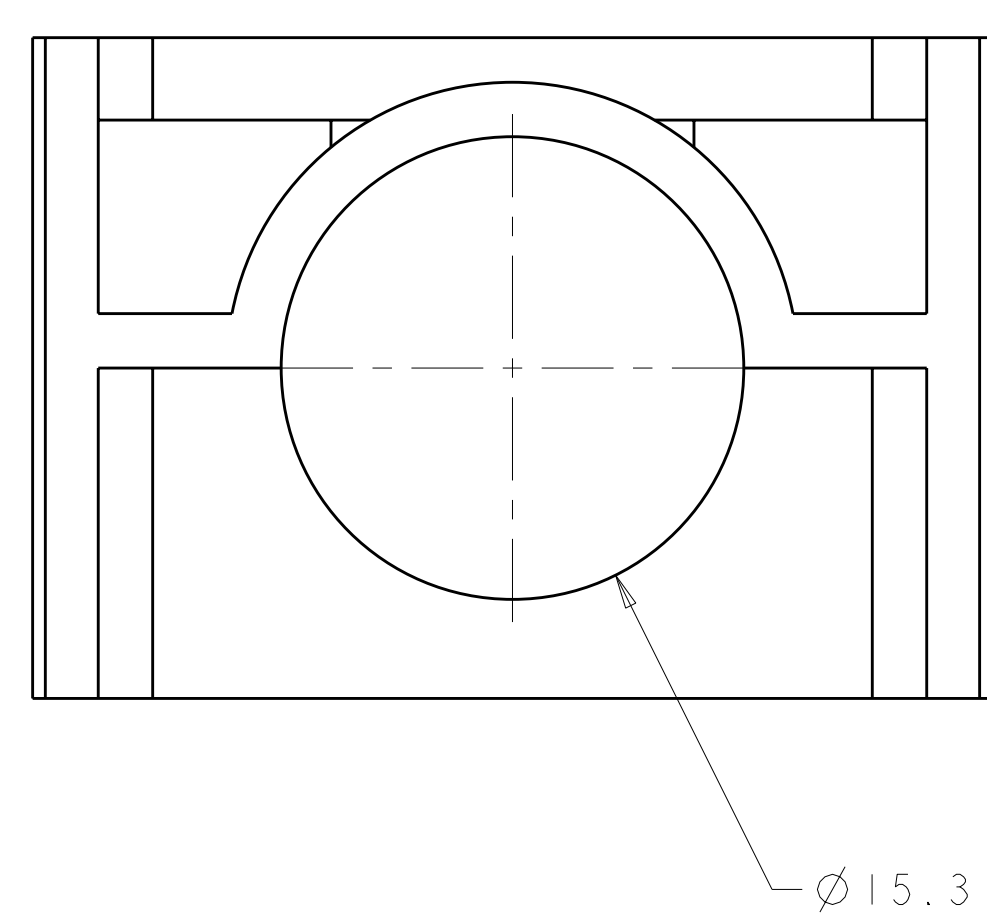
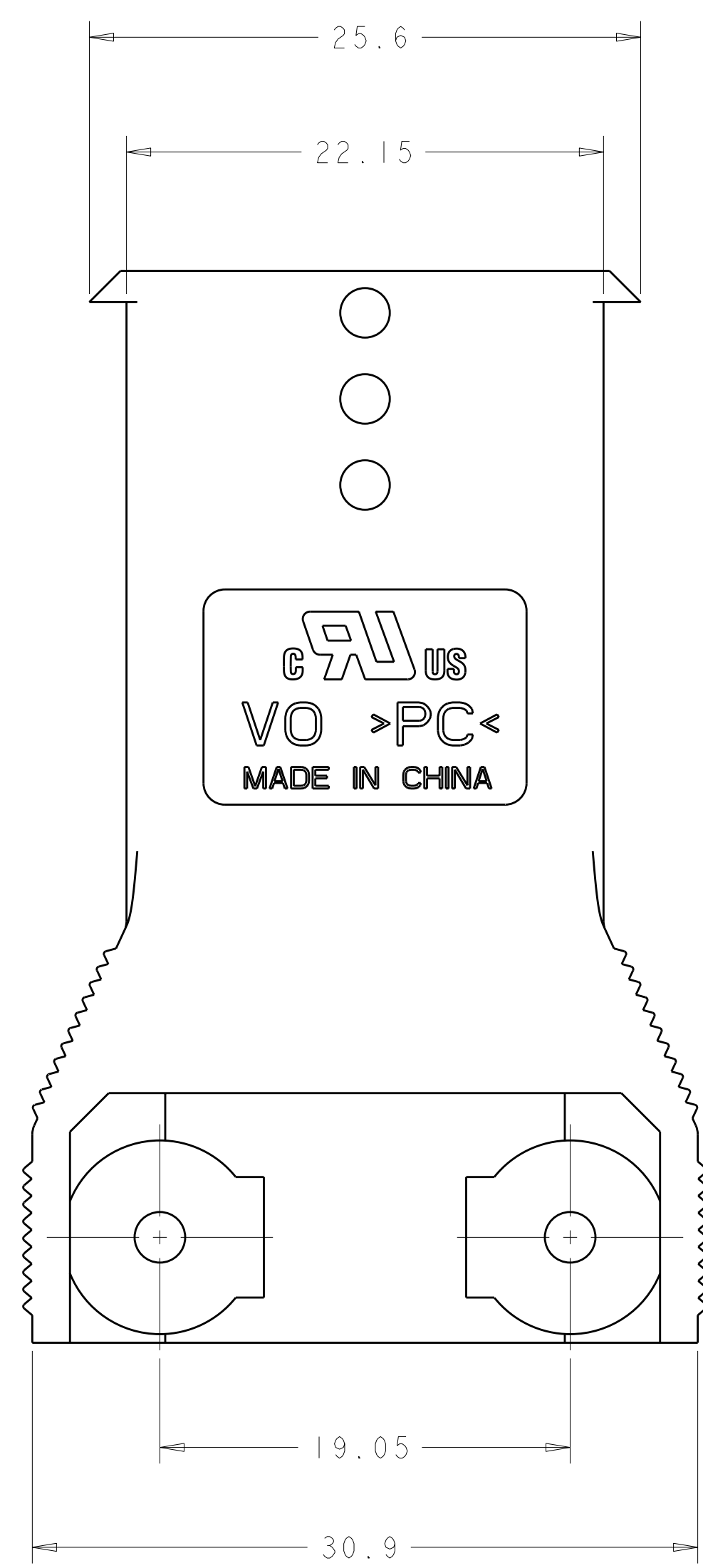
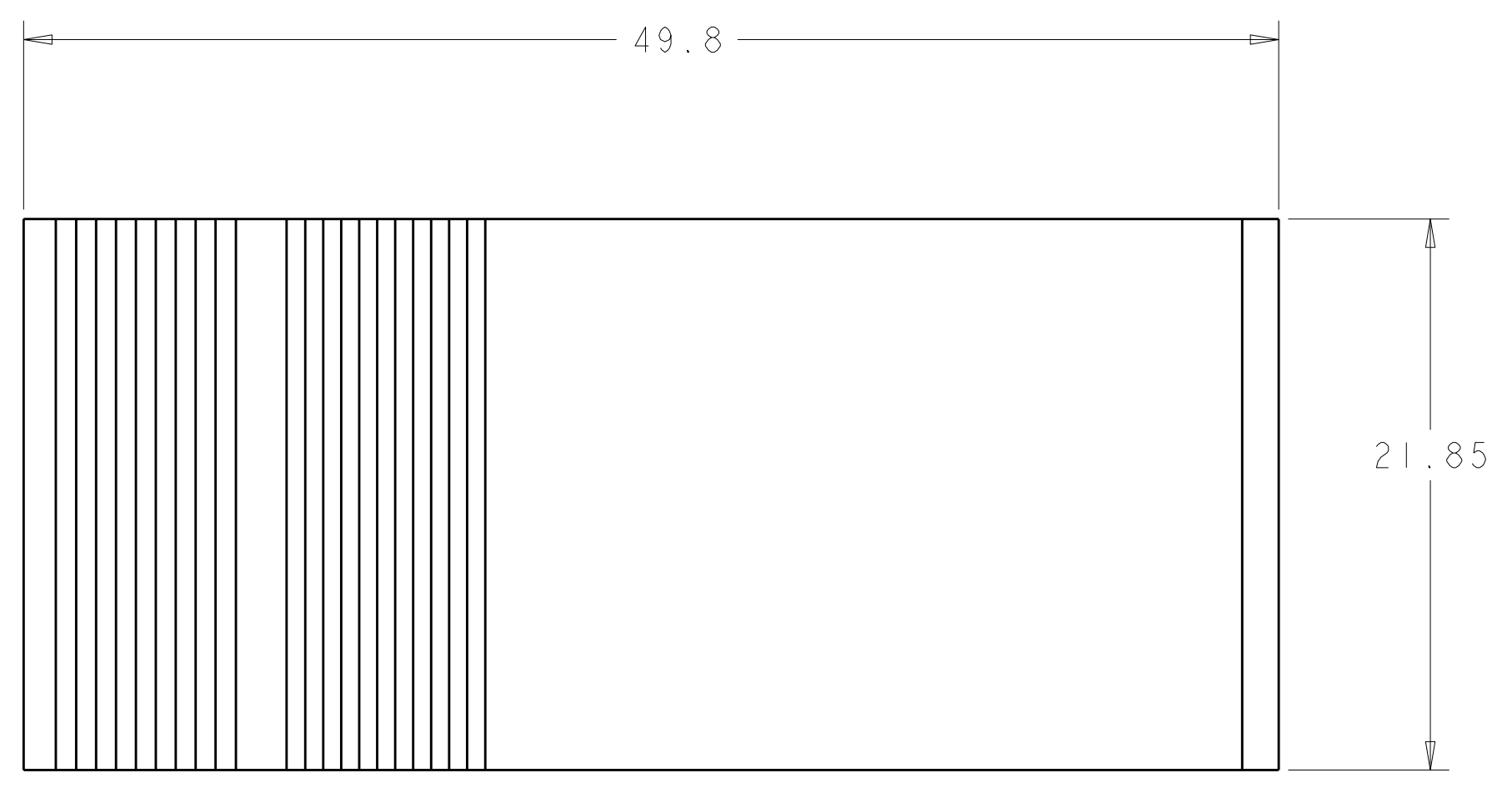


LOC	DIST	REVISIONS			
FT	0	REV	DATE	DWN	APVD
		B	REVISED PER ECO-11-005167	03JUN2011	HMR DY



- 1. MATERIAL: POLYCARBONATE 94-V0
- 2. COLOR: BLACK
- 3. TE OR TE CONNECTIVITY LOGO LOCATED APPROX IN THIS AREA.



1604080-1  
 PART NUMBER

THIS DRAWING IS A CONTROLLED DOCUMENT.		DWN: B. HAYMAKER 09JAN2002	NAME: HOUSING, 2X2 POWER PRODUCT PLUG WITHOUT LATCH	
DIMENSIONS: mm		CHK: K. KETELSLEGER 14MAR02	SIZE: A100779 C=1604080	
TOLERANCES UNLESS OTHERWISE SPECIFIED:		APVD: K. KETELSLEGER 14MAR02	SCALE: 4:1 SHEET 1 OF 1 REV B	
9 PLC ±0.13		PRODUCT SPEC: -	RESTRICTED TO: -	
1 PLC ±0.13		APPLICATION SPEC: -		
2 PLC ±0.13		WEIGHT: -		
3 PLC ±0.13		CUSTOMER DRAWING		
4 PLC ±0.13				
ANGLES ±°				
FINISH ±30°				