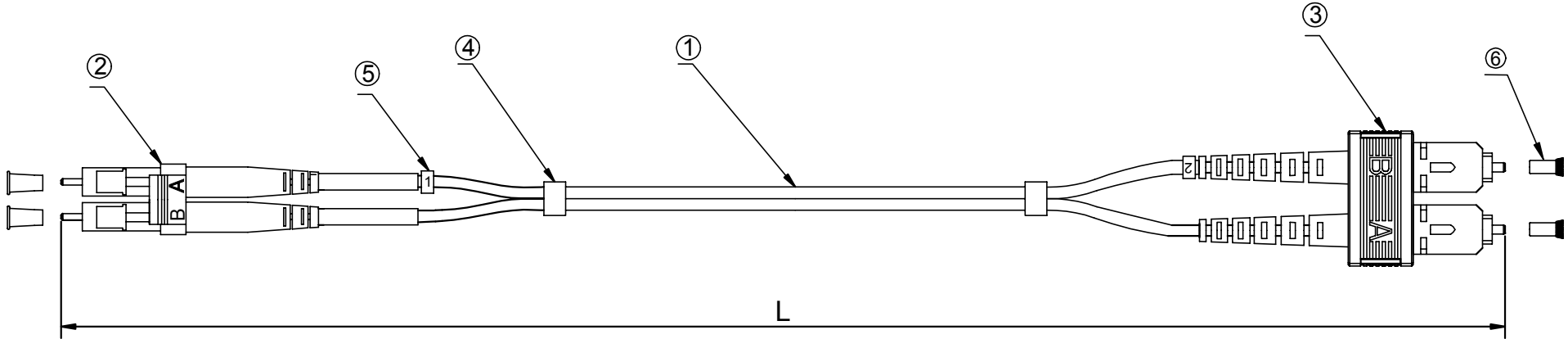


RoHS  
Compliant

VERSION	DESCRIPTION	DATE
1.0	New Release	2018/3/29



PART NO	DRAWING NO	CABLE LENGTH "L"	COLOR
912M-2-1-00100	671-444-A	1000±100	Orange
912M-2-1-00200	671-444-B	2000±100	Orange
912M-2-1-00300	671-444-C	3000±100	Orange
912M-2-1-00500	671-444-D	5000±100	Orange
912M-2-1-00700	671-444-E	7000±100	Orange
912M-2-1-01000	671-444-F	10000±100	Orange
912M-2-1-01500	671-444-G	15000±100	Orange
912M-2-1-02000	671-444-H	20000±100	Orange
912M-2-1-02500	671-444-I	25000±100	Orange

NOTES:  
Insertion loss < 0.3 dB

## CnC Tech, LLC

Industrial Cable and Connector Technology

		TITLE	Patch Cord, LC-SC,MM-62.5/125 OM1, Duplex, PVC, orange, 2.0mm, xxm		
UNIT	mm	P/N	above	DRAWN BY	
unless otherwise stated Tolerances mm                      angular XXX.XX ±0.3            ±2° XX.XX ±0.2 X.XX ±0.1		Customer P/N	912M-2-1-0XXXX	CHECK BY	
SIZE	A4	SCALE	Free	PAGE	1/1
No.	Description		PAGE	1/1	APPROVAL BY

6	Dust Cover
5	1/2 Code
4	Shrinkage Tube
3	SC MM Duplex Connector (Beige housing Red/black boot)
2	LC MM Duplex Connector (Beige housing White boot)
1	2.0mm,Duplex,MM-62.5/125 OM1, PVC, Optical Fiber Cable(Orange)
No.	Description

CHECK BY