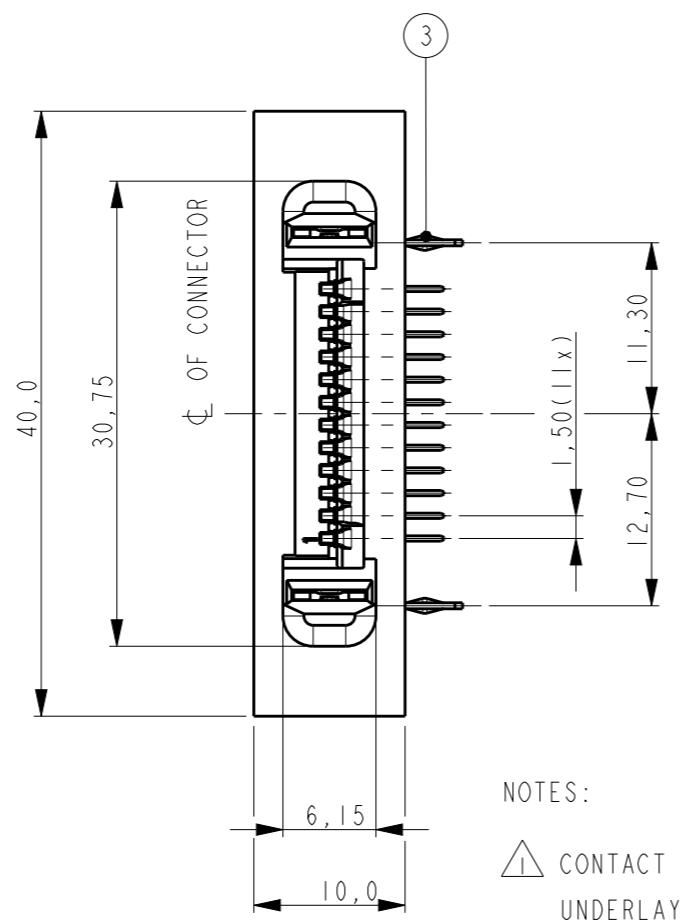
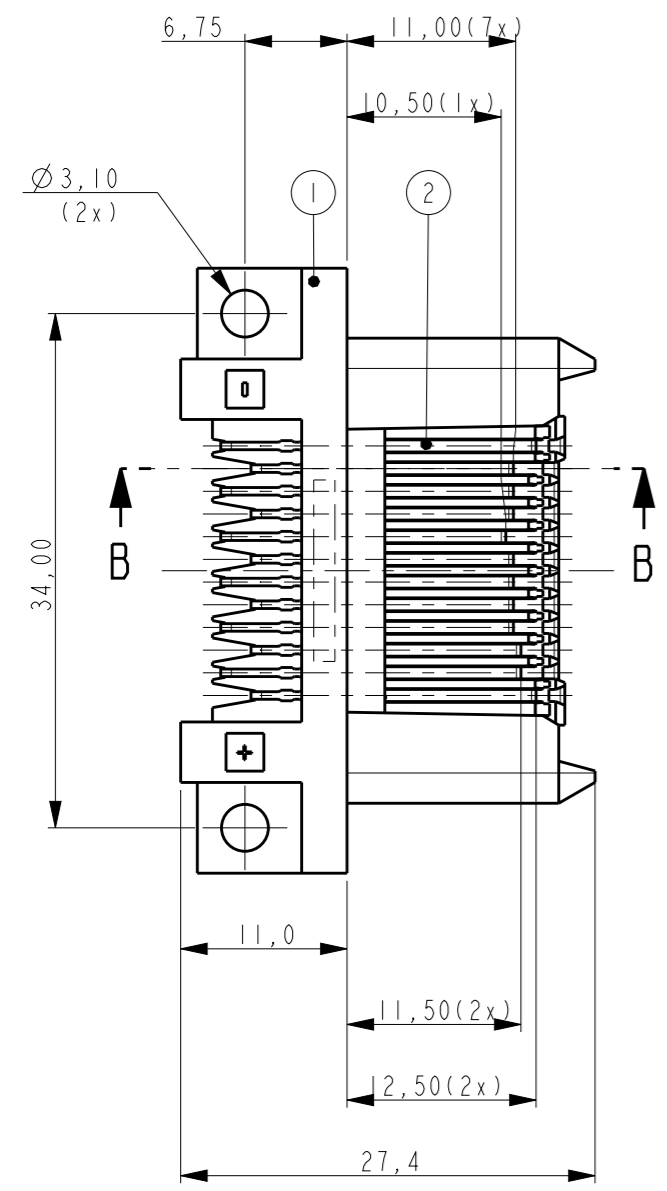
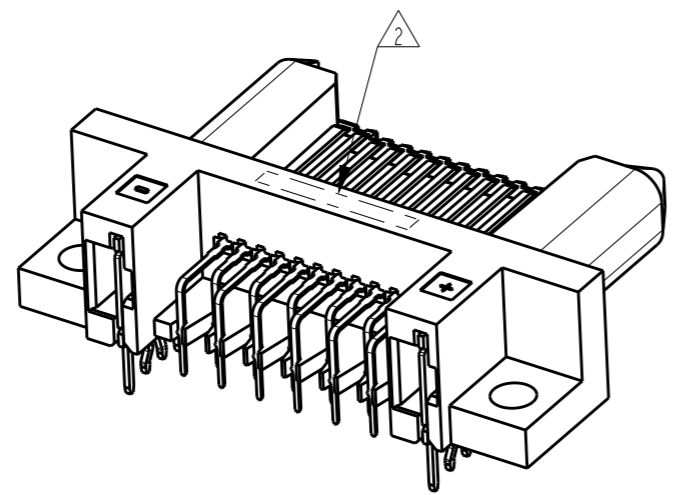
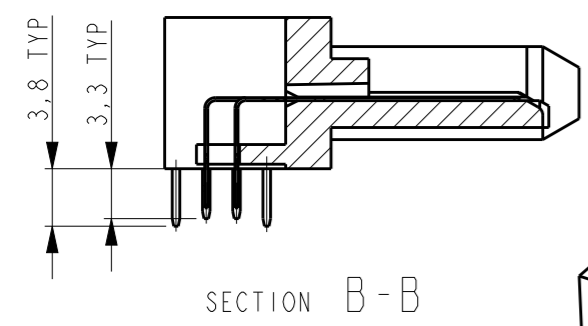
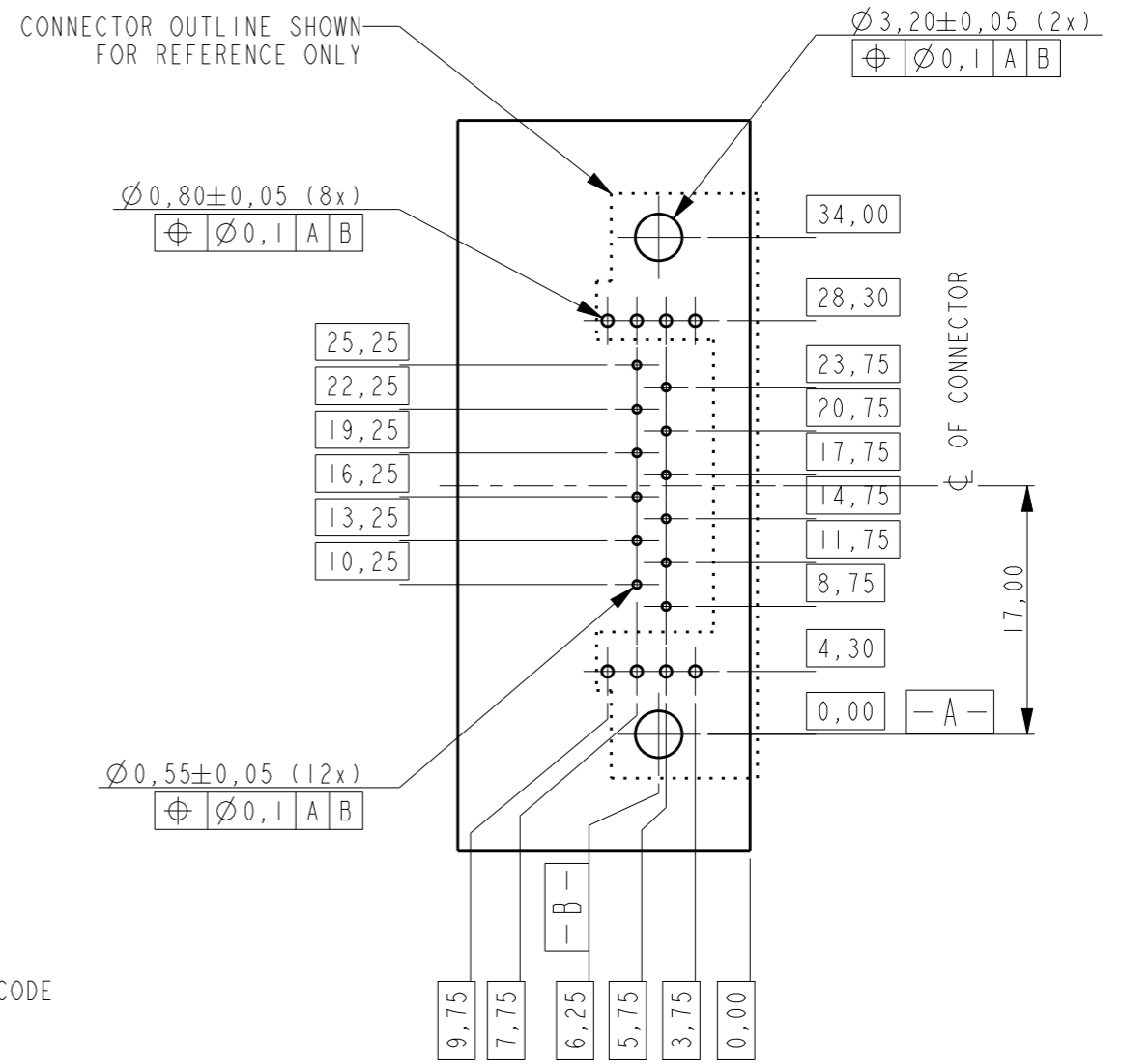


THIS DRAWING IS UNPUBLISHED. RELEASED FOR PUBLICATION 20
 © COPYRIGHT 20 ALL RIGHTS RESERVED.

LOC	DIST	REVISIONS					
		P	LTR	DESCRIPTION	DATE	DWN	APVD
H	-		1	FIRST ISSUE	08OCT2007	JV	RD
			2	ADD DATE-CODE	23JUL2009	RD	TdB
			3	SUPERSEDED	04DEC2009	JvdH	TdB
			A2	ECR-14-016324	16APR2015	T.Q	W.H



NOTES:
 1 CONTACT FINISH:
 UNDERLAYER: NICKEL
 SOLDER TAILS: TIN
 CONTACT AREA: GOLD
 2 PARTNUMBER AND DATE-CODE
 IN THIS AREA.



ORDERNUMBER: 1982676-1

ITEM NO.	DESCRIPTION	MATERIAL	FINISH
3	RECEPTACLE POWER CONTACT	COPPER ALLOY	SEE NOTE 1
2	SIGNAL CONTACT	COPPER ALLOY	SEE NOTE 1
1	RECEPTACLE HOUSING	LCP	BLACK

THIS DRAWING IS A CONTROLLED DOCUMENT.

DWN J.VOS 08-Oct-07
 CHK R.DAAMEN 08-Oct-07
 APVD -

PRODUCT SPEC 108-19361
 APPLICATION SPEC -

WEIGHT -

Customer Drawing

STE TE Connectivity

NAME RECEPTACLE ASSY

SIZE A3 CAGE CODE 00779 DRAWING NO C-1982676 RESTRICTED TO -

SCALE 2:1 SHEET 1 OF 1 REV A2