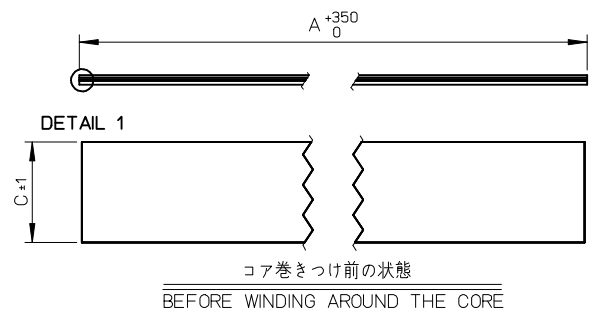
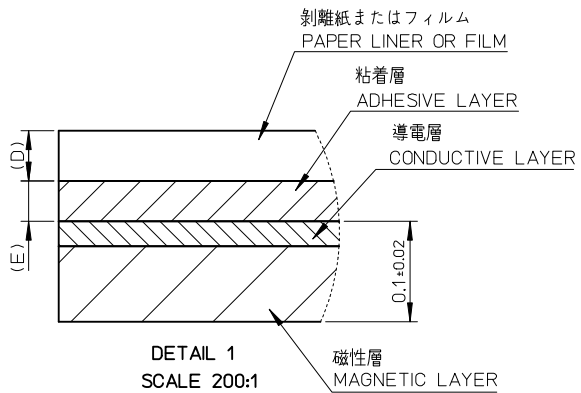


NOTES:
 1. 材料 MATERIAL
 PS-504800-001 参照
 SEE PS-504800-001
 2. ELV & RoHS 適合品
 ELV & RoHS COMPLIANT
 3. UL94 V-0 相当
 UL94 V-0 EQUIVALENT
 4. 製品番号 504800
 PRODUCT No. ** ** 粘着型番
ADHESIVE
テープ幅
WIDTH
シリーズ番号
SERIES

5. テープの電気特性や機械特性については PS-504800-001 を参照
 ELECTRICAL & MECHANICAL PROPERTY : SEE PS-504800-001



◎ 標準粘着:再剥離可能タイプ STANDARD ADHESIVE: RE-STICKABLE TYPE	5048002001
◎ 標準粘着:再剥離可能タイプ STANDARD ADHESIVE: RE-STICKABLE TYPE	5048001001
粘着層特徴 ADHESIVE FEATURE	ORDER NO.



69.00g	0.047	0.105	20	5000	5048002001	504800****
35.40g	0.047	0.105	10	5000	5048001001	
WEIGHT	E	D	C	A	ORDER NO.	MODEL NO.

REVISED EC NO: J2015-0054 DRWN: MNIITA 2014/04/04 CHKD: APPR: KCHIKANO 2014/07/11	GENERAL TOLERANCES (UNLESS SPECIFIED)		DIMENSION STYLE MM ONLY		SCALE 1:2	DESIGN UNITS METRIC	THIRD ANGLE PROJECTION
	10 UNDER	±0.2	DRAWN BY MNIITA	DATE 2013/09/24	TITLE HOZOX TWO LAYER NOISE SUPPRESSION TAPE		
	10 OVER 30 UNDER	±0.25	CHECKED BY SHOSHIKAWA	DATE 2013/09/27			
	30 OVER	±0.3	APPROVED BY SHOSHIKAWA	DATE 2013/10/01			
A	ANGULAR ±1 °	DRAFT WHERE APPLICABLE MUST REMAIN WITHIN DIMENSIONS		MATERIAL NO. SEE TABLE	DOCUMENT NO. SD-504800-002	SHEET NO. 1 OF 1	
				SIZE A3	THIS DRAWING CONTAINS INFORMATION THAT IS PROPRIETARY TO MOLEX INCORPORATED AND SHOULD NOT BE USED WITHOUT WRITTEN PERMISSION		