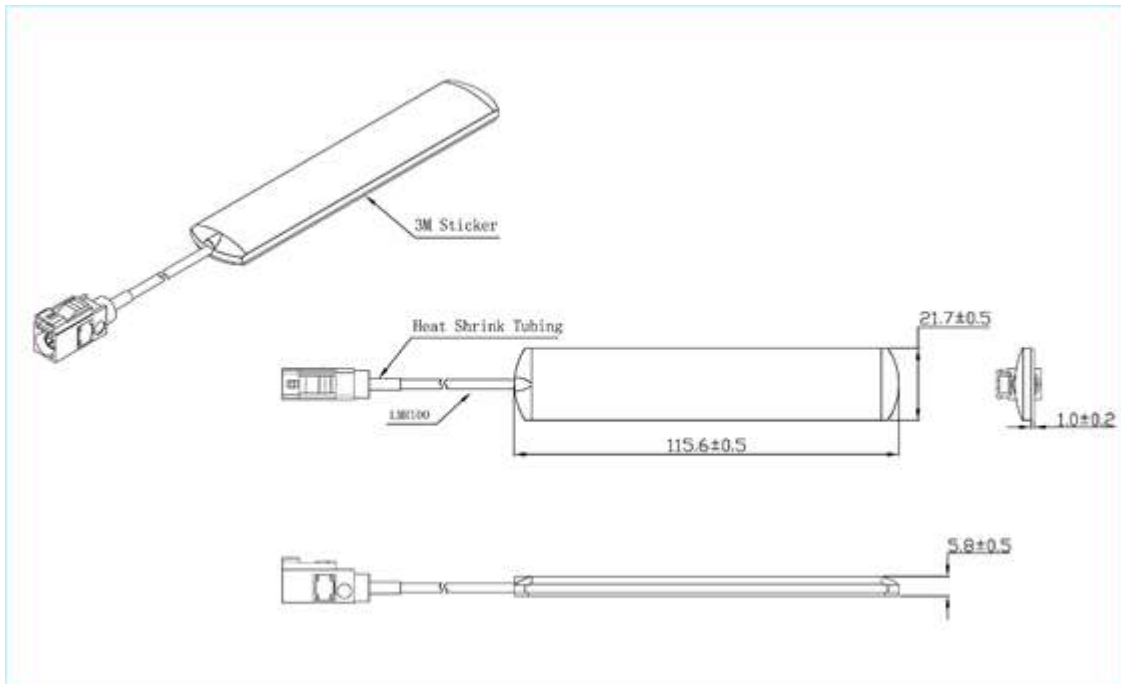


Maswell 5G NR Antenna Adhesive Patch

AN_5G_017NR



Mechanical dimension



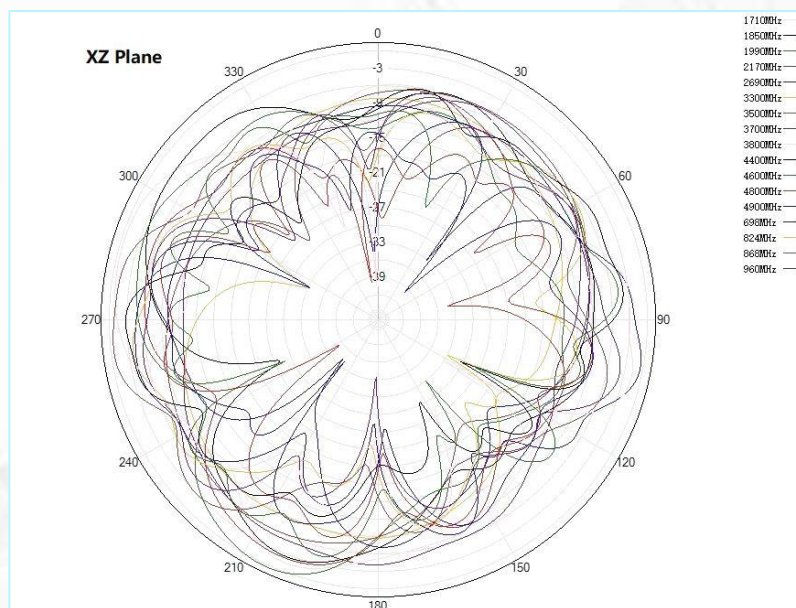
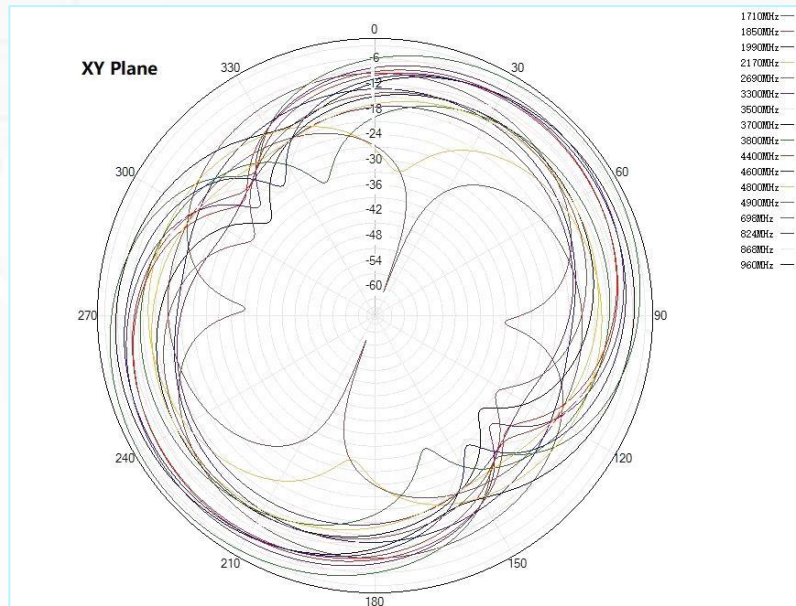
Maswell 5G NR Antenna Adhesive Patch

Specifications

Item	Specifications	
Antenna	Frequency Range	617~960/1710~2690/3300~3800/4400~4900MHz
	Polarization	Linear
	Gain	2.0dBi (Zenith)
	V.S.W.R	<2.0
	Impedance	50Ω
	PCB Dimension	104.6*18*1mm
Mechanical	Cable	LMR100 or others
	Connector	FAKRA/SMA or others
	Radome Material	ABS
	Mounting Method	Adhesive
Environmental	Operating Temperature	-40°C~+85°C
	Relative Humidity	Up to 95%
	Vibration	10 to 55Hz with 1.5mm amplitude 2hours
	Environmentally Friendly	ROHS Compliant

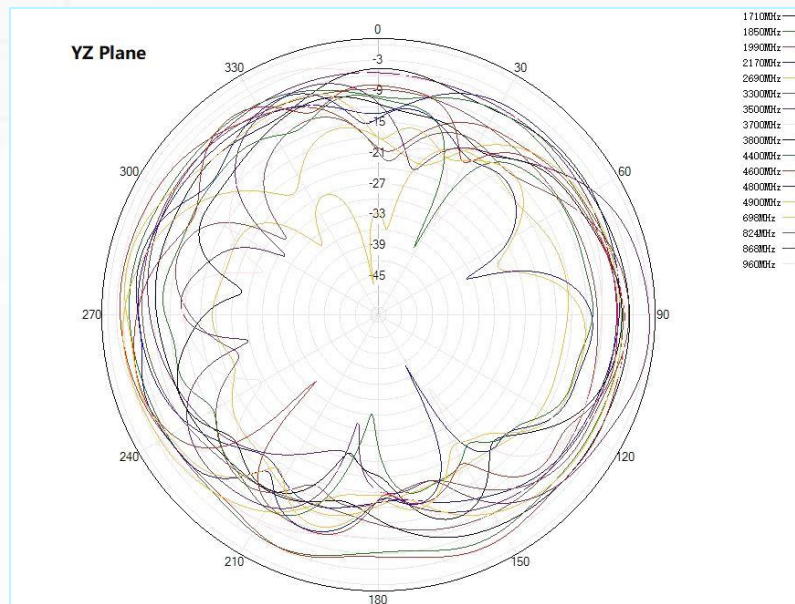
Maswell 5G NR Antenna Adhesive Patch

Radiation Patterns



Maswell 5G NR Antenna Adhesive Patch

Radiation Patterns



NEW
TECHNOLOGY
PROJECT

Maswell 5G NR Antenna Adhesive Patch

VSWR



NEW
TECHNOLOGY
PROJECT