

FOR ADDITIONAL INFORMATION SEE SD-33482-0001

ABBREVIATION	DESCRIPTION	COLOR	MATERIAL
A-BLACK	HOUSING, KEYING OPTION A	BLACK	SPS/NYLON GF20
B-LIGHT GRAY	HOUSING, KEYING OPTION B	LIGHT GRAY	SPS/NYLON GF20
C-BROWN	HOUSING, KEYING OPTION C	BROWN	SPS/NYLON GF20
D-GREEN	HOUSING, KEYING OPTION D	GREEN	SPS/NYLON GF20
C-DARK GRAY	HOUSING, KEYING OPTION C	DARK GRAY	SPS/NYLON GF20
D-STONE GRAY	HOUSING, KEYING OPTION D	STONE GRAY	SPS/NYLON GF20
A-YELLOW	HOUSING, KEYING OPTION A	YELLOW	SPS/NYLON GF20
GCP	GROMMET CAP (PLUGGED)	BLACK	SPS/NYLON GF20
GCO	GROMMET CAP (OPEN)	BLACK	SPS/NYLON GF20
PLR	PLR	NATURAL	SPS/NYLON GF20
M-R	MAT SEAL	RUST RED	INHERENTLY LUBRICATED SILICONE
M-B	MAT SEAL	ROYAL BLUE	INHERENTLY LUBRICATED SILICONE

ASSEMBLY DESCRIPTION	ASSEMBLY PART NUMBER	COMPONENT				BLOCKED TERMINALS				STATUS	COMMENT	OPTIONAL ATTACHMENTS SOLD SEPARATELY			
		THE PRESENCE OF AN ABBREVIATION INDICATES THE PRESENCE OF THAT COMPONENT				CAVITY WITH A NUMBER INDICATES BLOCKED TERMINAL POSITION CAVITY WITHOUT A NUMBER INDICATES OPEN TERMINAL POSITION						BACKSHELL WITH RIBS	BACKSHELL WITHOUT RIBS	90° ADAPTOR WITH RIBS	90° ADAPTOR WITHOUT RIBS
		HOUSING KEY/COLOR	GROMMET CAP	PLR	MAT SEAL										
MX150 ASSY BLD 2X4 BK A/8	334820801	A-BLACK	GCO	PLR	M-R	-	-	-	-	OBSOLETE	SEE 334824801	34950-0811	34950-0821	34951-0831	34951-0841
MX150 ASSY BLD 2X4 LG B/8	334820802	B-LIGHT GRAY	GCO	PLR	M-R	-	-	-	-	OBSOLETE	SEE 334824802	34950-0811	34950-0821	34951-0831	34951-0841
MX150 ASSY BLD 2X4 BR C/8	334820803	C-BROWN	GCO	PLR	M-R	-	-	-	-	OBSOLETE	SEE 334824852	34950-0811	34950-0821	34951-0831	34951-0841
MX150 ASSY BLD 2X4 GR D/8	334820804	D-GREEN	GCO	PLR	M-R	-	-	-	-	OBSOLETE	SEE 334824853	34950-0811	34950-0821	34951-0831	34951-0841
MX150 ASSY BLD 2X4 BK A/7	334820806	A-BLACK	GCP	PLR	M-R	-	-	-	4	OBSOLETE	SEE 334824806	34950-0811	34950-0821	34951-0831	34951-0841
MX150 ASSY BLD 2X4 LG B/7	334820807	B-LIGHT GRAY	GCP	PLR	M-R	-	-	-	4	OBSOLETE	SEE 334824807	34950-0811	34950-0821	34951-0831	34951-0841
MX150 ASSY BLD 2X4 BR C/7	334820808	C-BROWN	GCP	PLR	M-R	-	-	-	4	OBSOLETE	SEE 334824902	34950-0811	34950-0821	34951-0831	34951-0841
MX150 ASSY BLD 2X4 GR D/7	334820809	D-GREEN	GCP	PLR	M-R	-	-	-	4	OBSOLETE		34950-0811	34950-0821	34951-0831	34951-0841
MX150 ASSY BLD 2X4 BK A/6	334820811	A-BLACK	GCP	PLR	M-R	-	-	-	4	OBSOLETE	SEE 334824811	34950-0811	34950-0821	34951-0831	34951-0841
MX150 ASSY BLD 2X4 LG B/6	334820812	B-LIGHT GRAY	GCP	PLR	M-R	-	-	-	4	OBSOLETE	SEE 334824812	34950-0811	34950-0821	34951-0831	34951-0841
MX150 ASSY BLD 2X4 BR C/6	334820813	C-BROWN	GCP	PLR	M-R	-	-	-	4	OBSOLETE		34950-0811	34950-0821	34951-0831	34951-0841
MX150 ASSY BLD 2X4 GR D/6	334820814	D-GREEN	GCP	PLR	M-R	-	-	-	4	OBSOLETE		34950-0811	34950-0821	34951-0831	34951-0841
MX150 ASSY BLD 2X4 BK A/5	334820816	A-BLACK	GCP	PLR	M-R	1	-	-	4	OBSOLETE	SEE 334824816	34950-0811	34950-0821	34951-0831	34951-0841
MX150 ASSY BLD 2X4 LG B/5	334820817	B-LIGHT GRAY	GCP	PLR	M-R	1	-	-	4	OBSOLETE	SEE 334824817	34950-0811	34950-0821	34951-0831	34951-0841
MX150 ASSY BLD 2X4 BR C/5	334820818	C-BROWN	GCP	PLR	M-R	1	-	-	4	OBSOLETE		34950-0811	34950-0821	34951-0831	34951-0841
MX150 ASSY BLD 2X4 GR D/5	334820819	D-GREEN	GCP	PLR	M-R	1	-	-	4	OBSOLETE		34950-0811	34950-0821	34951-0831	34951-0841
MX150 ASSY BLD 2X4 BK A/4	334820821	A-BLACK	GCP	PLR	M-R	1	-	-	4	OBSOLETE	SEE 334824821	34950-0811	34950-0821	34951-0831	34951-0841

ASSEMBLY DESCRIPTION	ASSEMBLY PART NUMBER	COMPONENT				BLOCKED TERMINALS				STATUS	COMMENT	OPTIONAL ATTACHMENTS SOLD SEPARATELY			
		THE PRESENCE OF AN ABBREVIATION INDICATES THE PRESENCE OF THAT COMPONENT				CAVITY WITH A NUMBER INDICATES BLOCKED TERMINAL POSITION CAVITY WITHOUT A NUMBER INDICATES OPEN TERMINAL POSITION						BACKSHELL WITH RIBS	BACKSHELL WITHOUT RIBS	90° ADAPTOR WITH RIBS	90° ADAPTOR WITHOUT RIBS
		HOUSING KEY/COLOR	GROMMET CAP	PLR	MAT SEAL										
MX150 ASSY BLD 2X4 LG B/4	334820822	B-LIGHT GRAY	GCP	PLR	M-R	1	-	-	4	OBSOLETE	SEE 334824822	34950-0811	34950-0821	34951-0831	34951-0841
						5	-	-	8						
MX150 ASSY BLD 2X4 BRC/4	334820823	C-BROWN	GCP	PLR	M-R	1	-	-	4	OBSOLETE		34950-0811	34950-0821	34951-0831	34951-0841
						5	-	-	8						
MX150 ASSY BLD 2X4 GRD/4	334820824	D-GREEN	GCP	PLR	M-R	1	-	-	4	OBSOLETE		34950-0811	34950-0821	34951-0831	34951-0841
						5	-	-	8						
MX150 ASSY BLD 2X4 BK A/2	334820826	A-BLACK	GCP	PLR	M-R	1	2	3	-	OBSOLETE	SEE 334824826	34950-0811	34950-0821	34951-0831	34951-0841
						-	6	7	8						
MX150 ASSY BLD 2X4 BK A/7	334820827	A-BLACK	GCP	PLR	M-R	-	-	-	-	OBSOLETE	SEE 334824827	34950-0811	34950-0821	34951-0831	34951-0841
						-	-	-	8						
MX150 ASSY BLD 2X4 BK A/6	334820828	A-BLACK	GCP	PLR	M-R	-	-	3	-	OBSOLETE	SEE 334824828	34950-0811	34950-0821	34951-0831	34951-0841
						5	-	-	-						
MX150 ASSY BLD 2X4 BK A/2	334820829	A-BLACK	GCP	PLR	M-R	-	2	3	4	OBSOLETE	SEE 334824829	34950-0811	34950-0821	34951-0831	34951-0841
						5	6	7	-						
MX150 ASSY BLD 2X4 BK A/7	334820830	A-BLACK	GCP	PLR	M-R	-	-	-	-	OBSOLETE	SEE 334824830	34950-0811	34950-0821	34951-0831	34951-0841
						-	6	-	-						
MX150 ASSY BLD 2X4 BK A/5	334820831	A-BLACK	GCP	PLR	M-R	-	-	3	-	OBSOLETE	SEE 334824831	34950-0811	34950-0821	34951-0831	34951-0841
						5	6	-	-						
MX150 ASSY BLD 2X4 BK A/5	334820832	A-BLACK	GCP	PLR	M-R	-	-	-	-	OBSOLETE	SEE 334824832	34950-0811	34950-0821	34951-0831	34951-0841
						5	6	-	8						
MX150 ASSY BLD 2X4 BK A/5	334820833	A-BLACK	GCP	PLR	M-R	1	-	3	-	OBSOLETE	SEE 334824833	34950-0811	34950-0821	34951-0831	34951-0841
						5	-	-	-						
MX150 ASSY BLD 2X4 BK A/0	334820834	A-BLACK	GCP	PLR	M-R	1	2	3	4	OBSOLETE	SEE 334824834	34950-0811	34950-0821	34951-0831	34951-0841
						5	6	7	8						
MX150 ASSY BLD 2X4 BK A/6	334820835	A-BLACK	GCP	PLR	M-R	-	-	-	-	OBSOLETE	SEE 334824835	34950-0811	34950-0821	34951-0831	34951-0841
						-	-	7	8						
MX150 ASSY BLD 2X4 BK A/3	334820836	A-BLACK	GCP	PLR	M-R	-	2	3	-	OBSOLETE	SEE 334824836	34950-0811	34950-0821	34951-0831	34951-0841
						-	6	7	8						
MX150 ASSY BLD 2X4 BK A/6	334820837	A-BLACK	GCP	PLR	M-R	1	-	-	4	OBSOLETE	SEE 334824837	34950-0811	34950-0821	34951-0831	34951-0841
						-	-	-	-						
MX150 ASSY BLD 2X4 BK A/2	334820838	A-BLACK	GCP	PLR	M-R	-	2	3	-	OBSOLETE	SEE 334824838	34950-0811	34950-0821	34951-0831	34951-0841
						5	6	7	8						
MX150 ASSY BLD 2X4 LG B/7	334820839	B-LIGHT GRAY	GCP	PLR	M-R	-	-	-	-	OBSOLETE	SEE 334824839	34950-0811	34950-0821	34951-0831	34951-0841
						-	-	-	8						
MX150 ASSY BLD 2X4 BK A/3	334820840	A-BLACK	GCP	PLR	M-R	-	2	3	-	OBSOLETE	SEE 334824840	34950-0811	34950-0821	34951-0831	34951-0841
						5	6	-	8						
MX150 ASSY BLD 2X4 BK A/6	334820841	A-BLACK	GCP	PLR	M-R	-	-	-	-	OBSOLETE	SEE 334824841	34950-0811	34950-0821	34951-0831	34951-0841
						-	6	7	-						
MX150 ASSY BLD 2X4 BK A/7	334820842	A-BLACK	GCP	PLR	M-R	-	-	-	-	OBSOLETE	SEE 334824842	34950-0811	34950-0821	34951-0831	34951-0841
						-	-	7	-						
MX150 ASSY BLD 2X4 BK A/6	334820843	A-BLACK	GCP	PLR	M-R	-	-	-	4	OBSOLETE	SEE 334824843	34950-0811	34950-0821	34951-0831	34951-0841
						-	-	7	-						
MX150 ASSY BLD 2X4 BK A/6	334820844	A-BLACK	GCP	PLR	M-R	-	-	3	-	OBSOLETE	SEE 334824844	34950-0811	34950-0821	34951-0831	34951-0841
						-	6	-	-						
MX150 ASSY BLD 2X4 BK A/3	334820845	A-BLACK	GCP	PLR	M-R	-	2	3	4	OBSOLETE	SEE 334824845	34950-0811	34950-0821	34951-0831	34951-0841
						5	6	-	-						
MX150 ASSY BLD 2X4 BK A/4	334820846	A-BLACK	GCP	PLR	M-R	-	-	-	4	OBSOLETE	SEE 334824846	34950-0811	34950-0821	34951-0831	34951-0841
						5	-	7	8						
MX150 ASSY BLD 2X4 LG B/0	334820847	B-LIGHT GRAY	GCP	PLR	M-R	1	2	3	4	OBSOLETE	SEE 334824847	34950-0811	34950-0821	34951-0831	34951-0841
						5	6	7	8						
MX150 ASSY BLD 2X4 BK A/6	334820848	A-BLACK	GCP	PLR	M-R	1	-	-	-	OBSOLETE	SEE 334824848	34950-0811	34950-0821	34951-0831	34951-0841
						5	-	-	-						
MX150 ASSY BLD 2X4 LG B/6	334820849	B-LIGHT GRAY	GCP	PLR	M-R	1	-	-	-	OBSOLETE	SEE 334824849	34950-0811	34950-0821	34951-0831	34951-0841
						-	6	-	-						

ASSEMBLY DESCRIPTION	ASSEMBLY PART NUMBER	COMPONENT				BLOCKED TERMINALS				STATUS	COMMENT	OPTIONAL ATTACHMENTS SOLD SEPARATELY			
		THE PRESENCE OF AN ABBREVIATION INDICATES THE PRESENCE OF THAT COMPONENT				CAVITY WITH A NUMBER INDICATES BLOCKED TERMINAL POSITION CAVITY WITHOUT A NUMBER INDICATES OPEN TERMINAL POSITION						BACKSHELL WITH RIBS	BACKSHELL WITHOUT RIBS	90° ADAPTOR WITH RIBS	90° ADAPTOR WITHOUT RIBS
		HOUSING KEY/COLOR	GROMMET CAP	PLR	MAT SEAL										
MX150 ASSY BLD 2X4 YW A/6	334820850	A-YELLOW	GCP	PLR	M-R	1	-	-	4	OBSOLETE	SEE 334824850	34950-0811	34950-0821	34951-0831	34951-0841
MX150 ASSY BLD 2X4 YW A/8	334820851	A-YELLOW	GCO	PLR	M-R	-	-	-	-	OBSOLETE	SEE 334824851	34950-0811	34950-0821	34951-0831	34951-0841
MX150 ASSY BLD 2X4 DG C/8	334820852	C-DARK GRAY	GCO	PLR	M-R	-	-	-	-	OBSOLETE	SEE 334824852	34950-0811	34950-0821	34951-0831	34951-0841
MX150 ASSY BLD 2X4 SG D/8	334820853	D-STONE GRAY	GCO	PLR	M-R	-	-	-	-	OBSOLETE	SEE 334824853	34950-0811	34950-0821	34951-0831	34951-0841
MX150 ASSY BLD 2X4 BK A/4	334820854	A-BLACK	GCP	PLR	M-R	1	2	3	4	OBSOLETE	SEE 334824854	34950-0811	34950-0821	34951-0831	34951-0841
MX150 ASSY BLD 2X4 BK A/2	334820855	A-BLACK	GCP	PLR	M-R	1	2	-	-	OBSOLETE	SEE 334824855	34950-0811	34950-0821	34951-0831	34951-0841
MX150 ASSY BLD 2X4 BK A/6	334820856	A-BLACK	GCP	PLR	M-R	1	2	-	-	OBSOLETE	SEE 334824856	34950-0811	34950-0821	34951-0831	34951-0841
MX150 ASSY BLD 2X4 BK A/4	334820857	A-BLACK	GCP	PLR	M-R	1	2	3	-	OBSOLETE	SEE 334824857	34950-0811	34950-0821	34951-0831	34951-0841
MX150 ASSY BLD 2X4 BK A/2	334820858	A-BLACK	GCP	PLR	M-R	1	2	3	4	OBSOLETE	SEE 334824858	34950-0811	34950-0821	34951-0831	34951-0841
MX150 ASSY BLD 2X4 BK A/3	334820859	A-BLACK	GCP	PLR	M-R	1	-	3	-	OBSOLETE	SEE 334824859	34950-0811	34950-0821	34951-0831	34951-0841
MX150 ASSY BLD 2X4 BK A/2	334820860	A-BLACK	GCP	PLR	M-R	1	2	3	4	OBSOLETE	SEE 334824860	34950-0811	34950-0821	34951-0831	34951-0841
MX150 ASSY BLD 2X4 BK A/4	334820861	A-BLACK	GCP	PLR	M-R	1	2	3	-	OBSOLETE	SEE 334824861	34950-0811	34950-0821	34951-0831	34951-0841
MX150 ASSY BLD 2X4 BK A/6	334820862	A-BLACK	GCP	PLR	M-R	1	-	-	-	OBSOLETE	SEE 334824862	34950-0811	34950-0821	34951-0831	34951-0841
MX150 ASSY BLD 2X4 BK A/4	334820863	A-BLACK	GCP	PLR	M-R	1	-	-	-	OBSOLETE	SEE 334824863	34950-0811	34950-0821	34951-0831	34951-0841
MX150 ASSY BLD 2X4 BK A/2	334820864	A-BLACK	GCP	PLR	M-R	-	-	3	4	OBSOLETE	SEE 334824864	34950-0811	34950-0821	34951-0831	34951-0841
MX150 ASSY BLD 2X4 BK A/5	334820865	A-BLACK	GCP	PLR	M-R	-	-	-	4	OBSOLETE	SEE 334824865	34950-0811	34950-0821	34951-0831	34951-0841
MX150 ASSY BLD 2X4 BK A/3	334820866	A-BLACK	GCP	PLR	M-R	-	-	-	4	OBSOLETE	SEE 334824866	34950-0811	34950-0821	34951-0831	34951-0841
MX150 ASSY BLD 2X4 BK A/2	334820867	A-BLACK	GCP	PLR	M-R	-	2	3	4	OBSOLETE	SEE 334824867	34950-0811	34950-0821	34951-0831	34951-0841
MX150 ASSY BLD 2X4 BK A/5	334820868	A-BLACK	GCP	PLR	M-R	-	-	-	-	OBSOLETE	SEE 334824868	34950-0811	34950-0821	34951-0831	34951-0841
MX150 ASSY BLD 2X4 BK A/6	334820869	A-BLACK	GCP	PLR	M-R	5	6	7	-	OBSOLETE	SEE 334824869	34950-0811	34950-0821	34951-0831	34951-0841
MX150 ASSY BLD 2X4 BK A/5	334820870	A-BLACK	GCP	PLR	M-R	-	-	-	-	OBSOLETE	SEE 334824870	34950-0811	34950-0821	34951-0831	34951-0841
MX150 ASSY BLD 2X4 LG B/6	334820871	B-LIGHT GRAY	GCP	PLR	M-R	-	6	7	8	OBSOLETE	SEE 334824871	34950-0811	34950-0821	34951-0831	34951-0841
MX150 ASSY BLD 2X4 BK A/6	334820872	A-BLACK	GCP	PLR	M-R	1	-	-	-	OBSOLETE	SEE 334824872	34950-0811	34950-0821	34951-0831	34951-0841
MX150 ASSY BLD 2X4 BK A/6	334820873	A-BLACK	GCP	PLR	M-R	-	-	-	8	OBSOLETE	SEE 334824873	34950-0811	34950-0821	34951-0831	34951-0841
MX150 ASSY BLD 2X4 BK A/6	334820874	A-BLACK	GCP	PLR	M-R	-	6	-	8	OBSOLETE	SEE 334824874	34950-0811	34950-0821	34951-0831	34951-0841
MX150 ASSY BLD 2X4 BK A/6	334820874	A-BLACK	GCP	PLR	M-R	-	2	-	-	OBSOLETE	SEE 334824874	34950-0811	34950-0821	34951-0831	34951-0841
MX150 ASSY BLD 2X4 BK A/7	334820875	A-BLACK	GCP	PLR	M-R	5	-	-	-	OBSOLETE	SEE 334824875	34950-0811	34950-0821	34951-0831	34951-0841
MX150 ASSY BLD 2X4 LG B/5	334820876	B-LIGHT GRAY	GCP	PLR	M-R	1	-	3	-	OBSOLETE	SEE 334824876	34950-0811	34950-0821	34951-0831	34951-0841

ASSEMBLY DESCRIPTION	ASSEMBLY PART NUMBER	COMPONENT				BLOCKED TERMINALS				STATUS	COMMENT	OPTIONAL ATTACHMENTS SOLD SEPARATELY			
		THE PRESENCE OF AN ABBREVIATION INDICATES THE PRESENCE OF THAT COMPONENT				CAVITY WITH A NUMBER INDICATES BLOCKED TERMINAL POSITION CAVITY WITHOUT A NUMBER INDICATES OPEN TERMINAL POSITION						BACKSHELL WITH RIBS	BACKSHELL WITHOUT RIBS	90° ADAPTOR WITH RIBS	90° ADAPTOR WITHOUT RIBS
		HOUSING KEY/COLOR	GROMMET CAP	PLR	MAT SEAL										
MX150 ASSY BLD 2X4 LG B/6	334820877	B-LIGHT GRAY	GCP	PLR	M-R	-	-	3	-	OBSOLETE	SEE 334824877	34950-0811	34950-0821	34951-0831	34951-0841
MX150 ASSY BLD 2X4 LG B/7	334820878	B-LIGHT GRAY	GCP	PLR	M-R	1	-	-	-	OBSOLETE	SEE 334824878	34950-0811	34950-0821	34951-0831	34951-0841
MX150 ASSY BLD 2X4 BK A/2	334820879	A-BLACK	GCP	PLR	M-R	1	2	3	4	OBSOLETE	SEE 334824879	34950-0811	34950-0821	34951-0831	34951-0841
MX150 ASSY BLD 2X4 BK A/7	334820880	A-BLACK	GCP	PLR	M-R	1	-	-	-	OBSOLETE	SEE 334824880	34950-0811	34950-0821	34951-0831	34951-0841
MX150 ASSY BLD 2X4 BK A/6	334820881	A-BLACK	GCP	PLR	M-R	-	-	-	-	OBSOLETE	SEE 334824881	34950-0811	34950-0821	34951-0831	34951-0841
MX150 ASSY BLD 2X4 BK A/6	334820882	A-BLACK	GCP	PLR	M-R	-	-	-	4	OBSOLETE	SEE 334824882	34950-0811	34950-0821	34951-0831	34951-0841
MX150 ASSY BLD 2X4 BK A/6	334820883	A-BLACK	GCP	PLR	M-R	1	-	-	-	OBSOLETE	SEE 334824883	34950-0811	34950-0821	34951-0831	34951-0841
MX150 ASSY BLD 2X4 BK A/3	334820884	A-BLACK	GCP	PLR	M-R	1	2	3	4	OBSOLETE	SEE 334824884	34950-0811	34950-0821	34951-0831	34951-0841
MX150 ASSY BLD 2X4 BK A/3	334820885	A-BLACK	GCP	PLR	M-R	1	2	-	-	OBSOLETE	SEE 334824885	34950-0811	34950-0821	34951-0831	34951-0841
MX150 ASSY BLD 2X4 BK A/5	334820886	A-BLACK	GCP	PLR	M-R	-	2	3	-	OBSOLETE	SEE 334824886	34950-0811	34950-0821	34951-0831	34951-0841
MX150 ASSY BLD 2X4 BK A/3	334820887	A-BLACK	GCP	PLR	M-R	1	-	3	4	OBSOLETE	SEE 334824887	34950-0811	34950-0821	34951-0831	34951-0841
MX150 ASSY BLD 2X4 BK A/5	334820888	A-BLACK	GCP	PLR	M-R	-	-	-	4	OBSOLETE	SEE 334824888	34950-0811	34950-0821	34951-0831	34951-0841
MX150 ASSY BLD 2X4 BK A/2	334820889	A-BLACK	GCP	PLR	M-R	1	2	-	4	OBSOLETE	SEE 334824889	34950-0811	34950-0821	34951-0831	34951-0841
MX150 ASSY BLD 2X4 BK A/4	334820892	A-BLACK	GCP	PLR	M-R	-	2	3	-	OBSOLETE	SEE 334824892	34950-0811	34950-0821	34951-0831	34951-0841
MX150 ASSY BLD 2X4 BK A/1	334820893	A-BLACK	GCP	PLR	M-R	1	2	3	4	OBSOLETE	SEE 334824893	34950-0811	34950-0821	34951-0831	34951-0841
MX150 ASSY BLD 2X4 BK A/4	334820894	A-BLACK	GCP	PLR	M-R	-	-	3	4	OBSOLETE	SEE 334824894	34950-0811	34950-0821	34951-0831	34951-0841
MX150 ASSY BLD 2X4 BK A/6	334820895	A-BLACK	GCP	PLR	M-R	-	-	3	-	OBSOLETE	SEE 334824895	34950-0811	34950-0821	34951-0831	34951-0841
MX150 ASSY BLD 2X4 BK A/3	334820896	A-BLACK	GCP	PLR	M-R	1	2	-	4	OBSOLETE	SEE 334824896	34950-0811	34950-0821	34951-0831	34951-0841
MX150 ASSY BLD 2X4 BK A/5	334820897	A-BLACK	GCP	PLR	M-R	-	-	-	4	OBSOLETE	SEE 334824897	34950-0811	34950-0821	34951-0831	34951-0841
MX150 ASSY BLD 2X4 BK A/7	334820898	A-BLACK	GCP	PLR	M-R	-	2	-	-	OBSOLETE	SEE 334824898	34950-0811	34950-0821	34951-0831	34951-0841
MX150 ASSY BLD 2X4 BK A/1	334820899	A-BLACK	GCP	PLR	M-R	1	-	3	4	OBSOLETE	SEE 334824899	34950-0811	34950-0821	34951-0831	34951-0841
MX150 ASSY BLD 2X4 BK A/8	334824801	A-BLACK	GOO	PLR	M-B	-	-	-	-	SALEABLE		34950-0811	34950-0821	34951-0831	34951-0841
MX150 ASSY BLD 2X4 LG B/8	334824802	B-LIGHT GRAY	GOO	PLR	M-B	-	-	-	-	SALEABLE		34950-0811	34950-0821	34951-0831	34951-0841
MX150 ASSY BLD 2X4 BRC/8	334824803	C-BROWN	GOO	PLR	M-B	-	-	-	-	NOT RECOMMENDED	SEE 334824852	34950-0811	34950-0821	34951-0831	34951-0841
MX150 ASSY BLD 2X4 GRD/8	334824804	D-GREEN	GOO	PLR	M-B	-	-	-	-	NOT RECOMMENDED	SEE 334824853	34950-0811	34950-0821	34951-0831	34951-0841
MX150 ASSY BLD 2X4 BK A/7	334824806	A-BLACK	GCP	PLR	M-B	-	-	-	4	SALEABLE		34950-0811	34950-0821	34951-0831	34951-0841
MX150 ASSY BLD 2X4 LG B/7	334824807	B-LIGHT GRAY	GCP	PLR	M-B	-	-	-	4	SALEABLE		34950-0811	34950-0821	34951-0831	34951-0841

ASSEMBLY DESCRIPTION	ASSEMBLY PART NUMBER	COMPONENT				BLOCKED TERMINALS				STATUS	COMMENT	OPTIONAL ATTACHMENTS SOLD SEPARATELY			
		THE PRESENCE OF AN ABBREVIATION INDICATES THE PRESENCE OF THAT COMPONENT				CAVITY WITH A NUMBER INDICATES BLOCKED TERMINAL POSITION CAVITY WITHOUT A NUMBER INDICATES OPEN TERMINAL POSITION						BACKSHELL WITH RIBS	BACKSHELL WITHOUT RIBS	90° ADAPTOR WITH RIBS	90° ADAPTOR WITHOUT RIBS
		HOUSING KEY/COLOR	GROMMET CAP	PLR	MAT SEAL										
MX150 ASSY BLD 2X4 BRC/7	334824808	C-BROWN	GCP	PLR	M-B	-	-	-	4	NOT RECOMMENDED	SEE 334824902	34950-0811	34950-0821	34951-0831	34951-0841
MX150 ASSY BLD 2X4 GRD/7	334824809	D-GREEN	GCP	PLR	M-B	-	-	-	4	NOT RECOMMENDED		34950-0811	34950-0821	34951-0831	34951-0841
MX150 ASSY BLD 2X4 BK A/6	334824811	A-BLACK	GCP	PLR	M-B	-	-	-	4	SALEABLE		34950-0811	34950-0821	34951-0831	34951-0841
						5	-	-	-						
MX150 ASSY BLD 2X4 LG B/6	334824812	B-LIGHT GRAY	GCP	PLR	M-B	-	-	-	4	SALEABLE		34950-0811	34950-0821	34951-0831	34951-0841
						5	-	-	-						
MX150 ASSY BLD 2X4 BRC/6	334824813	C-BROWN	GCP	PLR	M-B	-	-	-	4	NOT RECOMMENDED		34950-0811	34950-0821	34951-0831	34951-0841
						5	-	-	-						
MX150 ASSY BLD 2X4 GRD/6	334824814	D-GREEN	GCP	PLR	M-B	-	-	-	4	NOT RECOMMENDED		34950-0811	34950-0821	34951-0831	34951-0841
						5	-	-	-						
MX150 ASSY BLD 2X4 BK A/5	334824816	A-BLACK	GCP	PLR	M-B	1	-	-	4	SALEABLE		34950-0811	34950-0821	34951-0831	34951-0841
						5	-	-	-						
MX150 ASSY BLD 2X4 LG B/5	334824817	B-LIGHT GRAY	GCP	PLR	M-B	1	-	-	4	SALEABLE		34950-0811	34950-0821	34951-0831	34951-0841
						5	-	-	-						
MX150 ASSY BLD 2X4 BRC/5	334824818	C-BROWN	GCP	PLR	M-B	1	-	-	4	NOT RECOMMENDED		34950-0811	34950-0821	34951-0831	34951-0841
						5	-	-	-						
MX150 ASSY BLD 2X4 GRD/5	334824819	D-GREEN	GCP	PLR	M-B	1	-	-	4	NOT RECOMMENDED		34950-0811	34950-0821	34951-0831	34951-0841
						5	-	-	-						
MX150 ASSY BLD 2X4 BK A/4	334824821	A-BLACK	GCP	PLR	M-B	1	-	-	4	SALEABLE		34950-0811	34950-0821	34951-0831	34951-0841
						5	-	-	8						
MX150 ASSY BLD 2X4 LG B/4	334824822	B-LIGHT GRAY	GCP	PLR	M-B	1	-	-	4	SALEABLE		34950-0811	34950-0821	34951-0831	34951-0841
						5	-	-	8						
MX150 ASSY BLD 2X4 BRC/4	334824823	C-BROWN	GCP	PLR	M-B	1	-	-	4	NOT RECOMMENDED		34950-0811	34950-0821	34951-0831	34951-0841
						5	-	-	8						
MX150 ASSY BLD 2X4 GRD/4	334824824	D-GREEN	GCP	PLR	M-B	1	-	-	4	NOT RECOMMENDED		34950-0811	34950-0821	34951-0831	34951-0841
						5	-	-	8						
MX150 ASSY BLD 2X4 BK A/2	334824826	A-BLACK	GCP	PLR	M-B	1	2	3	-	SALEABLE		34950-0811	34950-0821	34951-0831	34951-0841
						-	6	7	8						
MX150 ASSY BLD 2X4 BK A/7	334824827	A-BLACK	GCP	PLR	M-B	-	-	-	-	SALEABLE		34950-0811	34950-0821	34951-0831	34951-0841
						-	-	-	8						
MX150 ASSY BLD 2X4 BK A/6	334824828	A-BLACK	GCP	PLR	M-B	-	-	3	-	SALEABLE		34950-0811	34950-0821	34951-0831	34951-0841
						5	-	-	-						
MX150 ASSY BLD 2X4 BK A/2	334824829	A-BLACK	GCP	PLR	M-B	-	2	3	4	SALEABLE		34950-0811	34950-0821	34951-0831	34951-0841
						5	6	7	-						
MX150 ASSY BLD 2X4 BK A/7	334824830	A-BLACK	GCP	PLR	M-B	-	-	-	-	SALEABLE		34950-0811	34950-0821	34951-0831	34951-0841
						-	6	-	-						
MX150 ASSY BLD 2X4 BK A/5	334824831	A-BLACK	GCP	PLR	M-B	-	-	3	-	SALEABLE		34950-0811	34950-0821	34951-0831	34951-0841
						5	6	-	-						
MX150 ASSY BLD 2X4 BK A/5	334824832	A-BLACK	GCP	PLR	M-B	-	-	-	-	SALEABLE		34950-0811	34950-0821	34951-0831	34951-0841
						5	6	-	8						
MX150 ASSY BLD 2X4 BK A/5	334824833	A-BLACK	GCP	PLR	M-B	1	-	3	-	SALEABLE		34950-0811	34950-0821	34951-0831	34951-0841
						5	-	-	-						
MX150 ASSY BLD 2X4 BK A/0	334824834	A-BLACK	GCP	PLR	M-B	1	2	3	4	SALEABLE		34950-0811	34950-0821	34951-0831	34951-0841
						5	6	7	8						
MX150 ASSY BLD 2X4 BK A/6	334824835	A-BLACK	GCP	PLR	M-B	-	-	-	-	SALEABLE		34950-0811	34950-0821	34951-0831	34951-0841
						-	-	7	8						
MX150 ASSY BLD 2X4 BK A/3	334824836	A-BLACK	GCP	PLR	M-B	-	2	3	-	SALEABLE		34950-0811	34950-0821	34951-0831	34951-0841
						-	6	7	8						
MX150 ASSY BLD 2X4 BK A/6	334824837	A-BLACK	GCP	PLR	M-B	1	-	-	4	SALEABLE		34950-0811	34950-0821	34951-0831	34951-0841
						-	-	-	-						
MX150 ASSY BLD 2X4 BK A/2	334824838	A-BLACK	GCP	PLR	M-B	-	2	3	-	SALEABLE		34950-0811	34950-0821	34951-0831	34951-0841
						5	6	7	8						

ASSEMBLY DESCRIPTION	ASSEMBLY PART NUMBER	COMPONENT				BLOCKED TERMINALS				STATUS	COMMENT	OPTIONAL ATTACHMENTS SOLD SEPARATELY			
		THE PRESENCE OF AN ABBREVIATION INDICATES THE PRESENCE OF THAT COMPONENT				CAVITY WITH A NUMBER INDICATES BLOCKED TERMINAL POSITION CAVITY WITHOUT A NUMBER INDICATES OPEN TERMINAL POSITION						BACKSHELL WITH RIBS	BACKSHELL WITHOUT RIBS	90° ADAPTOR WITH RIBS	90° ADAPTOR WITHOUT RIBS
		HOUSING KEY/COLOR	GROMMET CAP	PLR	MAT SEAL										
MX150 ASSY BLD 2X4 LG B/7	334824839	B-LIGHT GRAY	GCP	PLR	M-B	-	-	-	-	SALEABLE		34950-0811	34950-0821	34951-0831	34951-0841
						-	-	-	8						
MX150 ASSY BLD 2X4 BK A/3	334824840	A-BLACK	GCP	PLR	M-B	-	2	3	-	SALEABLE		34950-0811	34950-0821	34951-0831	34951-0841
						5	6	-	8						
MX150 ASSY BLD 2X4 BK A/6	334824841	A-BLACK	GCP	PLR	M-B	-	-	-	-	SALEABLE		34950-0811	34950-0821	34951-0831	34951-0841
						-	6	7	-						
MX150 ASSY BLD 2X4 BK A/7	334824842	A-BLACK	GCP	PLR	M-B	-	-	-	-	SALEABLE		34950-0811	34950-0821	34951-0831	34951-0841
						-	-	7	-						
MX150 ASSY BLD 2X4 BK A/6	334824843	A-BLACK	GCP	PLR	M-B	-	-	-	4	SALEABLE		34950-0811	34950-0821	34951-0831	34951-0841
						-	-	7	-						
MX150 ASSY BLD 2X4 BK A/6	334824844	A-BLACK	GCP	PLR	M-B	-	-	3	-	SALEABLE		34950-0811	34950-0821	34951-0831	34951-0841
						-	6	-	-						
MX150 ASSY BLD 2X4 BK A/3	334824845	A-BLACK	GCP	PLR	M-B	-	2	3	4	SALEABLE		34950-0811	34950-0821	34951-0831	34951-0841
						5	6	-	-						
MX150 ASSY BLD 2X4 BK A/4	334824846	A-BLACK	GCP	PLR	M-B	-	-	-	4	SALEABLE		34950-0811	34950-0821	34951-0831	34951-0841
						5	-	7	8						
MX150 ASSY BLD 2X4 LG B/0	334824847	B-LIGHT GRAY	GCP	PLR	M-B	1	2	3	4	SALEABLE		34950-0811	34950-0821	34951-0831	34951-0841
						5	6	7	8						
MX150 ASSY BLD 2X4 BK A/6	334824848	A-BLACK	GCP	PLR	M-B	1	-	-	-	SALEABLE		34950-0811	34950-0821	34951-0831	34951-0841
						5	-	-	-						
MX150 ASSY BLD 2X4 LG B/6	334824849	B-LIGHT GRAY	GCP	PLR	M-B	1	-	-	-	SALEABLE		34950-0811	34950-0821	34951-0831	34951-0841
						-	6	-	-						
MX150 ASSY BLD 2X4 YW A/6	334824850	A-YELLOW	GCP	PLR	M-B	1	-	-	4	SALEABLE		34950-0811	34950-0821	34951-0831	34951-0841
						-	-	-	-						
MX150 ASSY BLD 2X4 YW A/8	334824851	A-YELLOW	GCP	PLR	M-B	-	-	-	-	SALEABLE		34950-0811	34950-0821	34951-0831	34951-0841
						-	-	-	-						
MX150 ASSY BLD 2X4 DG C/8	334824852	C-DARK GRAY	GCP	PLR	M-B	-	-	-	-	SALEABLE		34950-0811	34950-0821	34951-0831	34951-0841
						-	-	-	-						
MX150 ASSY BLD 2X4 SG D/8	334824853	D-STONE GRAY	GCP	PLR	M-B	-	-	-	-	SALEABLE		34950-0811	34950-0821	34951-0831	34951-0841
						-	-	-	-						
MX150 ASSY BLD 2X4 BK A/4	334824854	A-BLACK	GCP	PLR	M-B	1	2	3	4	SALEABLE		34950-0811	34950-0821	34951-0831	34951-0841
						-	-	-	-						
MX150 ASSY BLD 2X4 BK A/2	334824855	A-BLACK	GCP	PLR	M-B	1	2	-	-	SALEABLE		34950-0811	34950-0821	34951-0831	34951-0841
						5	6	7	8						
MX150 ASSY BLD 2X4 BK A/6	334824856	A-BLACK	GCP	PLR	M-B	1	2	-	-	SALEABLE		34950-0811	34950-0821	34951-0831	34951-0841
						-	-	-	-						
MX150 ASSY BLD 2X4 BK A/4	334824857	A-BLACK	GCP	PLR	M-B	1	2	3	-	SALEABLE		34950-0811	34950-0821	34951-0831	34951-0841
						5	-	-	-						
MX150 ASSY BLD 2X4 BK A/2	334824858	A-BLACK	GCP	PLR	M-B	1	2	3	4	SALEABLE		34950-0811	34950-0821	34951-0831	34951-0841
						5	-	-	8						
MX150 ASSY BLD 2X4 BK A/3	334824859	A-BLACK	GCP	PLR	M-B	1	-	3	-	SALEABLE		34950-0811	34950-0821	34951-0831	34951-0841
						5	6	7	-						
MX150 ASSY BLD 2X4 BK A/2	334824860	A-BLACK	GCP	PLR	M-B	1	2	3	4	SALEABLE		34950-0811	34950-0821	34951-0831	34951-0841
						5	6	-	-						
MX150 ASSY BLD 2X4 BK A/4	334824861	A-BLACK	GCP	PLR	M-B	1	2	3	-	SALEABLE		34950-0811	34950-0821	34951-0831	34951-0841
						-	6	-	-						
MX150 ASSY BLD 2X4 BK A/6	334824862	A-BLACK	GCP	PLR	M-B	1	-	-	-	SALEABLE		34950-0811	34950-0821	34951-0831	34951-0841
						-	6	-	-						
MX150 ASSY BLD 2X4 BK A/4	334824863	A-BLACK	GCP	PLR	M-B	1	-	-	-	SALEABLE		34950-0811	34950-0821	34951-0831	34951-0841
						-	6	7	8						
MX150 ASSY BLD 2X4 BK A/2	334824864	A-BLACK	GCP	PLR	M-B	-	-	3	4	SALEABLE		34950-0811	34950-0821	34951-0831	34951-0841
						5	6	7	8						
MX150 ASSY BLD 2X4 BK A/5	334824865	A-BLACK	GCP	PLR	M-B	-	-	-	4	SALEABLE		34950-0811	34950-0821	34951-0831	34951-0841
						-	-	7	8						

ASSEMBLY DESCRIPTION	ASSEMBLY PART NUMBER	COMPONENT				BLOCKED TERMINALS				STATUS	COMMENT	OPTIONAL ATTACHMENTS SOLD SEPARATELY			
		THE PRESENCE OF AN ABBREVIATION INDICATES THE PRESENCE OF THAT COMPONENT				CAVITY WITH A NUMBER INDICATES BLOCKED TERMINAL POSITION CAVITY WITHOUT A NUMBER INDICATES OPEN TERMINAL POSITION						BACKSHELL WITH RIBS	BACKSHELL WITHOUT RIBS	90° ADAPTOR WITH RIBS	90° ADAPTOR WITHOUT RIBS
		HOUSING KEY/COLOR	GROMMET CAP	PLR	MAT SEAL										
MX150 ASSY BLD 2X4 BK A/3	334824866	A-BLACK	GCP	PLR	M-B	-	-	-	4	SALEABLE		34950-0811	34950-0821	34951-0831	34951-0841
						5	6	7	8						
MX150 ASSY BLD 2X4 BK A/2	334824867	A-BLACK	GCP	PLR	M-B	-	2	3	4	SALEABLE		34950-0811	34950-0821	34951-0831	34951-0841
						-	6	7	8						
MX150 ASSY BLD 2X4 BK A/5	334824868	A-BLACK	GCP	PLR	M-B	-	-	-	-	SALEABLE		34950-0811	34950-0821	34951-0831	34951-0841
						5	6	7	-						
MX150 ASSY BLD 2X4 BK A/6	334824869	A-BLACK	GCP	PLR	M-B	-	-	3	4	SALEABLE		34950-0811	34950-0821	34951-0831	34951-0841
						-	-	-	-						
MX150 ASSY BLD 2X4 BK A/5	334824870	A-BLACK	GCP	PLR	M-B	-	-	-	-	SALEABLE		34950-0811	34950-0821	34951-0831	34951-0841
						-	6	7	8						
MX150 ASSY BLD 2X4 LG B/6	334824871	B-LIGHT GRAY	GCP	PLR	M-B	-	-	-	-	SALEABLE		34950-0811	34950-0821	34951-0831	34951-0841
						-	-	7	8						
MX150 ASSY BLD 2X4 BK A/6	334824872	A-BLACK	GCP	PLR	M-B	1	-	-	-	SALEABLE		34950-0811	34950-0821	34951-0831	34951-0841
						-	-	-	8						
MX150 ASSY BLD 2X4 BK A/6	334824873	A-BLACK	GCP	PLR	M-B	-	-	-	-	SALEABLE		34950-0811	34950-0821	34951-0831	34951-0841
						-	6	-	8						
MX150 ASSY BLD 2X4 BK A/6	334824874	A-BLACK	GCP	PLR	M-B	-	2	-	-	SALEABLE		34950-0811	34950-0821	34951-0831	34951-0841
						5	-	-	-						
MX150 ASSY BLD 2X4 BK A/7	334824875	A-BLACK	GCP	PLR	M-B	-	-	-	-	SALEABLE		34950-0811	34950-0821	34951-0831	34951-0841
						5	-	-	-						
MX150 ASSY BLD 2X4 LG B/5	334824876	B-LIGHT GRAY	GCP	PLR	M-B	1	-	3	-	SALEABLE		34950-0811	34950-0821	34951-0831	34951-0841
						-	-	-	8						
MX150 ASSY BLD 2X4 LG B/6	334824877	B-LIGHT GRAY	GCP	PLR	M-B	-	-	3	-	SALEABLE		34950-0811	34950-0821	34951-0831	34951-0841
						-	-	-	8						
MX150 ASSY BLD 2X4 LG B/7	334824878	B-LIGHT GRAY	GCP	PLR	M-B	1	-	-	-	SALEABLE		34950-0811	34950-0821	34951-0831	34951-0841
						-	-	-	-						
MX150 ASSY BLD 2X4 BK A/2	334824879	A-BLACK	GCP	PLR	M-B	1	2	3	4	SALEABLE		34950-0811	34950-0821	34951-0831	34951-0841
						5	-	7	-						
MX150 ASSY BLD 2X4 BK A/7	334824880	A-BLACK	GCP	PLR	M-B	1	-	-	-	SALEABLE		34950-0811	34950-0821	34951-0831	34951-0841
						-	-	-	-						
MX150 ASSY BLD 2X4 BK A/6	334824881	A-BLACK	GCP	PLR	M-B	-	-	-	-	SALEABLE		34950-0811	34950-0821	34951-0831	34951-0841
						5	-	-	8						
MX150 ASSY BLD 2X4 BK A/6	334824882	A-BLACK	GCP	PLR	M-B	-	-	-	4	SALEABLE		34950-0811	34950-0821	34951-0831	34951-0841
						-	6	-	-						
MX150 ASSY BLD 2X4 BK A/6	334824883	A-BLACK	GCP	PLR	M-B	1	-	-	-	SALEABLE		34950-0811	34950-0821	34951-0831	34951-0841
						-	-	7	-						
MX150 ASSY BLD 2X4 BK A/3	334824884	A-BLACK	GCP	PLR	M-B	1	2	3	4	SALEABLE		34950-0811	34950-0821	34951-0831	34951-0841
						-	-	7	-						
MX150 ASSY BLD 2X4 BK A/3	334824885	A-BLACK	GCP	PLR	M-B	1	2	-	-	SALEABLE		34950-0811	34950-0821	34951-0831	34951-0841
						5	6	-	8						
MX150 ASSY BLD 2X4 BK A/5	334824886	A-BLACK	GCP	PLR	M-B	-	2	3	-	SALEABLE		34950-0811	34950-0821	34951-0831	34951-0841
						-	-	-	8						
MX150 ASSY BLD 2X4 BK A/3	334824887	A-BLACK	GCP	PLR	M-B	1	-	3	4	SALEABLE		34950-0811	34950-0821	34951-0831	34951-0841
						-	-	7	8						
MX150 ASSY BLD 2X4 BK A/5	334824888	A-BLACK	GCP	PLR	M-B	-	-	-	4	SALEABLE		34950-0811	34950-0821	34951-0831	34951-0841
						5	6	-	-						
MX150 ASSY BLD 2X4 BK A/2	334824889	A-BLACK	GCP	PLR	M-B	1	2	-	4	SALEABLE		34950-0811	34950-0821	34951-0831	34951-0841
						5	6	-	8						
MX150 ASSY BLD 2X4 BK A/6	334824890	A-BLACK	GCP	PLR	M-B	-	-	-	4	SALEABLE		34950-0811	34950-0821	34951-0831	34951-0841
						-	-	-	8						
MX150 ASSY BLD 2X4 BK A/5	334824891	A-BLACK	GCP	PLR	M-B	-	-	-	4	SALEABLE		34950-0811	34950-0821	34951-0831	34951-0841
						5	-	-	8						
MX150 ASSY BLD 2X4 BK A/4	334824892	A-BLACK	GCP	PLR	M-B	-	2	3	-	SALEABLE		34950-0811	34950-0821	34951-0831	34951-0841
						5	-	-	8						

ASSEMBLY DESCRIPTION	ASSEMBLY PART NUMBER	COMPONENT				BLOCKED TERMINALS				STATUS	COMMENT	OPTIONAL ATTACHMENTS SOLD SEPARATELY			
		THE PRESENCE OF AN ABBREVIATION INDICATES THE PRESENCE OF THAT COMPONENT				CAVITY WITH A NUMBER INDICATES BLOCKED TERMINAL POSITION CAVITY WITHOUT A NUMBER INDICATES OPEN TERMINAL POSITION						BACKSHELL WITH RIBS	BACKSHELL WITHOUT RIBS	90° ADAPTOR WITH RIBS	90° ADAPTOR WITHOUT RIBS
		HOUSING KEY/COLOR	GROMMET CAP	PLR	MAT SEAL	1	2	3	4						
MX150 ASSY BLD 2X4 BK A/1	334824893	A-BLACK	GCP	PLR	M-B	1	2	3	4	SALEABLE		34950-0811	34950-0821	34951-0831	34951-0841
						5	-	7	8						
MX150 ASSY BLD 2X4 BK A/4	334824894	A-BLACK	GCP	PLR	M-B	-	-	3	4	SALEABLE		34950-0811	34950-0821	34951-0831	34951-0841
						5	-	7	-						
MX150 ASSY BLD 2X4 BK A/6	334824895	A-BLACK	GCP	PLR	M-B	-	-	3	-	SALEABLE		34950-0811	34950-0821	34951-0831	34951-0841
						-	-	7	-						
MX150 ASSY BLD 2X4 BK A/3	334824896	A-BLACK	GCP	PLR	M-B	1	2	-	4	SALEABLE		34950-0811	34950-0821	34951-0831	34951-0841
						5	-	7	-						
MX150 ASSY BLD 2X4 BK A/5	334824897	A-BLACK	GCP	PLR	M-B	-	-	-	4	SALEABLE		34950-0811	34950-0821	34951-0831	34951-0841
						5	-	7	-						
MX150 ASSY BLD 2X4 BK A/7	334824898	A-BLACK	GCP	PLR	M-B	-	2	-	-	SALEABLE		34950-0811	34950-0821	34951-0831	34951-0841
						-	-	-	-						
MX150 ASSY BLD 2X4 BK A/1	334824899	A-BLACK	GCP	PLR	M-B	1	-	3	4	SALEABLE		34950-0811	34950-0821	34951-0831	34951-0841
						5	6	7	8						
MX150 ASSY BLD 2X4 BK A/4	334824900	A-BLACK	GCP	PLR	M-B	-	-	-	-	SALEABLE		34950-0811	34950-0821	34951-0831	34951-0841
						5	6	7	8						
MX150 ASSY BLD 2X4 BK A/7	334824901	A-BLACK	GCP	PLR	M-B	-	-	3	-	SALEABLE		34950-0811	34950-0821	34951-0831	34951-0841
						-	-	-	-						
MX150 ASSY BLD 2X4 DG C/7	334824902	C-DARK GRAY	GCP	PLR	M-B	-	-	-	4	SALEABLE		34950-0811	34950-0821	34951-0831	34951-0841
						-	-	-	-						
MX150 ASSY BLD 2X4 BK A/6	334825000	A-BLACK	GCP	PLR	M-B	-	2	-	-	SALEABLE		34950-0811	34950-0821	34951-0831	34951-0841
						-	-	-	8						
MX150 ASSY BLD 2X4 BK A/8	334825001	A-BLACK	GCP	PLR	M-B	-	-	-	-	SALEABLE		34950-0811	34950-0821	34951-0831	34951-0841
						-	-	-	-						
MX150 ASSY BLD 2X4 BK A/2	334825002	A-BLACK	GCP	PLR	M-B	1	2	3	-	SALEABLE		34950-0811	34950-0821	34951-0831	34951-0841
						5	6	-	8						
MX150 ASSY BLD 2X4 BK A/5	334825003	A-BLACK	GCP	PLR	M-B	-	-	-	-	SALEABLE		34950-0811	34950-0821	34951-0831	34951-0841
						5	6	7	-						
MX150 ASSY BLD 2X4 BK A/5	334825004	A-BLACK	GCP	PLR	M-B	-	-	-	-	SALEABLE		34950-0811	34950-0821	34951-0831	34951-0841
						-	6	7	8						
MX150 ASSY BLD 2X4 BK A/3	334825005	A-BLACK	GCP	PLR	M-B	1	-	-	-	SALEABLE		34950-0811	34950-0821	34951-0831	34951-0841
						5	6	7	8						
MX150 ASSY BLD 2X4 LG B/4	334825006	B-LIGHT GRAY	GCP	PLR	M-B	-	2	3	4	SALEABLE		34950-0811	34950-0821	34951-0831	34951-0841
						-	-	7	-						
MX150 ASSY BLD 2X4 BK A/3	334825007	A-BLACK	GCP	PLR	M-B	1	2	3	4	SALEABLE		34950-0811	34950-0821	34951-0831	34951-0841
						5	-	-	-						
MX150 ASSY BLD 2X4 BK A/3	334825008	A-BLACK	GCP	PLR	M-B	1	-	3	4	SALEABLE		34950-0811	34950-0821	34951-0831	34951-0841
						-	-	7	8						
MX150 ASSY BLD 2X4 BK A/3	334825009	A-BLACK	GCP	PLR	M-B	1	2	-	4	SALEABLE		34950-0811	34950-0821	34951-0831	34951-0841
						5	6	-	-						
MX150 ASSY BLD 2X4 LG B/6	334825010	B-LIGHT GRAY	GCP	PLR	M-B	-	-	-	4	SALEABLE		34950-0811	34950-0821	34951-0831	34951-0841
						-	-	7	-						
MX150 ASSY BLD 2X4 LG B/4	334825011	B-LIGHT GRAY	GCP	PLR	M-B	-	-	-	-	SALEABLE		34950-0811	34950-0821	34951-0831	34951-0841
						5	6	7	8						
MX150 ASSY BLD 2X4 BK A/4	334825012	A-BLACK	GCP	PLR	M-B	-	2	3	4	SALEABLE		34950-0811	34950-0821	34951-0831	34951-0841
						-	-	7	-						
MX150 ASSY BLD 2X4 BK A/4	334825013	A-BLACK	GCP	PLR	M-B	-	-	-	-	SALEABLE		34950-0811	34950-0821	34951-0831	34951-0841
						5	6	7	8						

TABLE OF CONTENTS	
SHEET NO.	SHEET DESCRIPTION
1	NOTES AND BOM
2	CONFIGURATIONS
3-4	KEY CONFIGURATIONS
5	BLADE SEALED ASSEMBLY
6	SYSTEM PACKAGING
7	BACKSHELL NOTES
8	BACKSHELL
9	BACKSHELL CONFIGURATIONS

NOTES: VALID UNLESS OTHERWISE SPECIFIED

1. GENERAL:
a. APPLICATION SPECIFICATION SEE: AS-33472-100
-CONTAINS: PRODUCT INTRODUCTION, PRODUCT SUMMARY, CONNECTOR ASSEMBLY, PACKAGING INFORMATION, CONNECTOR MATING, SERVICE INSTRUCTIONS, ELECTRICAL CONTINUITY CHECKING, CRIMPING, AND TROUBLESHOOTING.
-DESIGNED TO MATE WITH RECEPTACLE SEALED ASSEMBLY AS SPECIFIED IN THE MATING CONNECTOR DRAWINGS CHART.
*DENOTES DRAWINGS THAT CAN BE ACCESSED AT <http://ewcap.uscarteams.org/>.
-ASSEMBLY SHIPPED WITH PLR IN PRE-LOCK POSITION (SEE PLR PRE-LOCK VIEW SHEET 5).

b. PRODUCT SPECIFICATION SEE:
-STANDARD CONFIGURATION: PS-33472-000
-UL V0 CONFIGURATION: TBD
CONTAINS: PRODUCT INTRODUCTION, PRODUCT SUMMARY, RATINGS (CURRENT, TEMPERATURE, SEALING, AND FLAMMABILITY), TERMINALS, WIRE DIAMETER RANGE, PRODUCT VALIDATION, AND PRODUCT DEVIATIONS.

c. PACKAGING SPECIFICATION PER MOLEX DRAWING: PK-31300-635

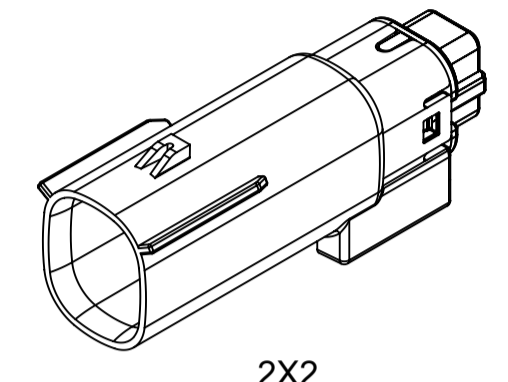
d. PARTS MUST BE IN COMPLIANCE TO MOLEX CHEMICAL SUBSTANCES FOR PRODUCTS AND PACKAGING SPECIFICATION: QEHS-699000-300

e. DATA MUST BE SUBMITTED UNDER THE MOLEX PART NUMBER TO IMDS (COMPANY ID#13255)

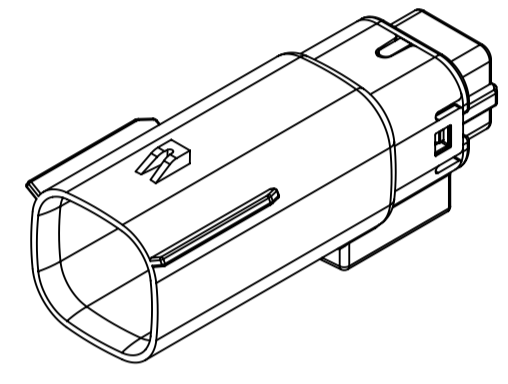
2. DESIGN - MATERIALS:
a. FOR BILL OF MATERIALS SEE:
-STANDARD CONFIGURATION: SD-33482-0002
-UL V0 CONFIGURATION: SD-160084-0002

3. DESIGN - GEOMETRY:
a. THE 3-D CAD DATA IS BASIC (WITHOUT TOLERANCE) AND MASTER FOR THIS PART WITH THE EXCEPTION OF UNDERLINED DIMENSIONS. DIMENSIONAL INFORMATION NOT SHOWN ON THIS DRAWING IS DEFINED BY THE DATA FILE AT ITS LATEST REVISION.
b. GEOMETRIC DIMENSIONS AND TOLERANCES PER ASME Y14.5M-2009
c. EDGES AND UNDIMENSIONED DETAILS PER ISO13715
d. CORNERS SHOWN AS SHARP TO BE R 0.2 MAX.
e. LETTERING SHALL BE 0.15 MAX RAISED IN 0.25 MAX RECESS PAD. THIS INCLUDES RECYCLING CODE, CAVITY ID, VENDOR IDENTIFICATION, AND CUSTOMER MATERIAL NUMBER.
f. VISUAL DEFECTS SHALL MEET COSMETIC STANDARD PS-45499-002 (Class B).
g. LASER MARKING:
1. PART NUMBER
2. DAY OF THE YEAR
3. SHIFT
4. YEAR
FOR ADDITIONAL INFORMATION SEE SECTION 5 UNDER PROCEDURES IN ES-34735-008.

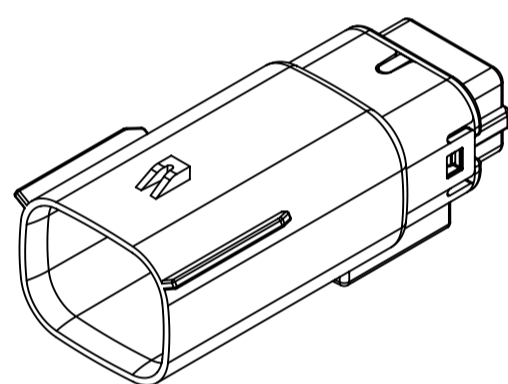
MATING CONNECTOR DRAWINGS	
DESCRIPTION	MOLEX INLINE
2X2	SD-33472-0001
2X3	SD-33472-0001
2X4	SD-33472-0001
2X6	SD-33472-0001
2X8	SD-33472-0001
2X10	SD-33472-0001



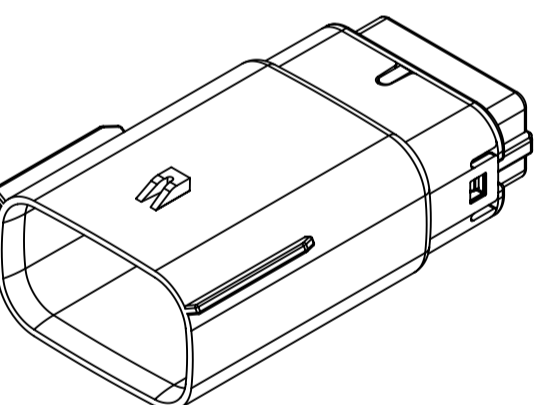
2X2



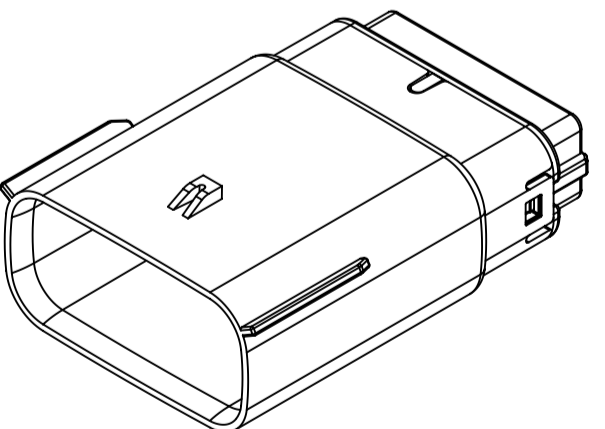
2X3



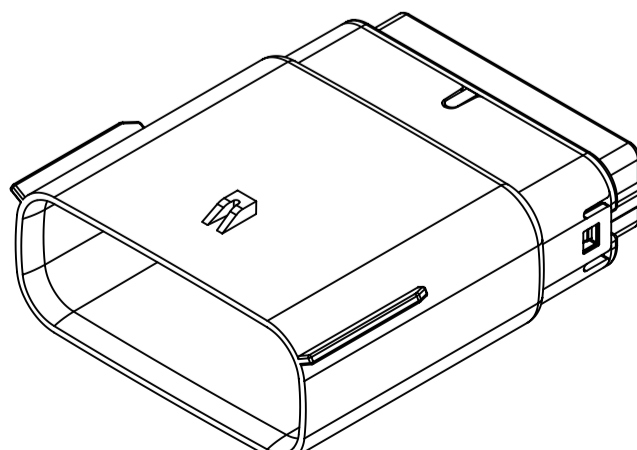
2X4



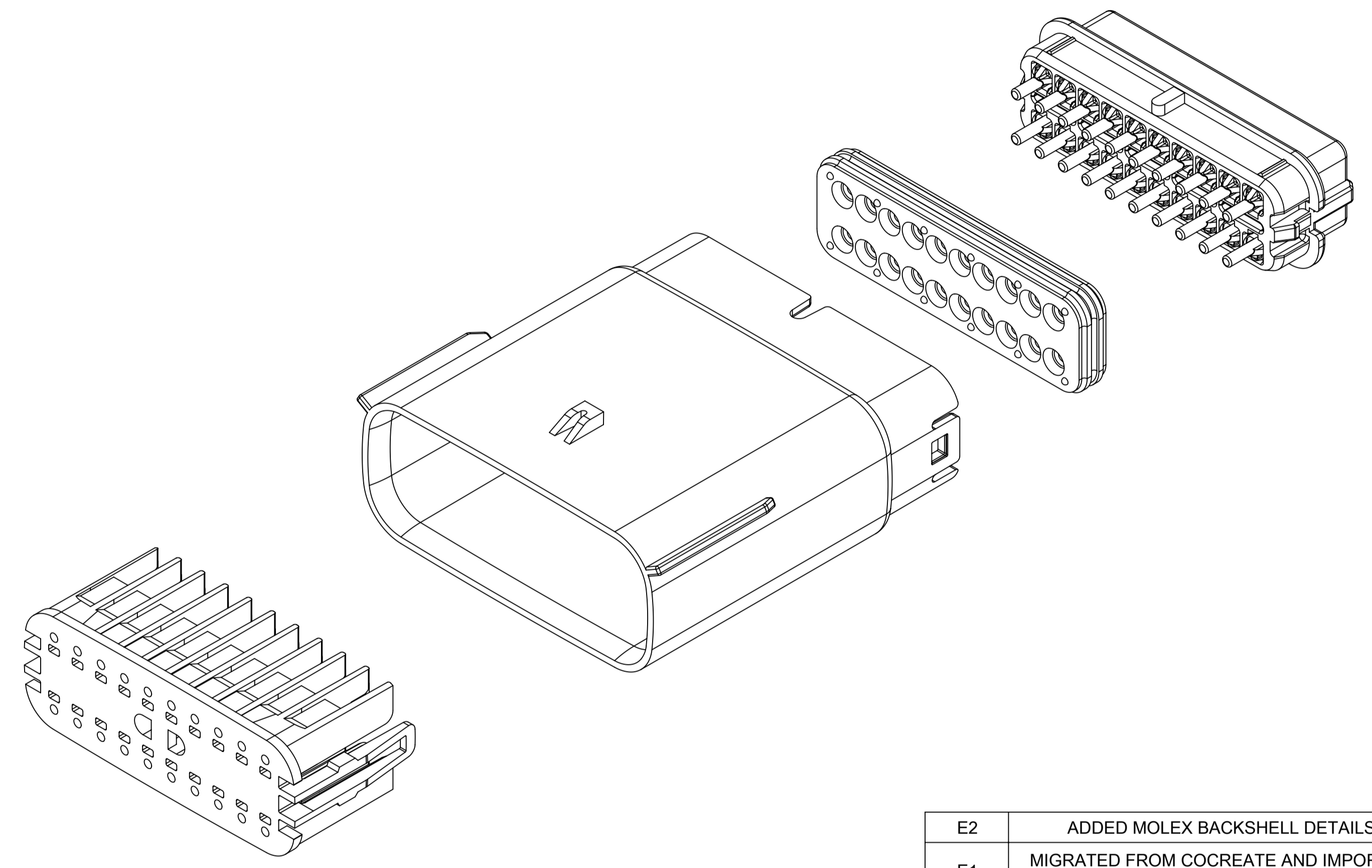
2X6



2X8



2X10

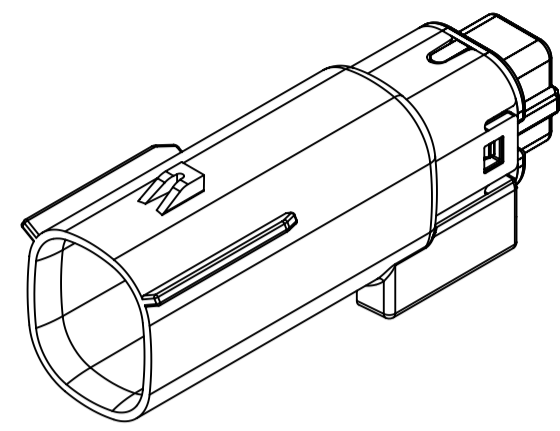


INSPECTION NUMBER LOG	
LAST NUMBER:	9
ADDED:	
REMOVED:	

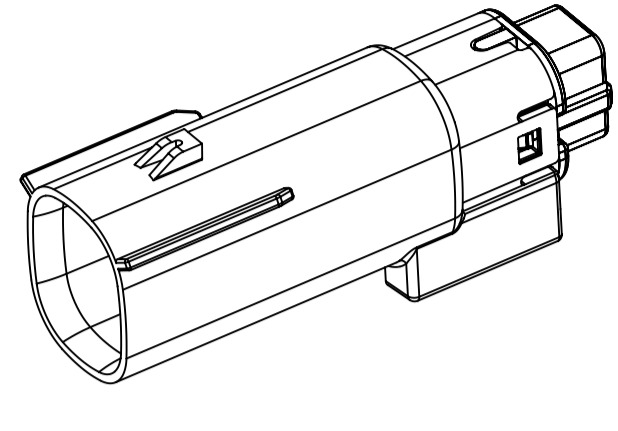
E2	ADDED MOLEX BACKSHELL DETAILS
E1	MIGRATED FROM COCREATE AND IMPORTED DXF FILES
E	ADDED CHARTED DIMENSIONS FOR 2X2, 2X4, 2X6 AND 2X8 WITH CLIPSLLOT
D	MINOR GEOMETRY CHANGE FOR UL V0
C3	ADD 2X4
C2	ADD 2X3
C1	ADD UL V0 CONFIGURATIONS
C	ADD 2X8
B1	ADD 2X6 BACKSHELL INFO
B	ADD 2X6
A	INITIAL RELEASE
REV	REV DESCRIPTION

SYMBOLS = 0 = 0 = 0 = 0 = 0 = 0 = 0 = 0 = 0	THIS DRAWING CONTAINS INFORMATION THAT IS PROPRIETARY TO MOLEX ELECTRONIC TECHNOLOGIES, LLC AND SHOULD NOT BE USED WITHOUT WRITTEN PERMISSION		CURRENT REV DESC: EC NO: 171650 DRWN: PMANJUNATHAC 2018/01/03 CHK'D: MVANSLAMBROU 2018/02/16 APPR: MVANSLAMBROU 2018/02/16		 MX150 BLADE DUAL ROW SEALED ASSEMBLY MAT SEAL PRODUCT CUSTOMER DRAWING	
	DIMENSION UNITS: mm SCALE: 1.5:1	GENERAL TOLERANCES (UNLESS SPECIFIED) ANGULAR TOL ± 1.0°		INITIAL REVISION: DRWN: APROFFITT 2014/04/28 APPR: VKOSHY 2014/05/14		DOCUMENT NUMBER: SD-33482-0001 DOC TYPE: PSD DOC PART: 001 REVISION: E2
	4 PLACES ± 3 PLACES ± 2 PLACES ± 0.1 1 PLACE ± 0.2 0 PLACES ±	DRAFT WHERE APPLICABLE MUST REMAIN WITHIN DIMENSIONS		THIRD ANGLE PROJECTION 		MATERIAL NUMBER: 33482 DRAWING: A1-SIZE SERIES: 33482
	CUSTOMER: GENERAL MARKET		SHEET NUMBER: 1 OF 11			

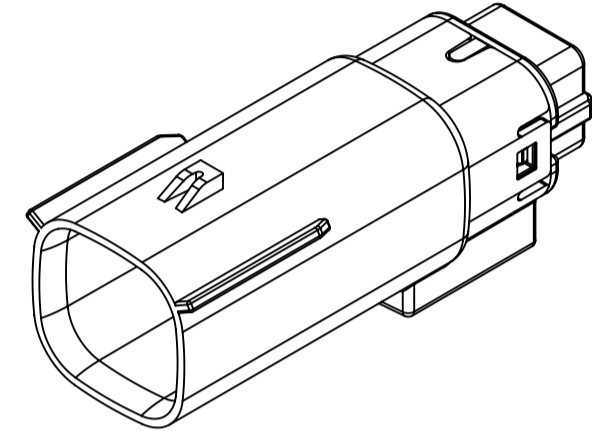
SHEET DESCRIPTION
CONFIGURATIONS



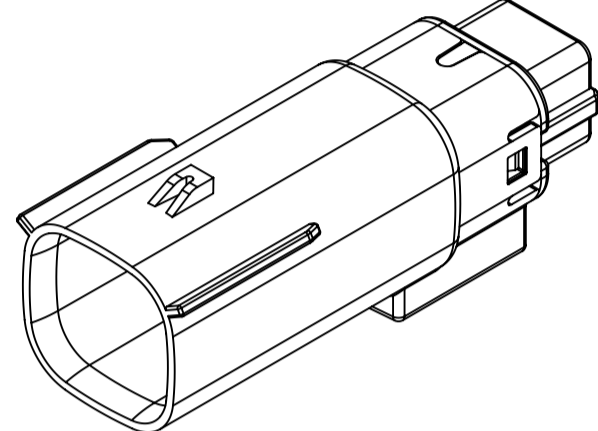
2X2 - STANDARD (STD)



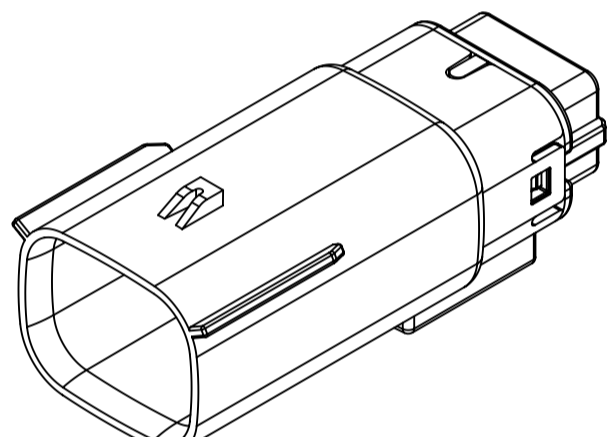
2X2 - UL V0*



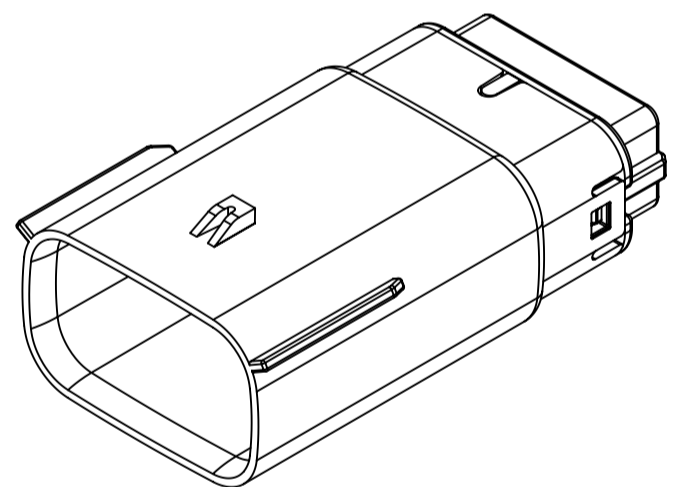
2X3 - STANDARD (STD)



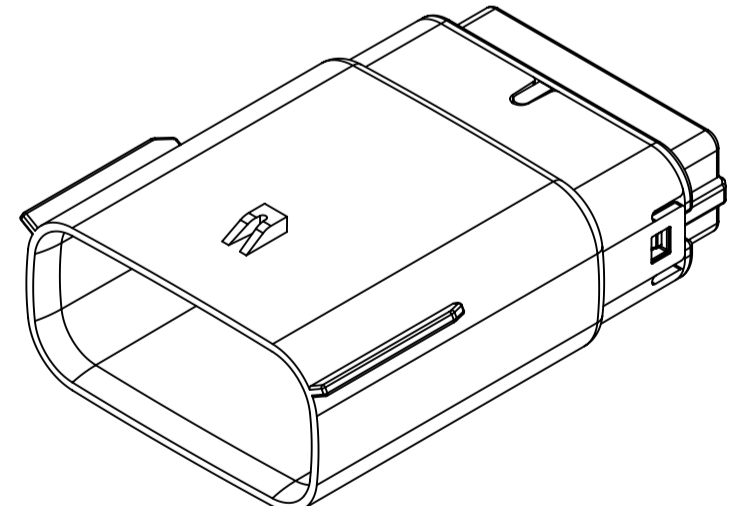
2X3 - LENGTHENED



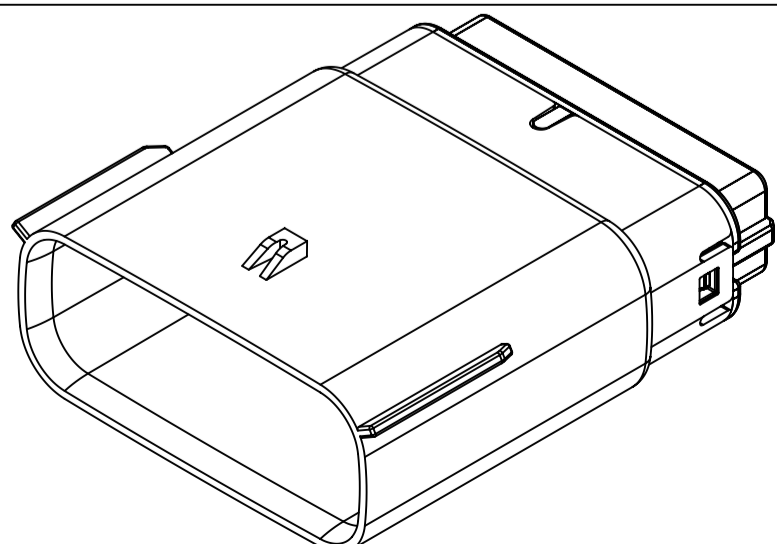
2X4 - STANDARD (STD)



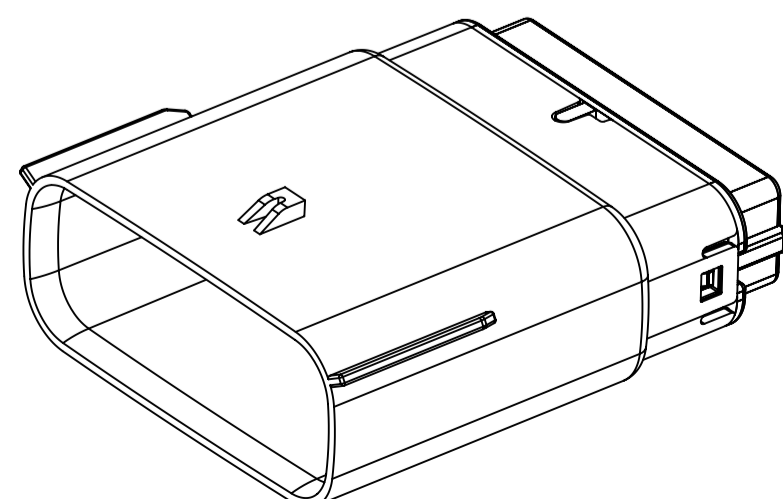
2X6 - STANDARD (STD)



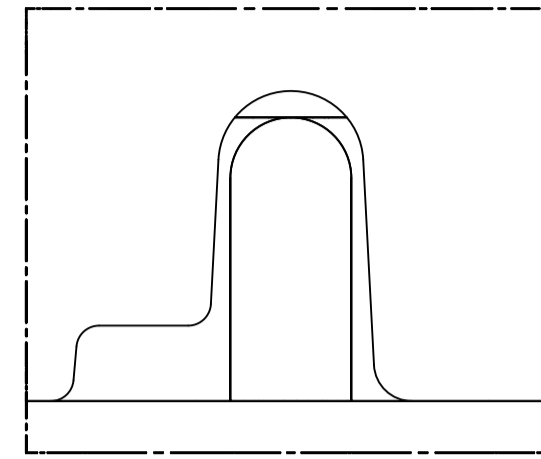
2X8 - STANDARD (STD)



2X10 - STANDARD (STD)



2X10 - UL V0*



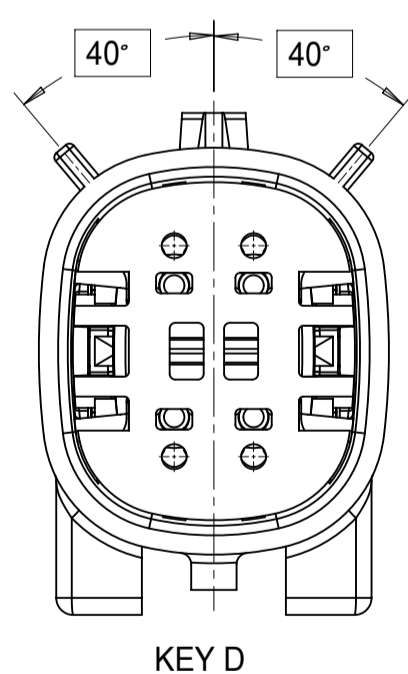
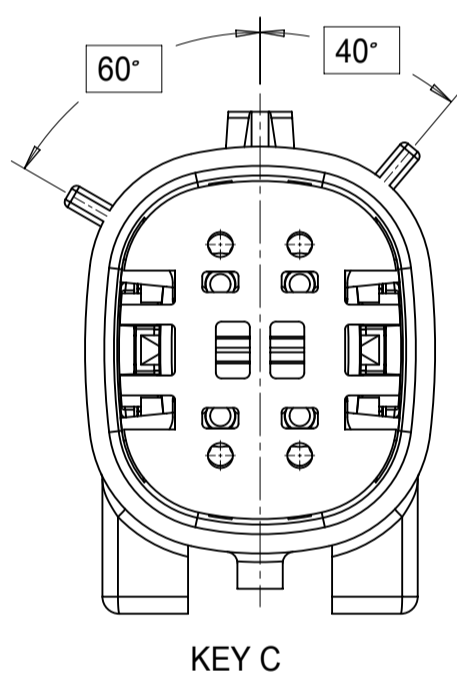
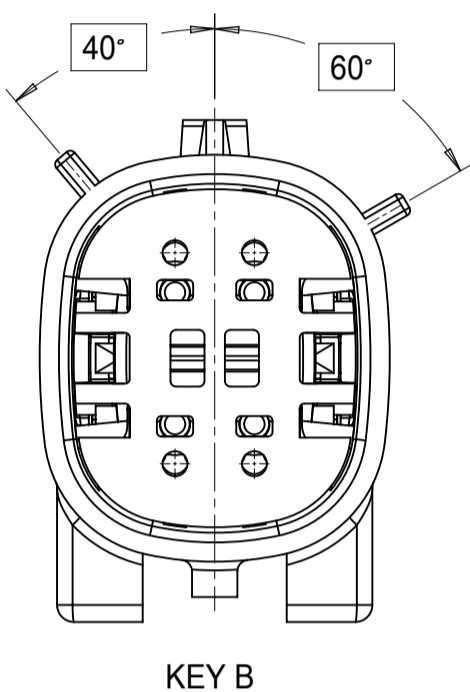
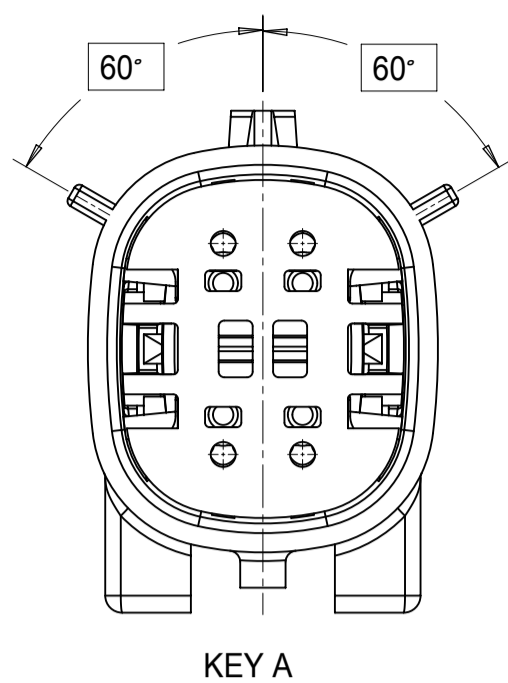
UL V0 UNIQUE FEATURE
Partial1
SCALE 10:1

* MINOR GEOMETRY CHANGE THAN STANDARD CONFIGURATION.
SEE NOTE 2a FOR MORE INFORMATION

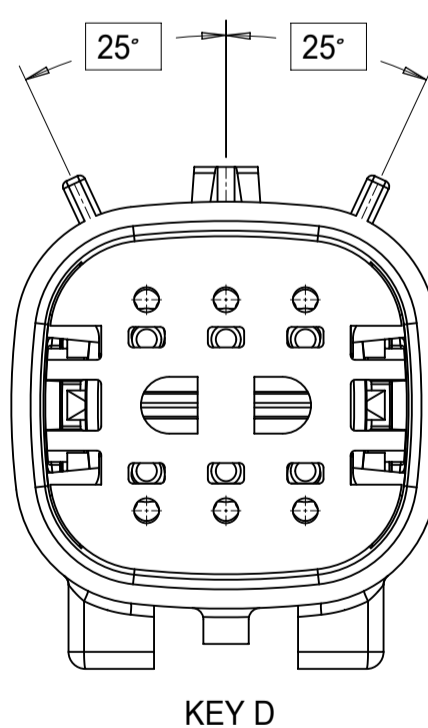
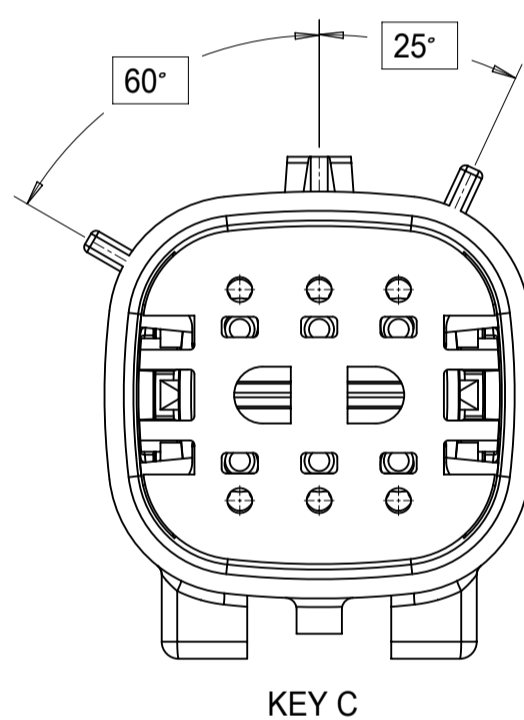
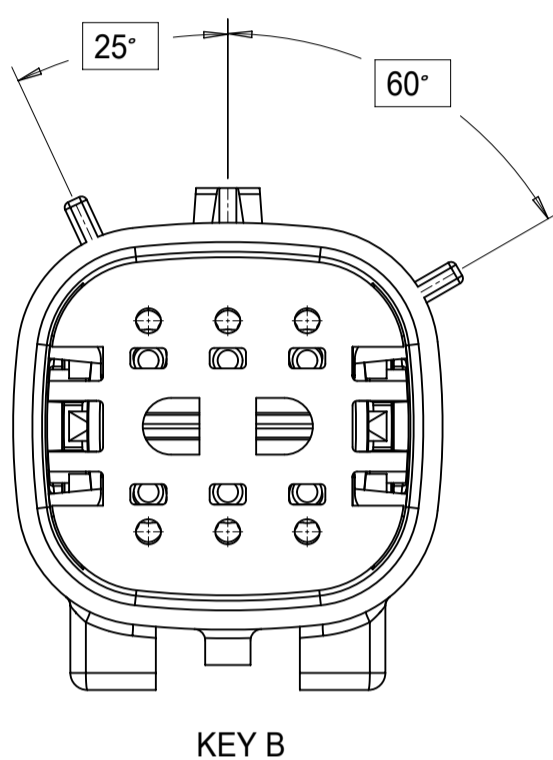
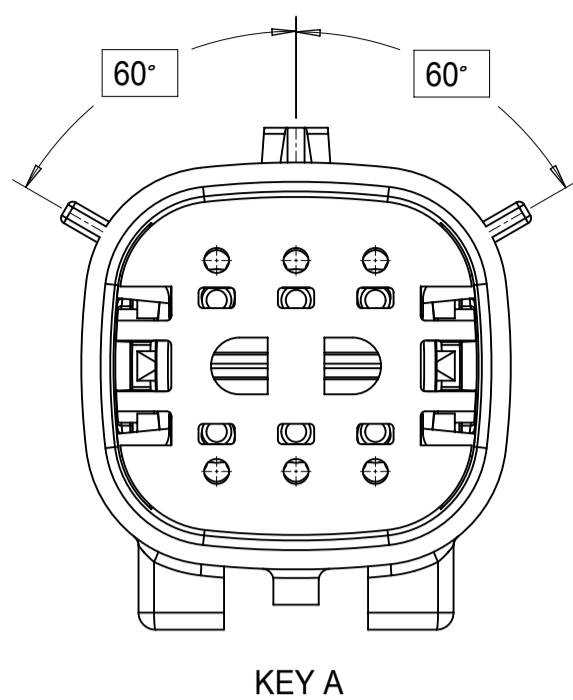
SYMBOLS = 0 = 0 = 0 = 0 = 0 = 0 = 0 = 0 = 0 = 0 = 0 = 0	THIS DRAWING CONTAINS INFORMATION THAT IS PROPRIETARY TO MOLEX ELECTRONIC TECHNOLOGIES, LLC AND SHOULD NOT BE USED WITHOUT WRITTEN PERMISSION		DIMENSION UNITS: mm SCALE: 1.5:1		CURRENT REV DESC: EC NO: 171650 DRWN: PMANJUNATHAC 2018/01/03 CHK'D: MVANSLAMBROU 2018/02/16 APPR: MVANSLAMBROU 2018/02/16		 MX150 BLADE DUAL ROW SEALED ASSEMBLY MAT SEAL			
	GENERAL TOLERANCES (UNLESS SPECIFIED)		ANGULAR TOL ± 1.0°		INITIAL REVISION: DRWN: APROFFITT 2014/04/28 APPR: VKOSHY 2014/05/14				PRODUCT CUSTOMER DRAWING	
	4 PLACES ±		3 PLACES ±		2 PLACES ± 0.1		1 PLACE ± 0.2		DOCUMENT NUMBER: SD-33482-0001 DOC TYPE: PSD DOC PART: 001 REVISION: E2	
	0 PLACES ±		DRAFT WHERE APPLICABLE MUST REMAIN WITHIN DIMENSIONS		THIRD ANGLE PROJECTION		DRAWING: A1-SIZE SERIES: 33482		MATERIAL NUMBER: CUSTOMER: GENERAL MARKET SHEET NUMBER: 2 OF 11	
	DIMENSION UNITS: mm SCALE: 1.5:1		GENERAL TOLERANCES (UNLESS SPECIFIED)		ANGULAR TOL ± 1.0°		INITIAL REVISION: DRWN: APROFFITT 2014/04/28 APPR: VKOSHY 2014/05/14		PRODUCT CUSTOMER DRAWING	
	4 PLACES ±		3 PLACES ±		2 PLACES ± 0.1		1 PLACE ± 0.2		DOCUMENT NUMBER: SD-33482-0001 DOC TYPE: PSD DOC PART: 001 REVISION: E2	
	0 PLACES ±		DRAFT WHERE APPLICABLE MUST REMAIN WITHIN DIMENSIONS		THIRD ANGLE PROJECTION		DRAWING: A1-SIZE SERIES: 33482		MATERIAL NUMBER: CUSTOMER: GENERAL MARKET SHEET NUMBER: 2 OF 11	

SHEET DESCRIPTION
KEY CONFIGURATIONS

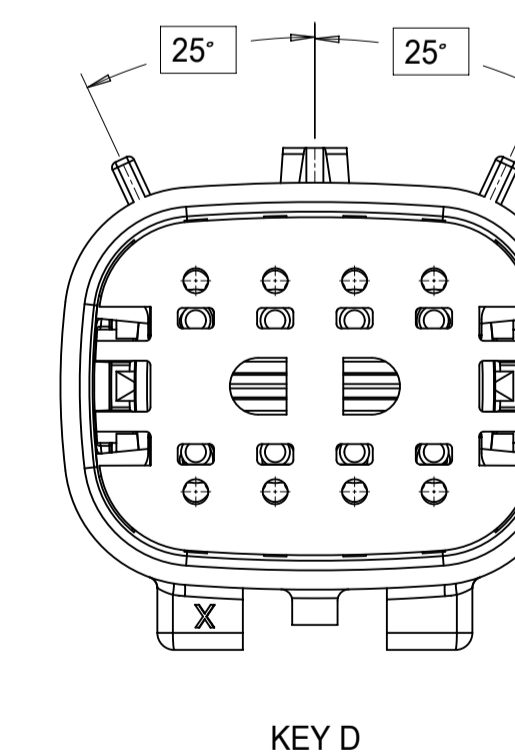
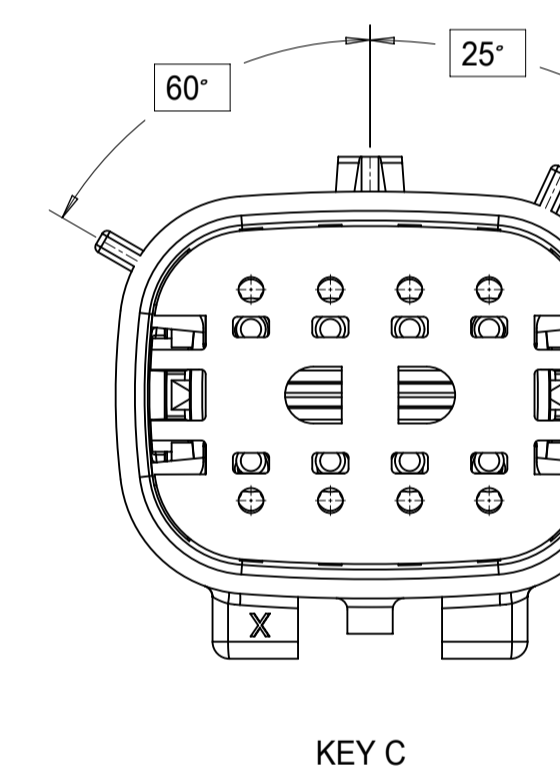
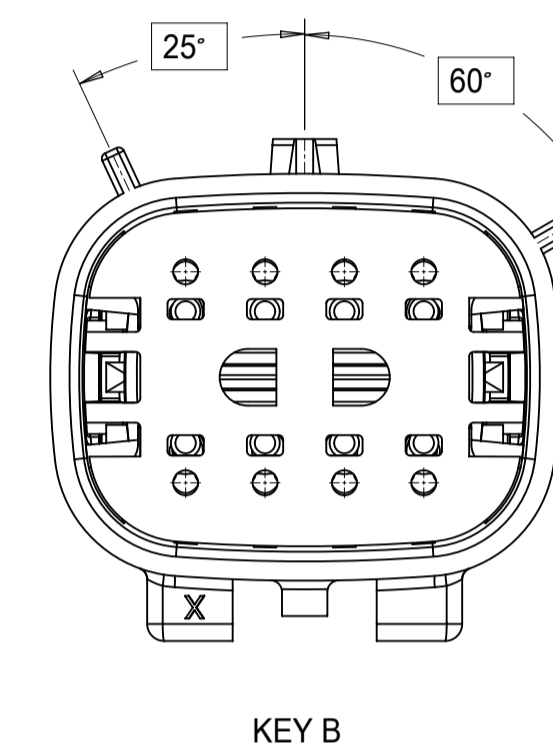
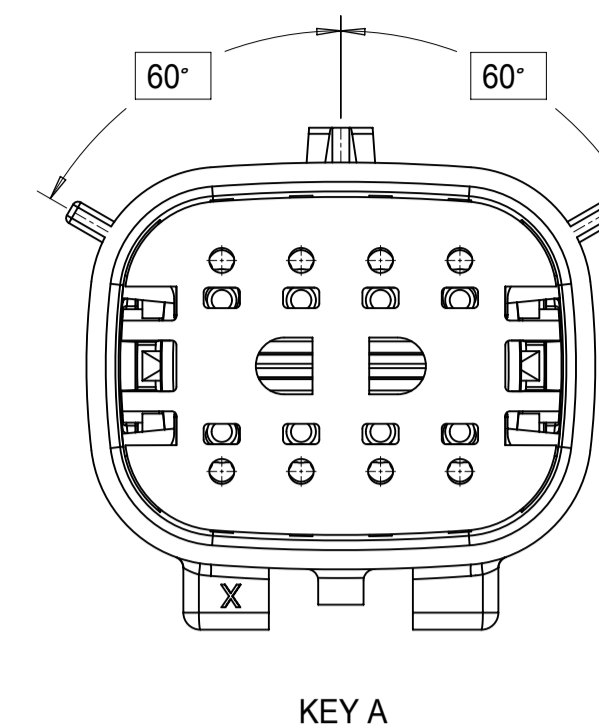
2X2



2X3



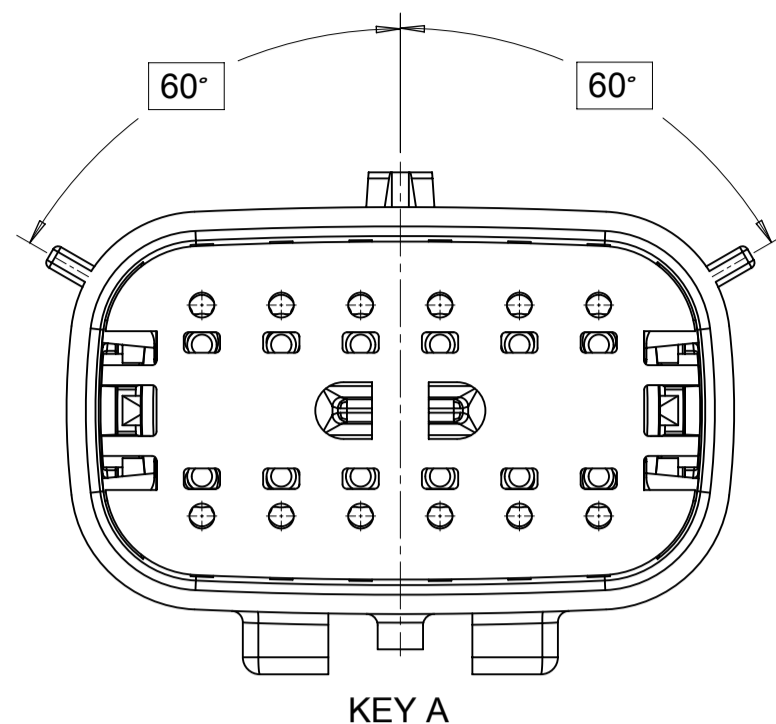
2X4



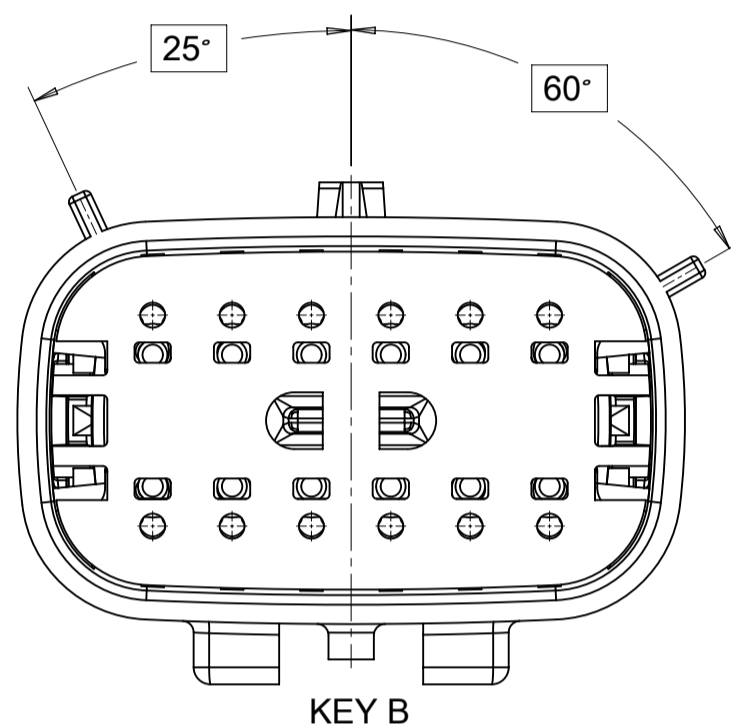
SYMBOLS = 0 = 0 = 0 = 0 = 0 = 0 = 0 = 0 = 0	THIS DRAWING CONTAINS INFORMATION THAT IS PROPRIETARY TO MOLEX ELECTRONIC TECHNOLOGIES, LLC AND SHOULD NOT BE USED WITHOUT WRITTEN PERMISSION DIMENSION UNITS: mm SCALE: 3:1 GENERAL TOLERANCES (UNLESS SPECIFIED) ANGULAR TOL: ± 1.0° 4 PLACES ± 3 PLACES ± 2 PLACES ± 0.1 1 PLACE ± 0.2 0 PLACES ± DRAFT WHERE APPLICABLE MUST REMAIN WITHIN DIMENSIONS	CURRENT REV DESC: EC NO: 171650 DRWN: PMANJUNATHAC 2018/01/03 CHK'D: MVANSLAMBROU 2018/02/16 APPR: MVANSLAMBROU 2018/02/16 INITIAL REVISION: DRWN: APROFFITT 2014/04/28 2014/05/14 APPR: VKOSHY	 MX150 BLADE DUAL ROW SEALED ASSEMBLY MAT SEAL PRODUCT CUSTOMER DRAWING
	DOCUMENT NUMBER: SD-33482-0001 DOC TYPE: PSD DOC PART: 001 REVISION: E2	MATERIAL NUMBER: 33482 CUSTOMER: GENERAL MARKET SHEET NUMBER: 3 OF 11	

SHEET DESCRIPTION
KEY CONFIGURATIONS CONT.

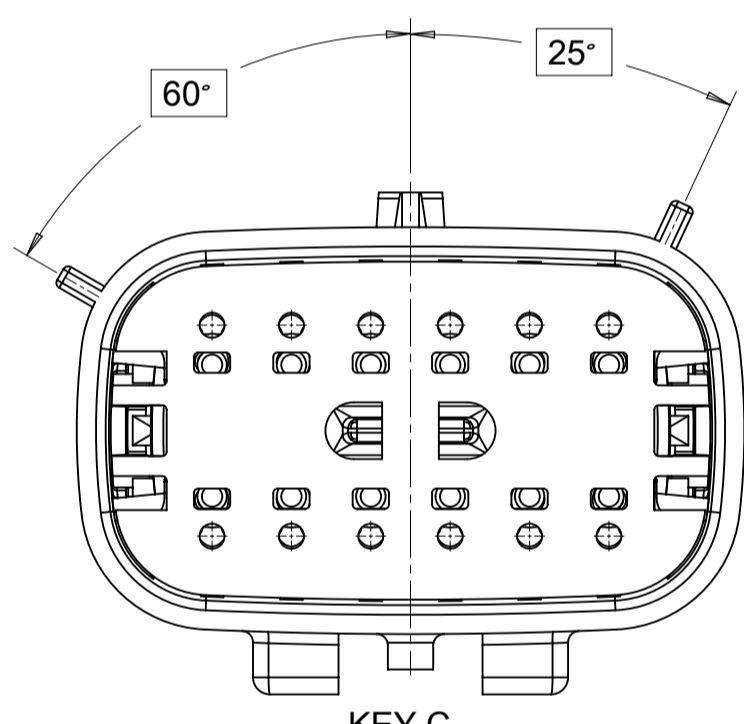
2X6



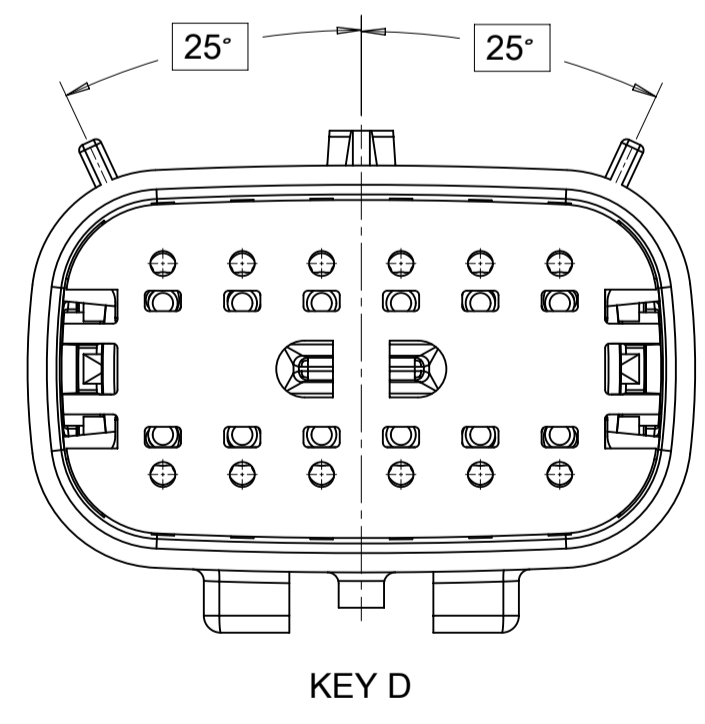
KEY A



KEY B

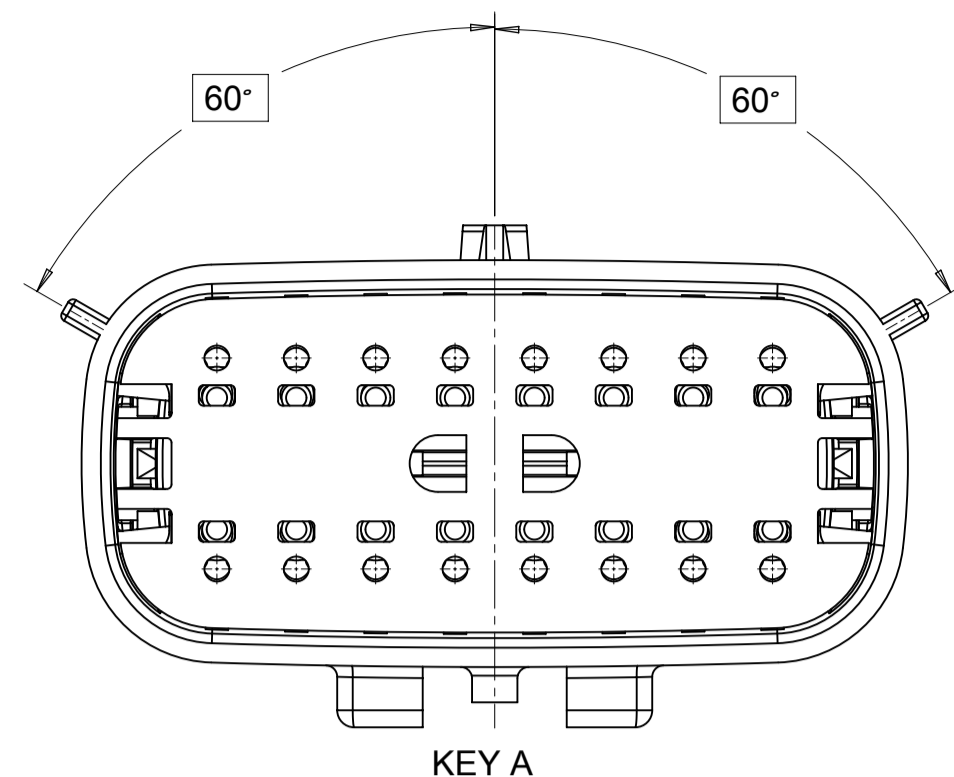


KEY C

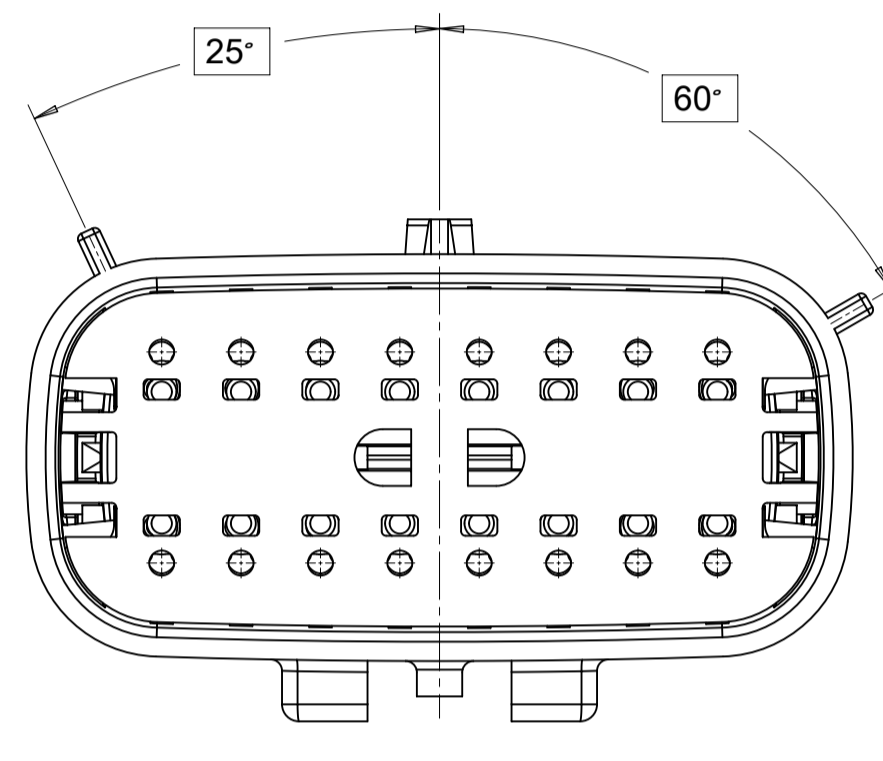


KEY D

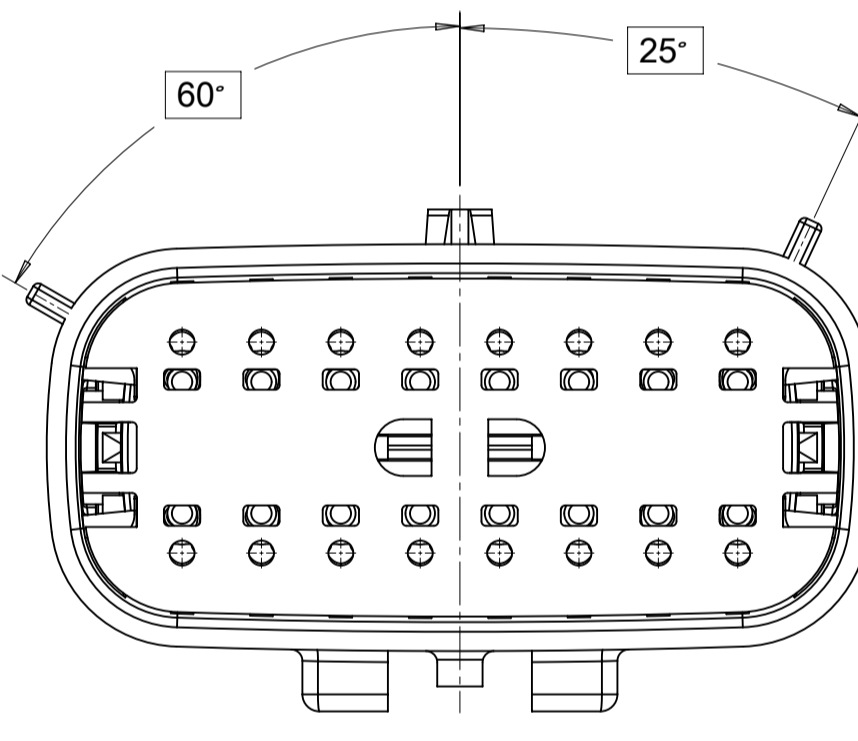
2X8



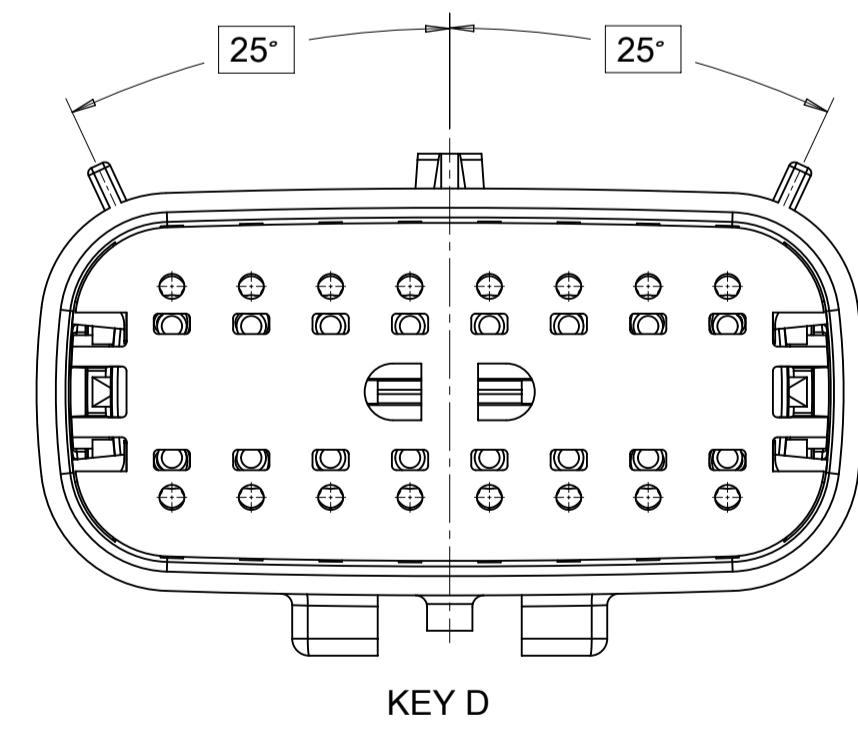
KEY A



KEY B

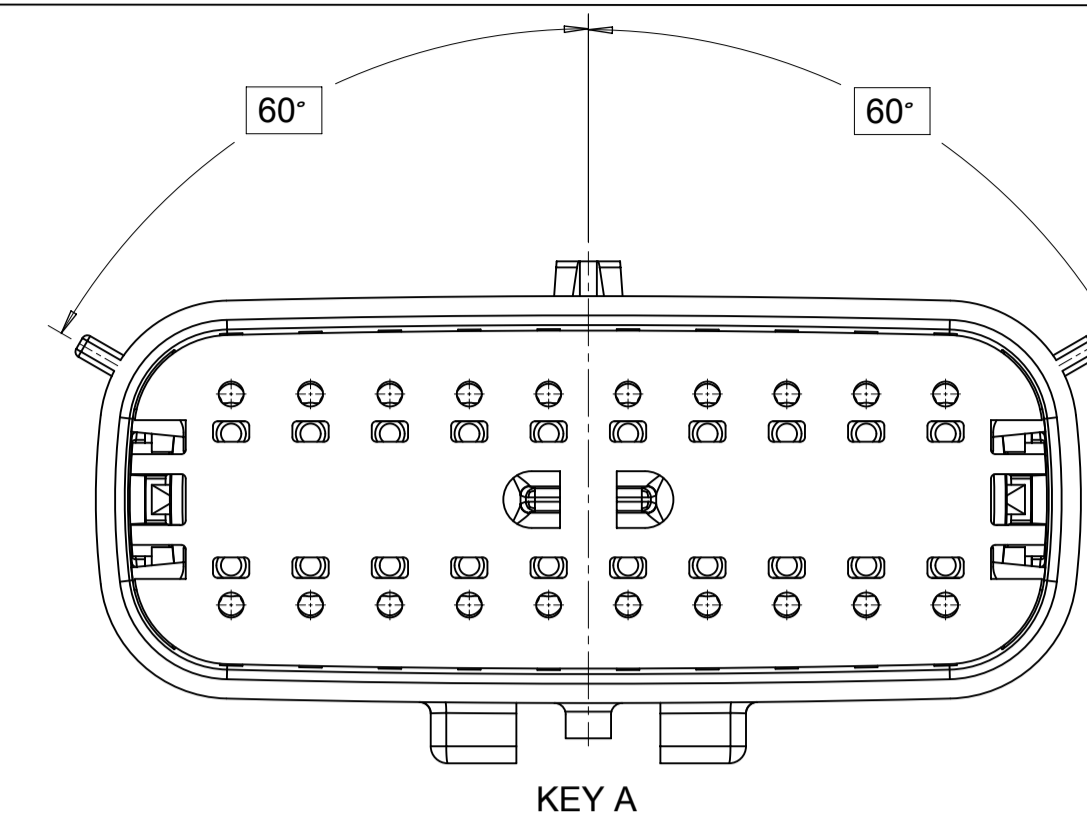


KEY C

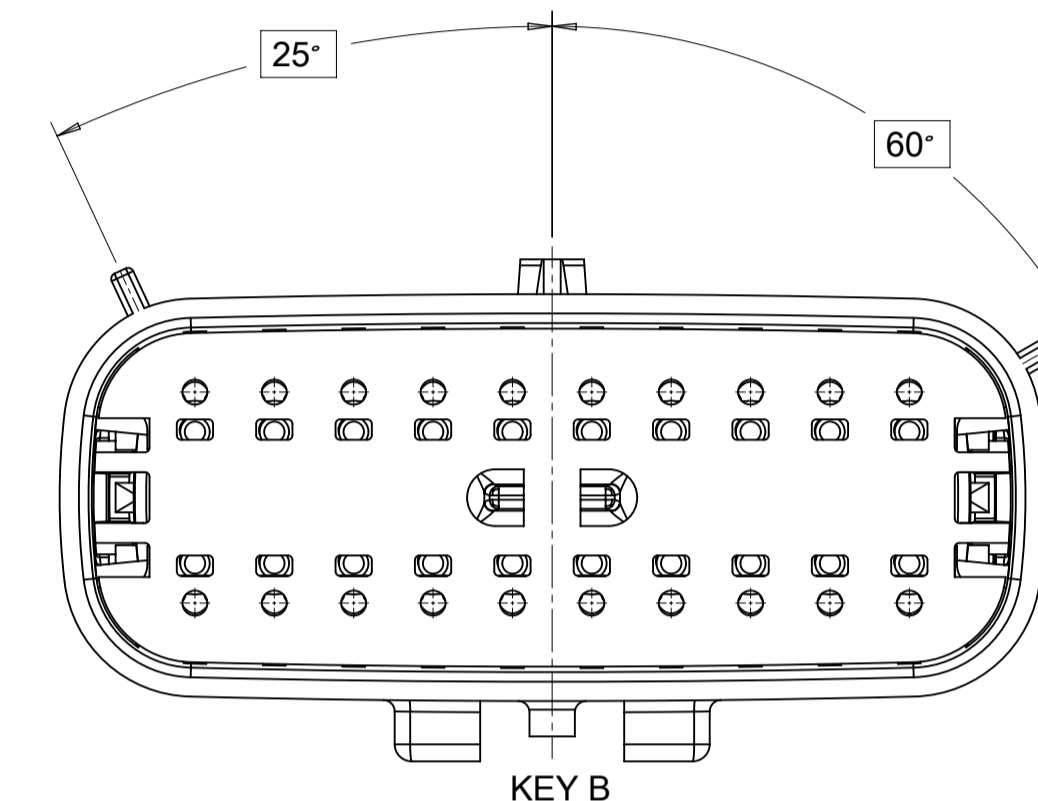


KEY D

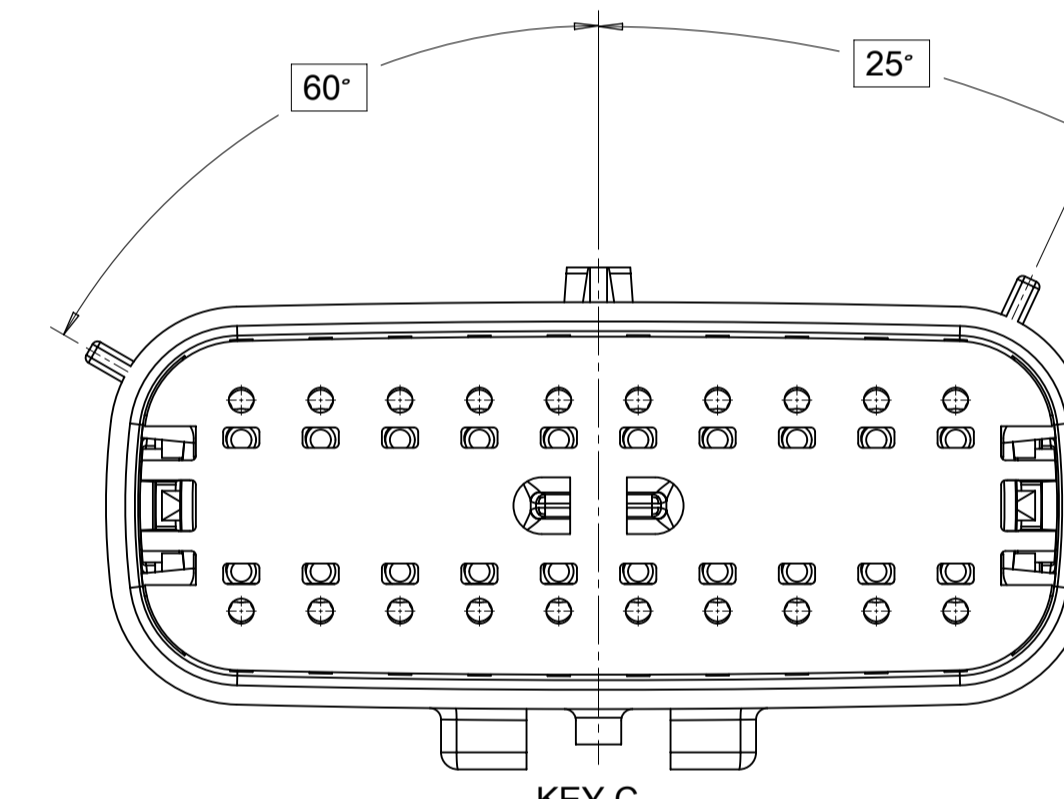
2X10



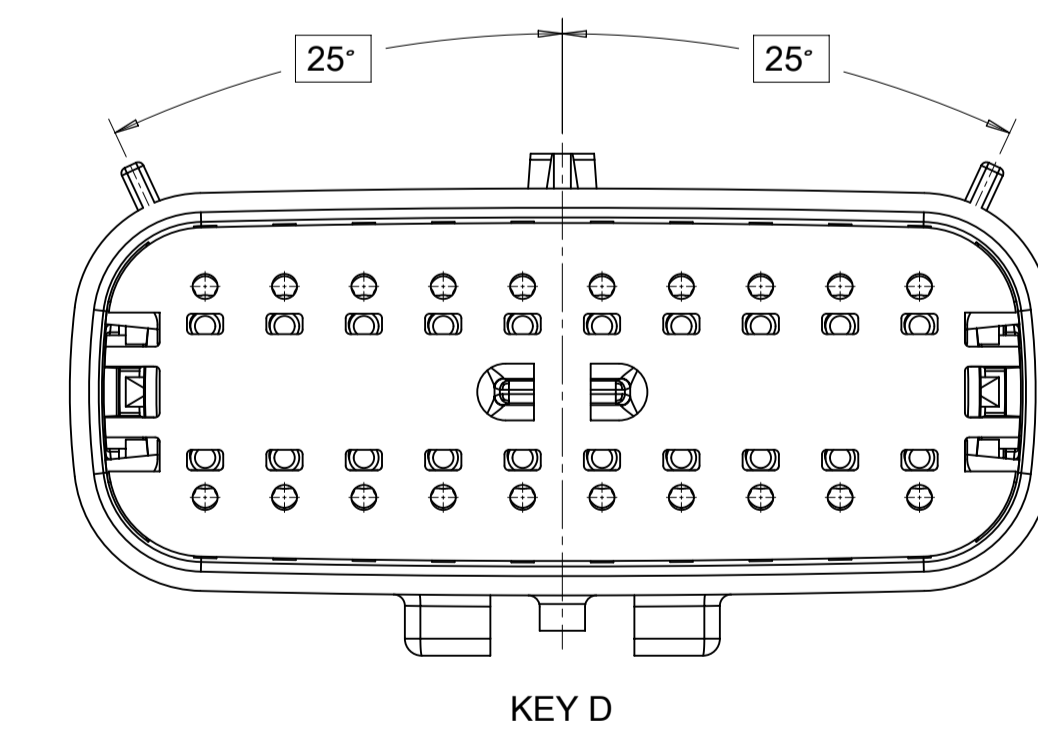
KEY A



KEY B



KEY C

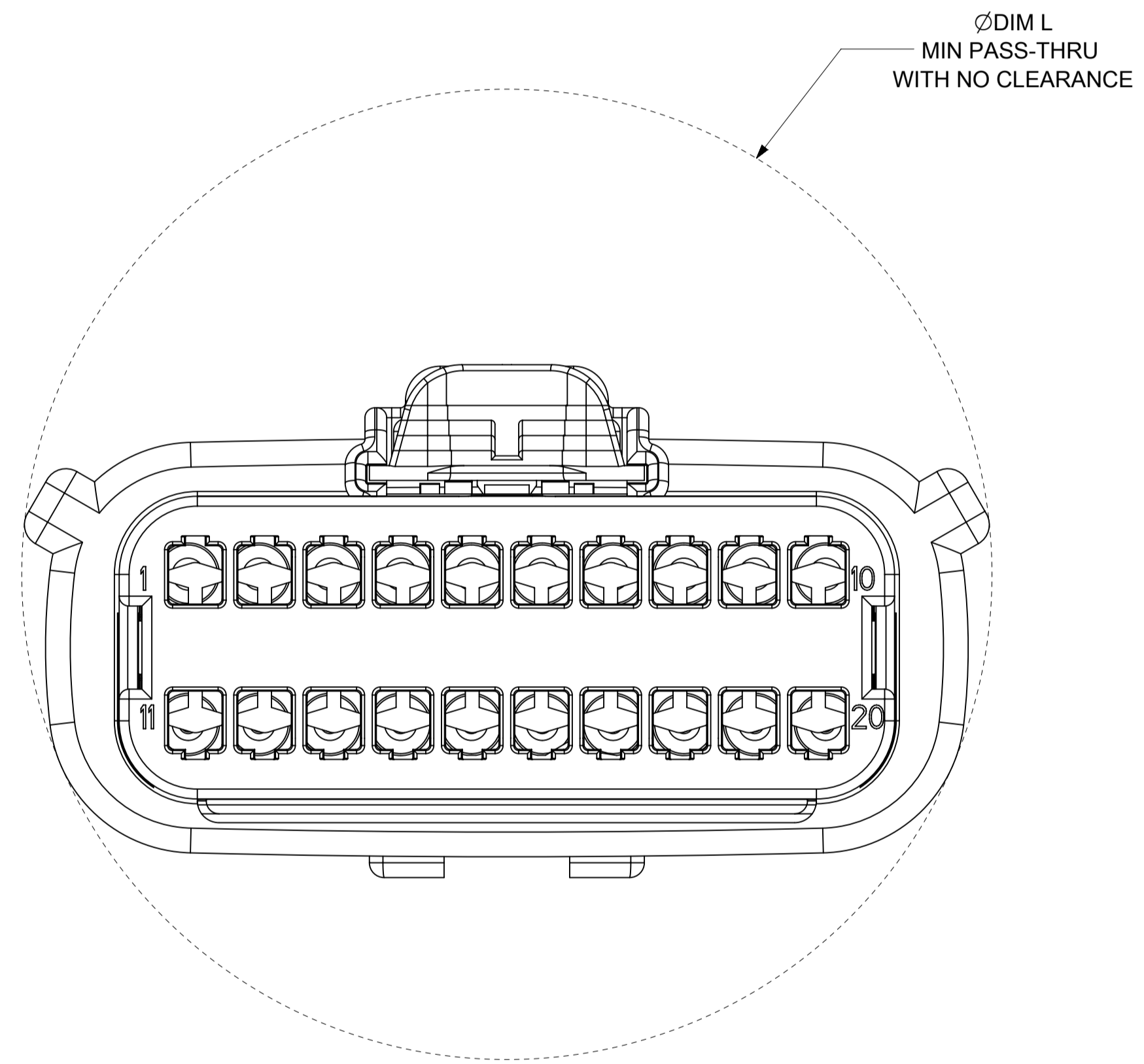
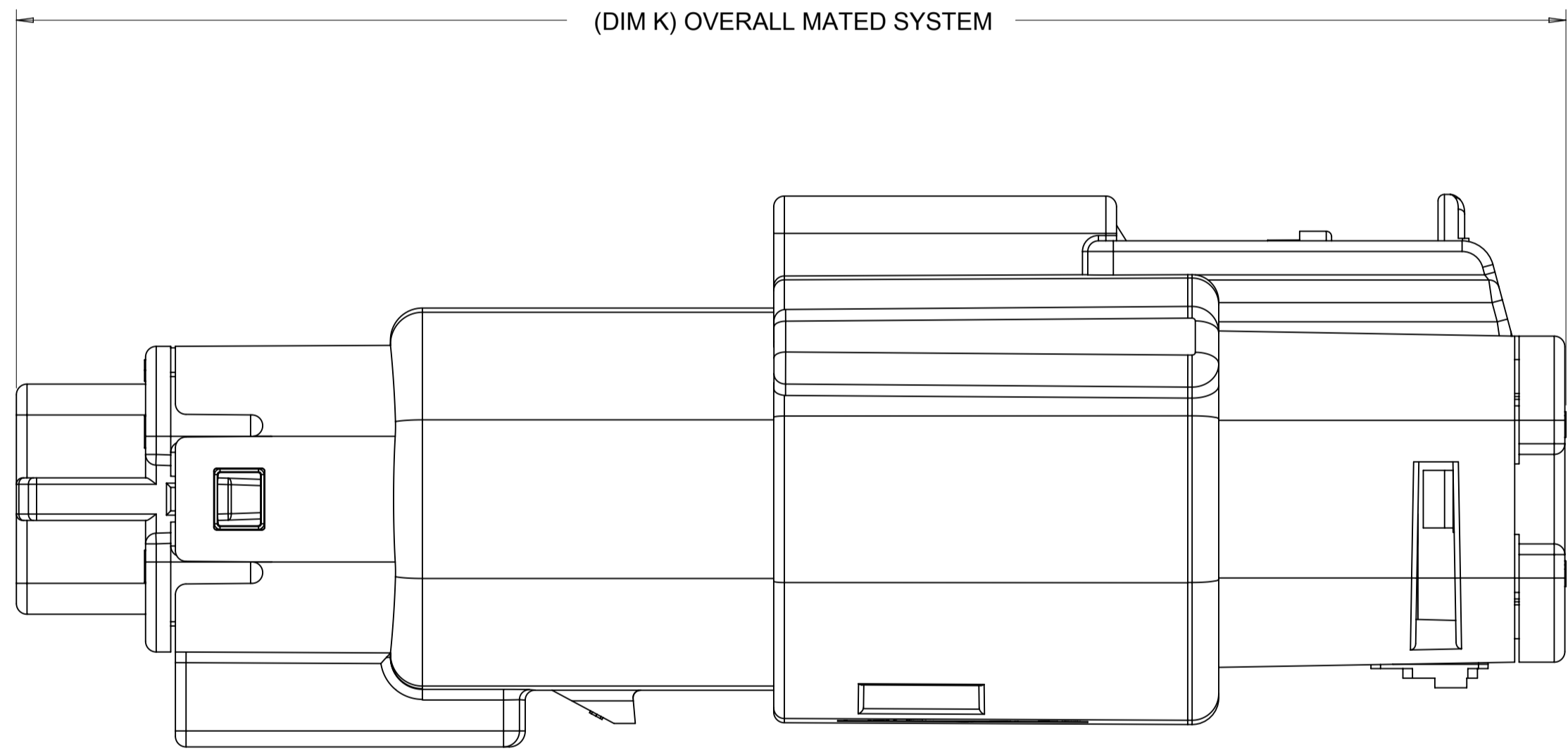


KEY D

SYMBOLS = 0 = 0 = 0 = 0 = 0 = 0 = 0 = 0 = 0 = 0	THIS DRAWING CONTAINS INFORMATION THAT IS PROPRIETARY TO MOLEX ELECTRONIC TECHNOLOGIES, LLC AND SHOULD NOT BE USED WITHOUT WRITTEN PERMISSION	DIMENSION UNITS: mm SCALE: 3:1	CURRENT REV DESC: EC NO: 171650 DRWN: PMANJUNATHAC 2018/01/03 CHK'D: MVANSLAMBROU 2018/02/16 APPR: MVANSLAMBROU 2018/02/16	 MX150 BLADE DUAL ROW SEALED ASSEMBLY MAT SEAL		
	GENERAL TOLERANCES (UNLESS SPECIFIED) ANGULAR TOL ± 1.0° 4 PLACES ± 3 PLACES ± 2 PLACES ± 0.1 1 PLACE ± 0.2 0 PLACES ±	INITIAL REVISION: DRWN: APROFFITT 2014/04/28 APPR: VKOSHY 2014/05/14	PRODUCT CUSTOMER DRAWING DOCUMENT NUMBER: SD-33482-0001 DOC TYPE: PSD DOC PART: 001 REVISION: E2			
DRAFT WHERE APPLICABLE MUST REMAIN WITHIN DIMENSIONS	THIRD ANGLE PROJECTION	DRAWING: A1-SIZE SERIES: 33482	MATERIAL NUMBER: GENERAL MARKET CUSTOMER: GENERAL MARKET SHEET NUMBER: 4 OF 11			

SHEET DESCRIPTION
SYSTEM PACKAGING

CKT	BLADE CONFIGURATION	RECEPTACLE CONFIGURATION	DIMENSIONS	
			K	L
			2X2	STANDARD
		W/ CLIPSLOT	72.78	28.50
		LENGTHENED	77.21	28.00
2X3	STANDARD	W/O CLIPSLOT	72.78	28.00
		W/ CLIPSLOT		30.50
	LENGTHENED	W/O CLIPSLOT	74.79	28.00
		W/ CLIPSLOT		30.50
2X4	STANDARD	W/O CLIPSLOT	72.78	29.50
		W/ CLIPSLOT		31.50
2X6	STANDARD	W/O CLIPSLOT	72.79	35.58
		W/ CLIPSLOT		
2X8	STANDARD	W/O CLIPSLOT	72.67	42.25
		W/ CLIPSLOT		
2X10	STANDARD	STANDARD	72.78	49.05



SYMBOLS ▽ = 0 ▽ = 0 ▽ = 0 ▽ = 0 ▽ = 0 ▽ = 0 ▽ = 0 ▽ = 0 ▽ = 0 ▽ = 0	THIS DRAWING CONTAINS INFORMATION THAT IS PROPRIETARY TO MOLEX ELECTRONIC TECHNOLOGIES, LLC AND SHOULD NOT BE USED WITHOUT WRITTEN PERMISSION	DIMENSION UNITS	SCALE	CURRENT REV DESC:						
	mm	4:1	EC NO: 171650 DRWN: PMANJUNATHAC 2018/01/03 CHK'D: MVANSLAMBROU 2018/02/16 APPR: MVANSLAMBROU 2018/02/16							
	GENERAL TOLERANCES (UNLESS SPECIFIED)				INITIAL REVISION:			DOCUMENT NUMBER		
	ANGULAR TOL ± 1.0°				DRWN: APROFFITT 2014/04/28			SD-33482-0001		
	4 PLACES ±				APPR: VKOSHY 2014/05/14			DOC TYPE DOC PART REVISION		
	3 PLACES ±				DRAFT WHERE APPLICABLE MUST REMAIN WITHIN DIMENSIONS			PSD 001 E2		
	2 PLACES ± 0.1				THIRD ANGLE PROJECTION			MATERIAL NUMBER		
	1 PLACE ± 0.2				DRAWING			CUSTOMER		
	0 PLACES ±				A1-SIZE			GENERAL MARKET		
	0 PLACES ±				SERIES			SHEET NUMBER		
				33482			6 OF 11			

