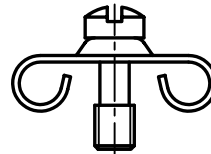
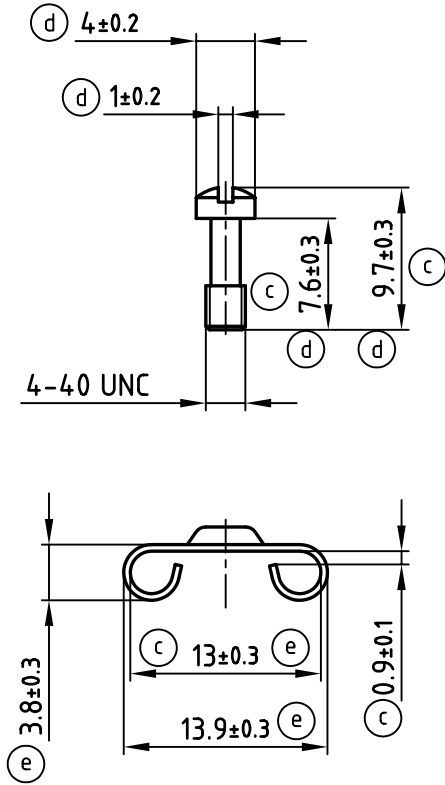


used for: D-SUB



1 SET CONSISTS OF :  
2 CLAMPS  
2 SCREWS

Directive 2002/95/EC  
"RoHS"  
Compliant

| PART-NO.   | BULK QUANTITY |
|------------|---------------|
| 160X10259X | 1 SET         |
| 160X00949A | 100 SETS      |

THIS DRAWING MAY NOT BE COPIED OR REPRODUCED IN ANY WAY, AND MAY NOT BE PASSED ON TO A THIRD PARTY WITHOUT WRITTEN PERMISSION.  
OWNERSHIP AND COPYRIGHT OF CONEC GmbH  
DO NOT ALTER CAD DRAWING BY HAND

|       |             |            | tolerance |       |        |                 |  |
|-------|-------------|------------|-----------|-------|--------|-----------------|--|
| rev.  | description | date       | name      | date  | name   |                 |  |
| 1 x f | Ä 2441      | 10.02.2006 | Lehmen    | appd. | 21.08. | E. Mickenbecker |  |
| 3 x e | Ä 2228      | 11.05.2005 | HS        | norm  |        |                 |  |
| 5 x d | Ä 2210      | 21.04.2005 | HS        | d-old |        |                 |  |
| 4 x c | Ä 2156      | 04.02.2005 | Lehmen    |       |        |                 |  |
| 2 x b | Ä 1819      | 16.07.2003 | Lehmen    |       |        |                 |  |



|           |                              |        |
|-----------|------------------------------|--------|
| scale:    | 2:1                          |        |
| material: | (b) (f) STEEL; NICKEL PLATED |        |
| title:    | CLAMP<br>9-37pos.            |        |
| dwg no:   | AutoCAD 2000                 | DIN-A  |
|           | 16K1A274A                    | 4 (d)  |
| part no:  | SEE TABLE                    |        |
|           |                              | sh:1/2 |

B

A

B

A

4

3

2

1

used for: D-SUB

F

F

E

E

D

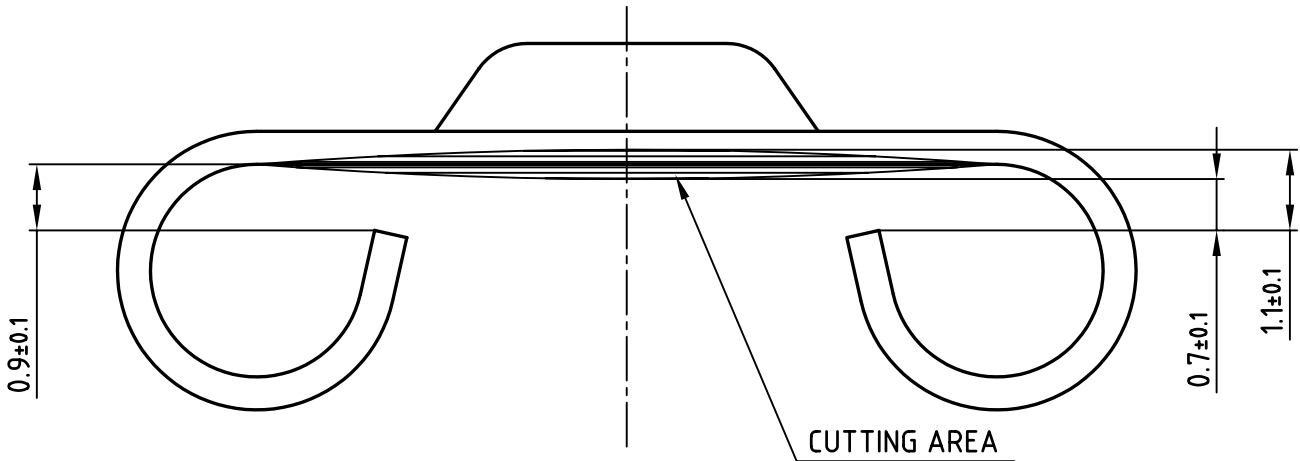
D

C

C

B

B



THIS DRAWING MAY NOT BE COPIED OR REPRODUCED IN ANY WAY, AND MAY NOT BE PASSED ON TO A THIRD PARTY WITHOUT WRITTEN PERMISSION.  
 OWNERSHIP AND COPYRIGHT OF CONEC GmbH  
 DO NOT ALTER CAD DRAWING BY HAND

| 1x d | rev.   | description | date       | name |
|------|--------|-------------|------------|------|
|      | Ä 2210 |             | 21.04.2005 | HS   |

| 2005  | date   | name    |
|-------|--------|---------|
| drawn | 21.04. | Schmidt |
| appd. | 21.04. | Labus   |
| norm  |        |         |
| d-old |        |         |



|           |                          |
|-----------|--------------------------|
| tolerance | scale: 10:1              |
|           | material: SEE SHEET 1    |
|           | title: CLAMP<br>9-37pos. |
|           | dwg no: AutoCAD 2004     |
|           | part no: SEE SHEET 1     |

DIN-A  
 4 (d)  
 sh:2/2

4

3

2

1

A

A