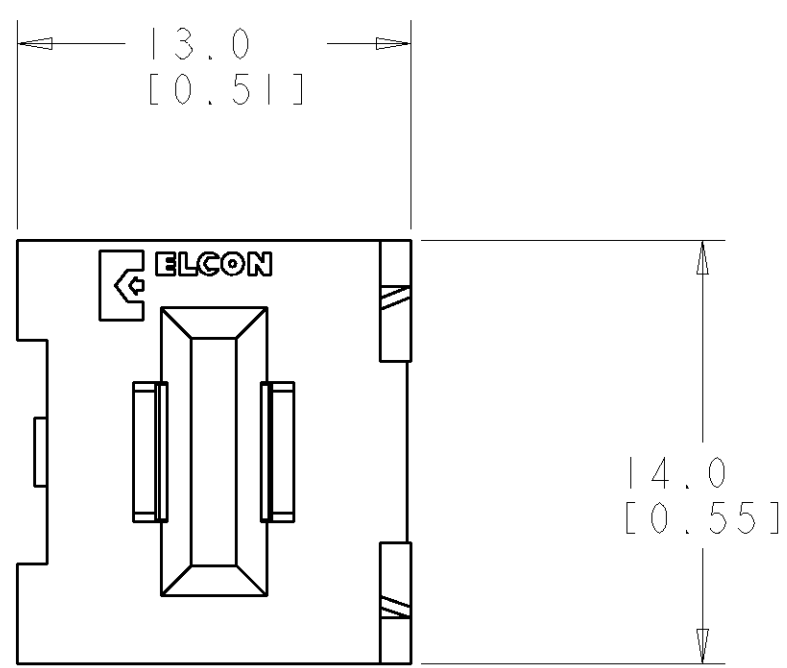


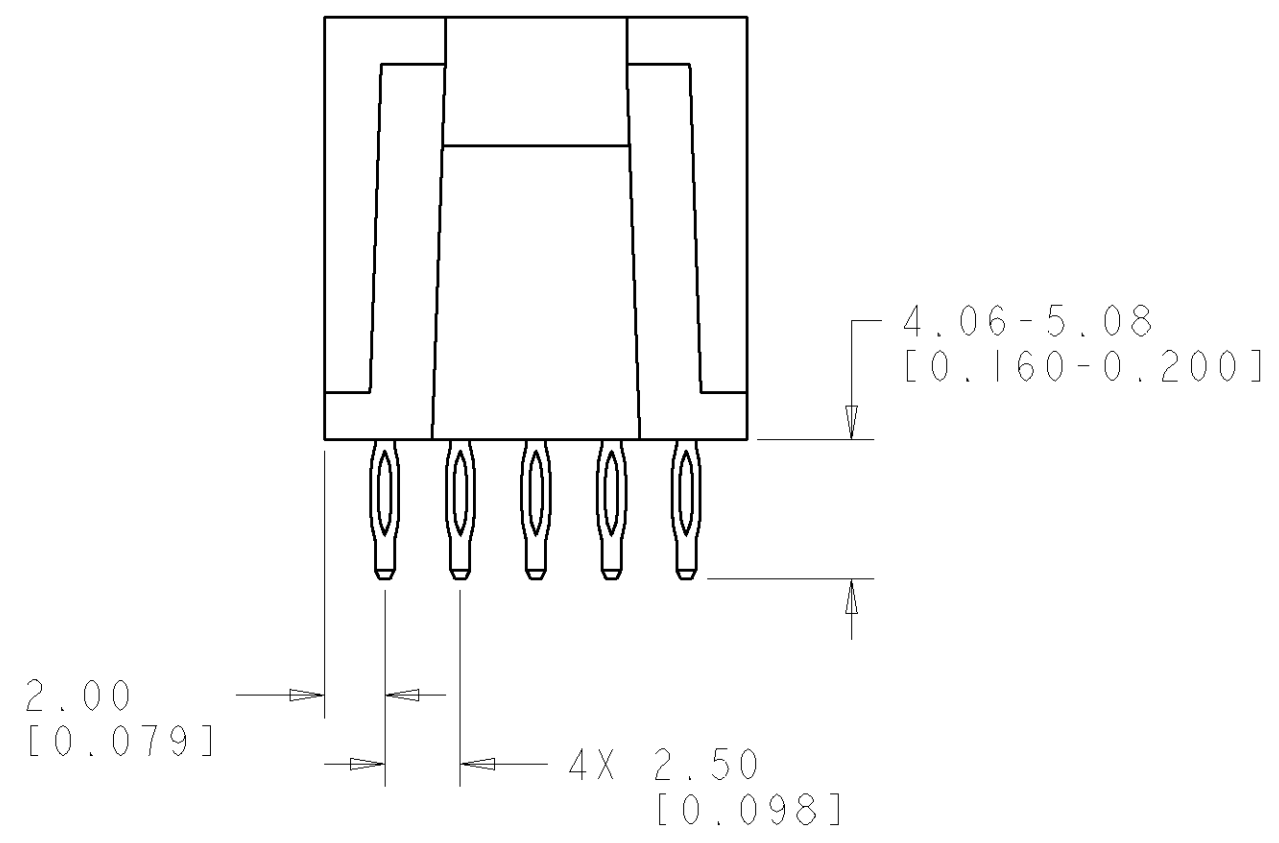
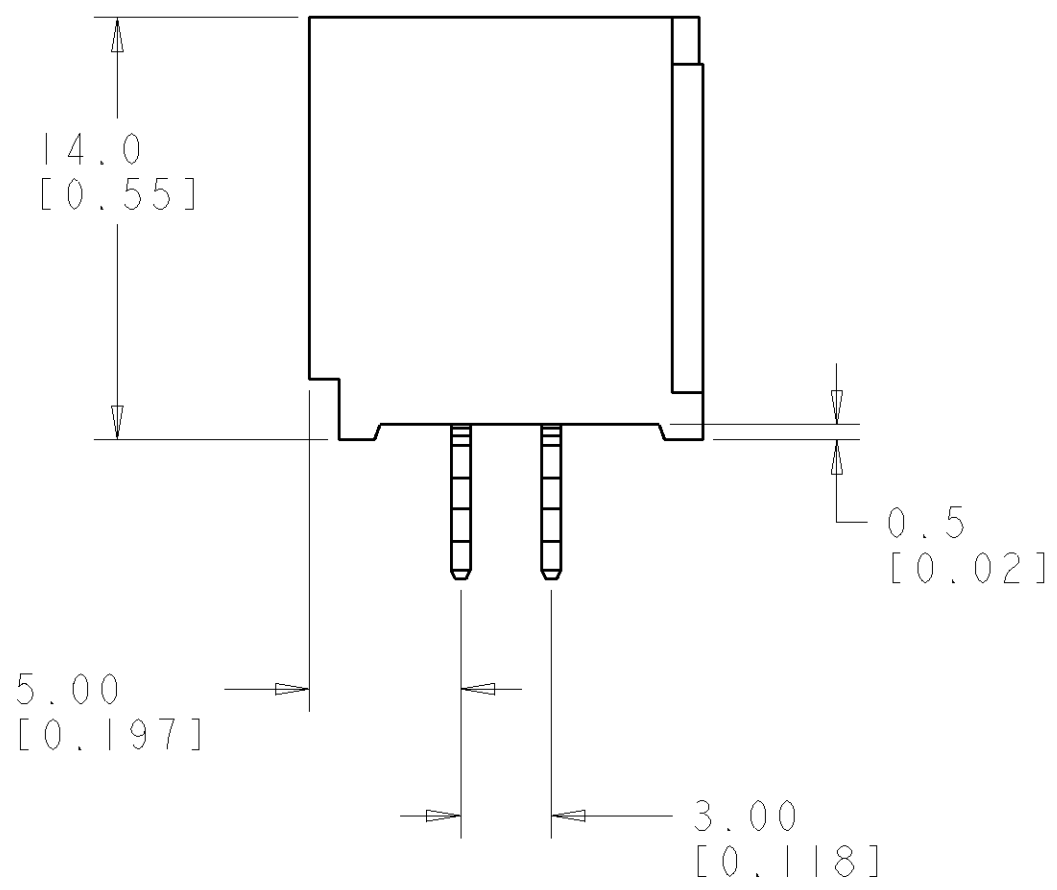
THIS DRAWING IS UNPUBLISHED. RELEASED FOR PUBLICATION 20
 © COPYRIGHT 20 BY TYCO ELECTRONICS CORPORATION. ALL RIGHTS RESERVED.

LOC	DIST	REVISIONS					
GP	00	P	LTR	DESCRIPTION	DATE	DWN	APVD
			A	RELEASED	05JAN07	RG	SF



- PART NUMBER CHANGES AND OR DESIGN CHANGES AFFECTING ITEM INTERCHANGEABILITY REQUIRE PRIOR TYCO APPROVAL AND AUTHORIZATION BY REVISION TO THIS DRAWING.
- MATERIAL:
 - INSULATORS - THERMOPLASTIC, GLASS REINFORCED, COLOR: BLACK UL94V-0 FLAMMABILITY RATED.
 - POWER CONTACTS - PHOSPHOR BRONZE ALLOY, COPPER ALLOY
 - CROWN BAND-BERYLLIUM COPPER ALLOY
- FINISH:
 - CONTACTS - GOLD PLATE .000030" MIN. THK., OVER NICKEL .000050" MIN. THK
 - COMPLIANT TAILS, TIN, MATTE FINISH, .000040" MIN. THK. OVER NICKEL .000050" MIN THK.
- ITEMS PROVIDED TO THIS SPECIFICATION TO BE PERMANENTLY IDENTIFIED ON THE CONTAINER PER THE FOLLOWING IDENTIFIER LABEL

TYCO PART NO. XXXXXXXX-X DATE CODE (e.g. 0106) XXXX YEAR WEEK



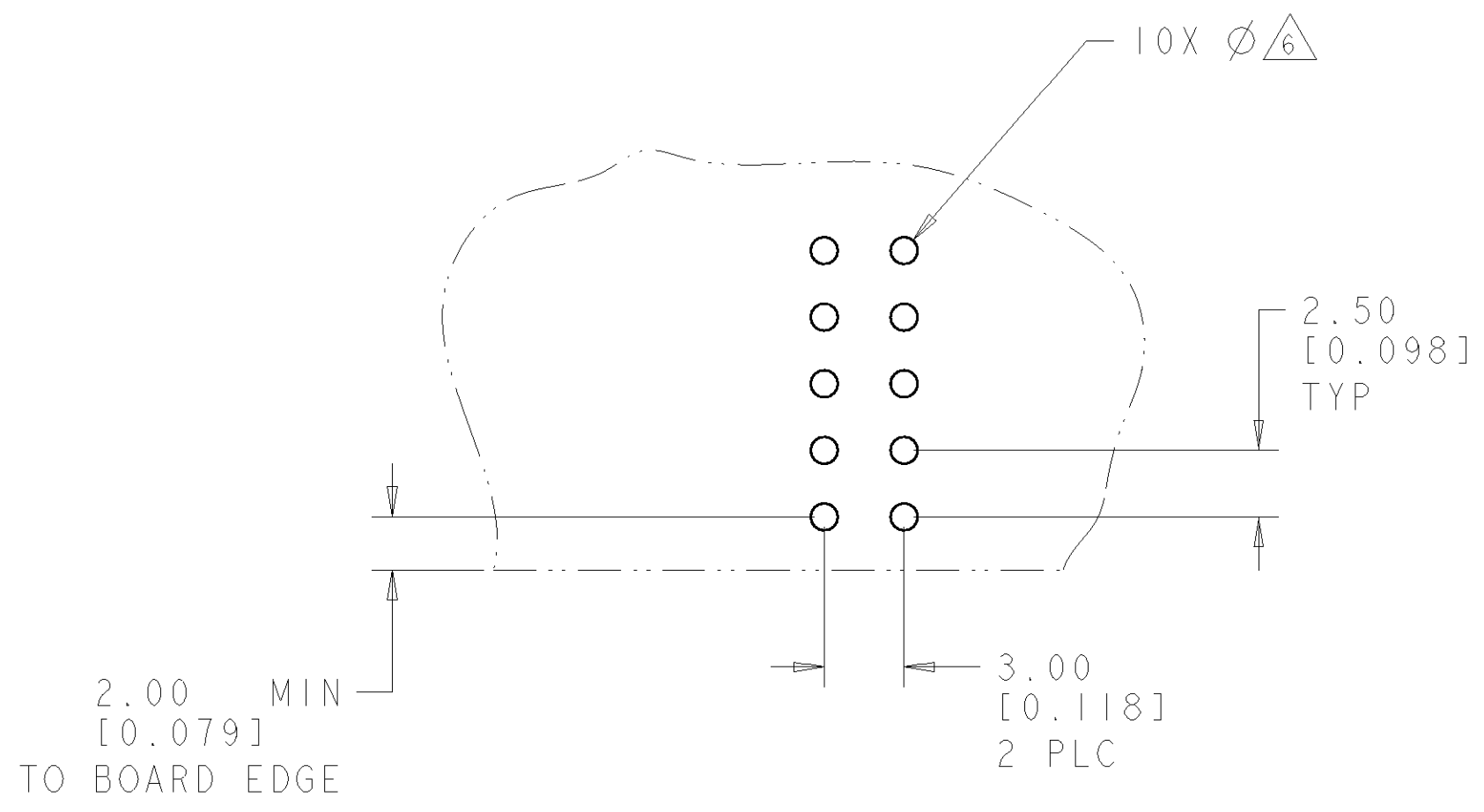
ELCON **FLATPAQ**

THIS DRAWING IS A CONTROLLED DOCUMENT FOR TYCO ELECTRONICS CORPORATION. IT IS SUBJECT TO CHANGE AND THE CONTROLLING ENGINEERING ORGANIZATION SHOULD BE CONTACTED FOR THE LATEST REVISION.		DWN R. GRZYBOWSKI 05JAN07
DIMENSIONS: mm [INCHES]		CHK P. DAMATO 05JAN07
TOLERANCES UNLESS OTHERWISE SPECIFIED:		APVD S. FLICKINGER 05JAN07
0 PLC	±	PRODUCT SPEC
1 PLC	±.5 [0.020]	-
2 PLC	±.25 [0.010]	APPLICATION SPEC
3 PLC	±	-
4 PLC	±	WEIGHT
ANGLES	±.5	-
FINISH	-	CUSTOMER DRAWING

AS SHOWN	1926325-1
DESCRIPTION	PART NUMBER
Tyco Electronics Harrisburg, PA 17105-3608	
NAME STRAIGHT SOCKET CONNECTOR COMPLIANT TAILS FLATPAQ	
SIZE	CAGE CODE
A2	00779
DRAWING NO	RESTRICTED TO
G-1926325	-
SCALE 3:1	SHEET 1 OF 3
REV A	

THIS DRAWING IS UNPUBLISHED. RELEASED FOR PUBLICATION 20
 © COPYRIGHT 20 BY TYCO ELECTRONICS CORPORATION. ALL RIGHTS RESERVED.

LOC	DIST	REVISIONS					
		P	LTR	DESCRIPTION	DATE	DWN	APVD
GP	00	-		SEE SHEET 1	-	-	-



PRINTED CIRCUIT LAYOUT
 COMPONENT SIDE

CONNECTOR	CATALOG MODULE #	QTY	SIZE NO.	CONTACT QTY	MATING PIN	MAX. CURRENT (PER CONTACT)	CONTACT SPACING	VOLTAGE RATING
SOCKET	FP216	1	8	2	1.25 X 7.00 [.049 X .276]	35 amps	7.50 [.2953]	250

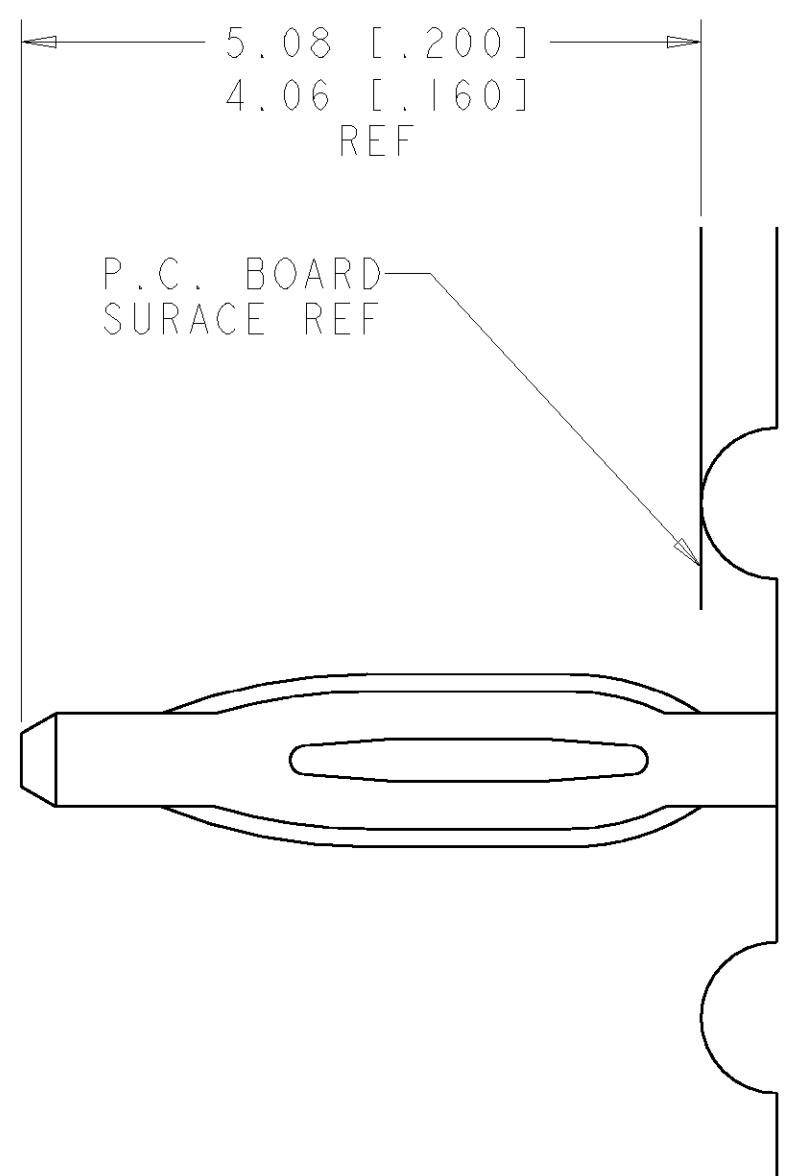
THIS DRAWING IS A CONTROLLED DOCUMENT FOR TYCO ELECTRONICS CORPORATION. IT IS SUBJECT TO CHANGE AND THE CONTROLLING ENGINEERING ORGANIZATION SHOULD BE CONTACTED FOR THE LATEST REVISION.

DWN R. GRZYBOWSKI 05 JAN 07	 Tyco Electronics Harrisburg, PA 17105-3608	NAME STRAIGHT SOCKET CONNECTOR COMPLIANT TAILS FLATPAQ	
CHK P. DAMATO 05 JAN 07			
APVD S. FLICKINGER 05 JAN 07			
PRODUCT SPEC -			
APPLICATION SPEC -	SIZE A200779	DRAWING NO. G-1926325	RESTRICTED TO -
MATERIAL -	WEIGHT -	CUSTOMER DRAWING	SCALE 3:1 SHEET 2 OF 3 REV A

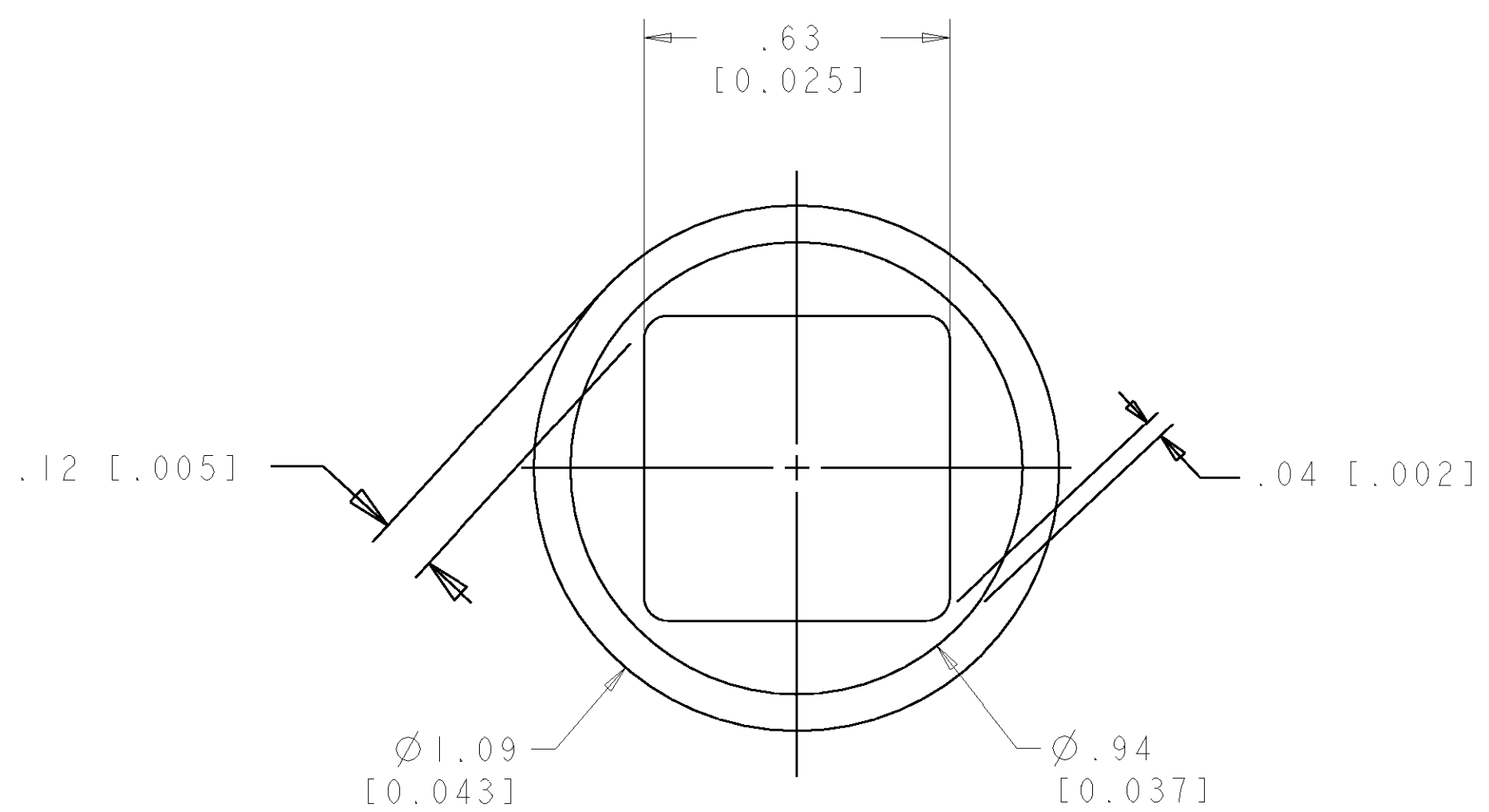
ELCON FLATPAQ

THIS DRAWING IS UNPUBLISHED. RELEASED FOR PUBLICATION 20
© COPYRIGHT 20 BY TYCO ELECTRONICS CORPORATION. ALL RIGHTS RESERVED.

LOC		DIST		REVISIONS			
GP		00		REV	DATE	DWN	APVD
				-	SEE SHEET 1	-	-



5. COMPLIANT PIN DETAIL
 SCALE 10 : 1
 INSERTION/EXTRACTION FORCES
 MAXIMUM PUSH IN: 133.3N PER PIN
 [30 LBS]
 MINIMUM PUSH OU: 44.4N PER PIN
 [10 LBS]



6. SOLDER TERMINATION AREA
 SCALE 40:1
 RECOMMENDED PRINTED CIRCUIT HOLE
 COMPLIANT PRESS FIT
 DRILLED HOLE: Ø1.15 [.0453] ±.013 [.0005]
 COPPER PLATE: .025 [.0010] MIN (PER SURFACE)
 TIN PLATE: .008 [.0003] MIN. (PER SURFACE)

ELCON **FLATPAQ**

THIS DRAWING IS A CONTROLLED DOCUMENT FOR TYCO ELECTRONICS CORPORATION IT IS SUBJECT TO CHANGE AND THE CONTROLLING ENGINEERING ORGANIZATION SHOULD BE CONTACTED FOR THE LATEST REVISION.		DWN R. GRZYBOWSKI 05 JAN 07	tyco Electronics Tyco Electronics Harrisburg, PA 17105-3608	
DIMENSIONS: mm [INCHES]		CHK P. DAMATO 05 JAN 07	NAME STRAIGHT SOCKET CONNECTOR COMPLIANT TAILS FLATPAQ	
TOLERANCES UNLESS OTHERWISE SPECIFIED: 0 PLC ±.5 1 PLC ±.5 [.020] 2 PLC ±.25 [.010] 3 PLC ±. 4 PLC ±. ANGLES ±.5 FINISH		APVD S. ELICKINGER 05 JAN 07	RESTRICTED TO	
MATERIAL		PRODUCT SPEC -	SIZE A2	CAGE CODE 00779
		APPLICATION SPEC -	DRAWING NO. C-1926325	REV A
		WEIGHT -	SCALE 3:1 SHEET 3 OF 3	
		CUSTOMER DRAWING		