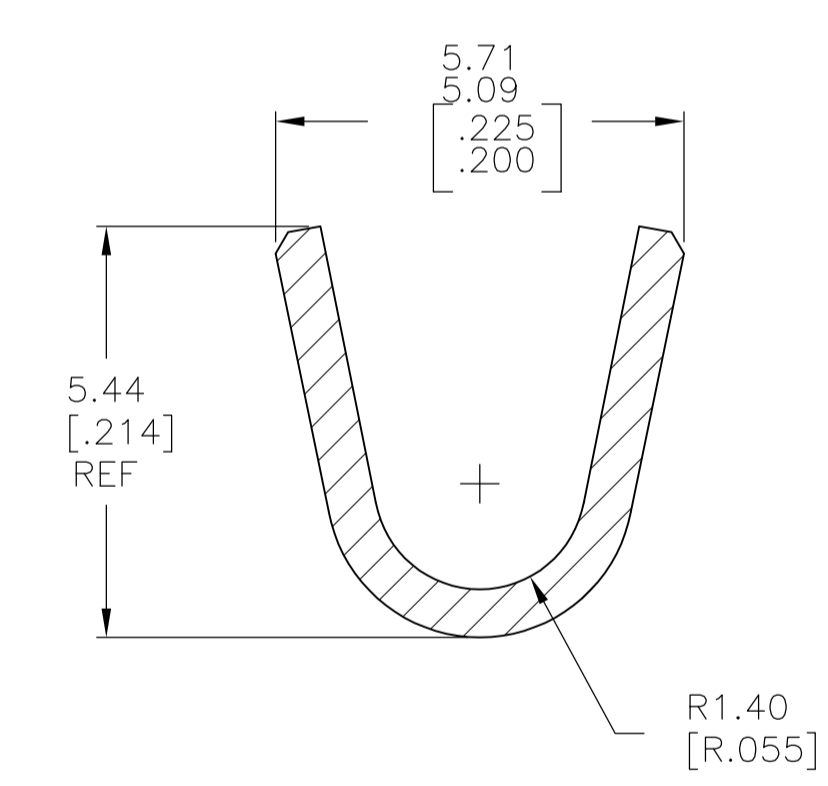
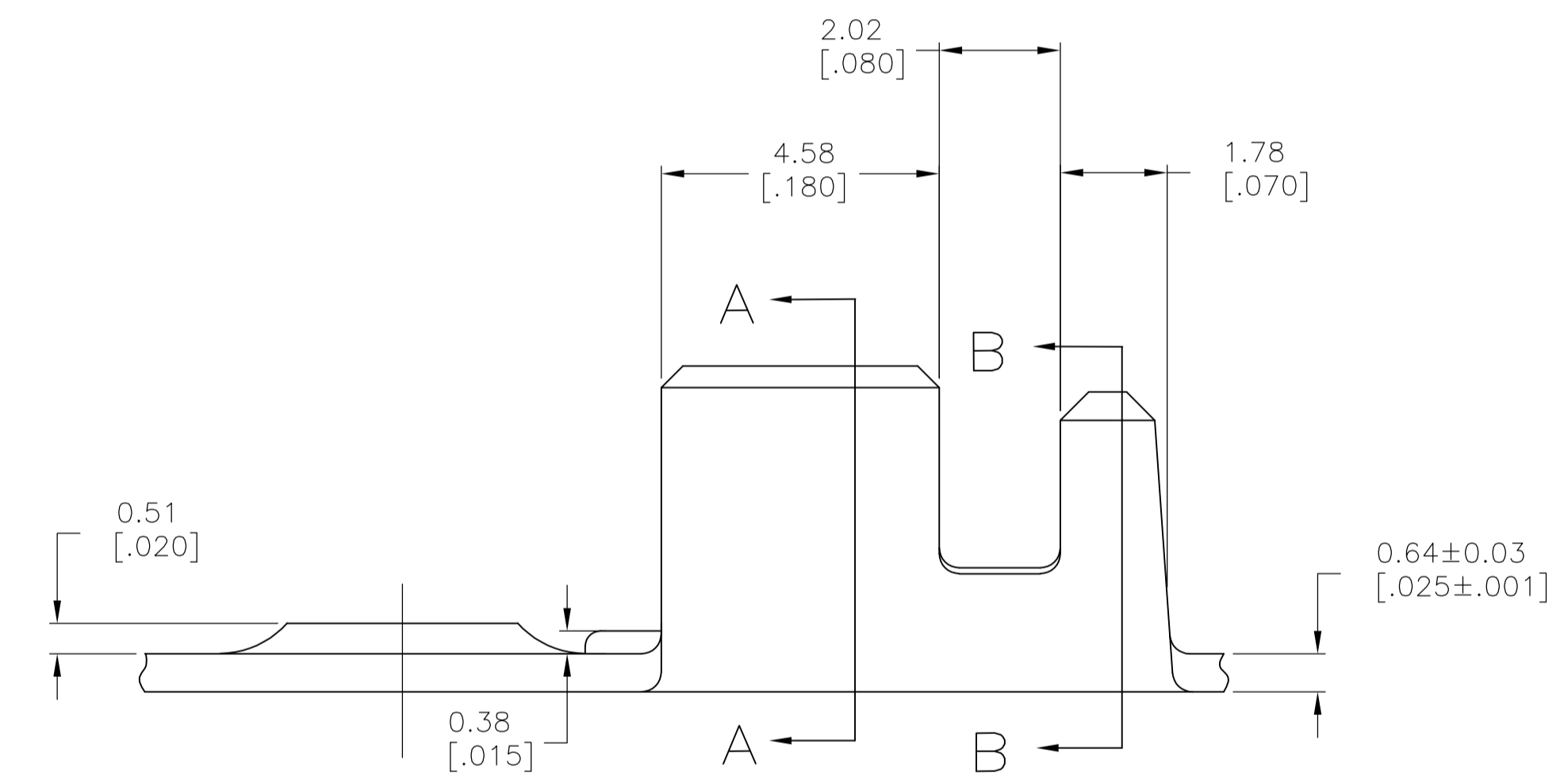
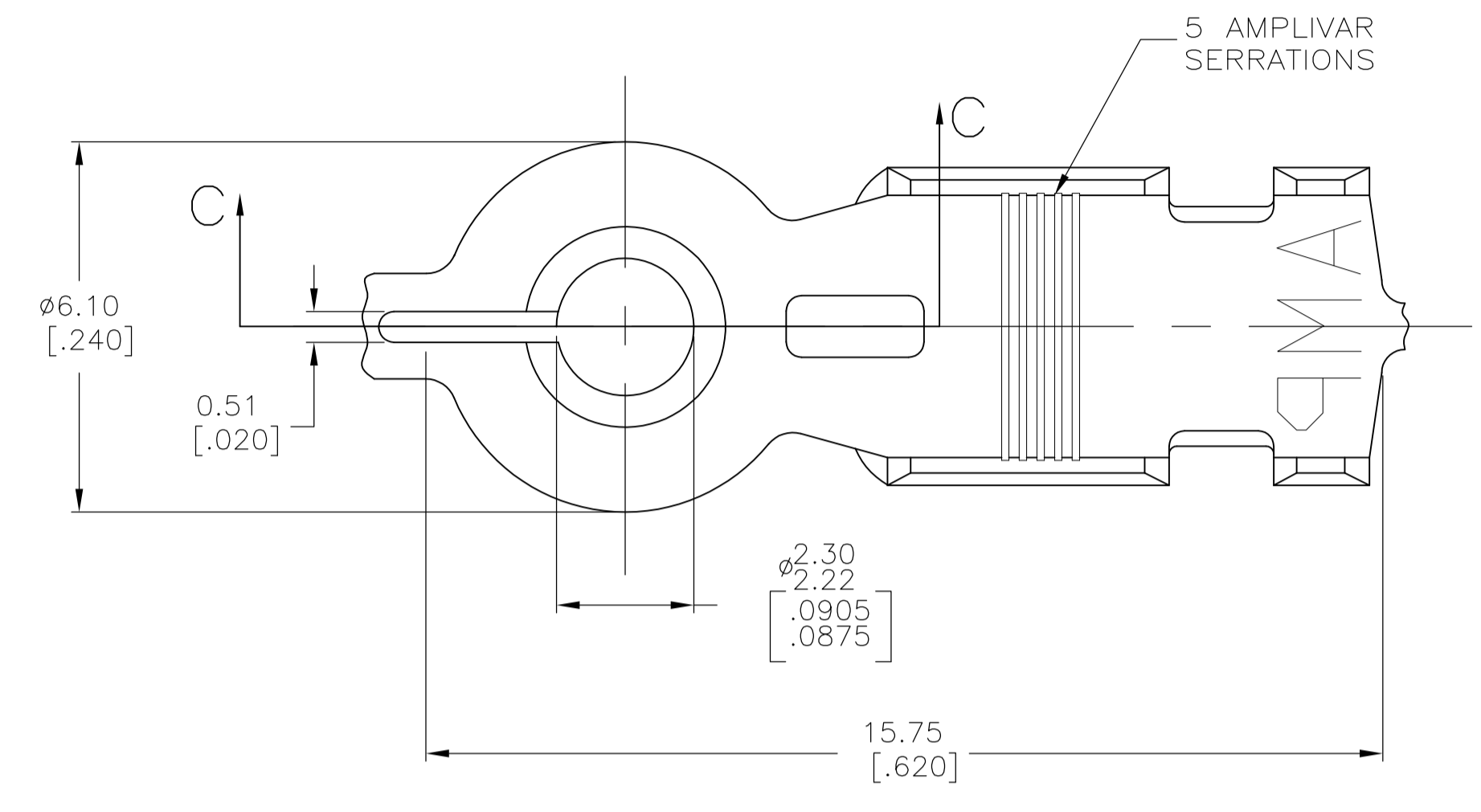
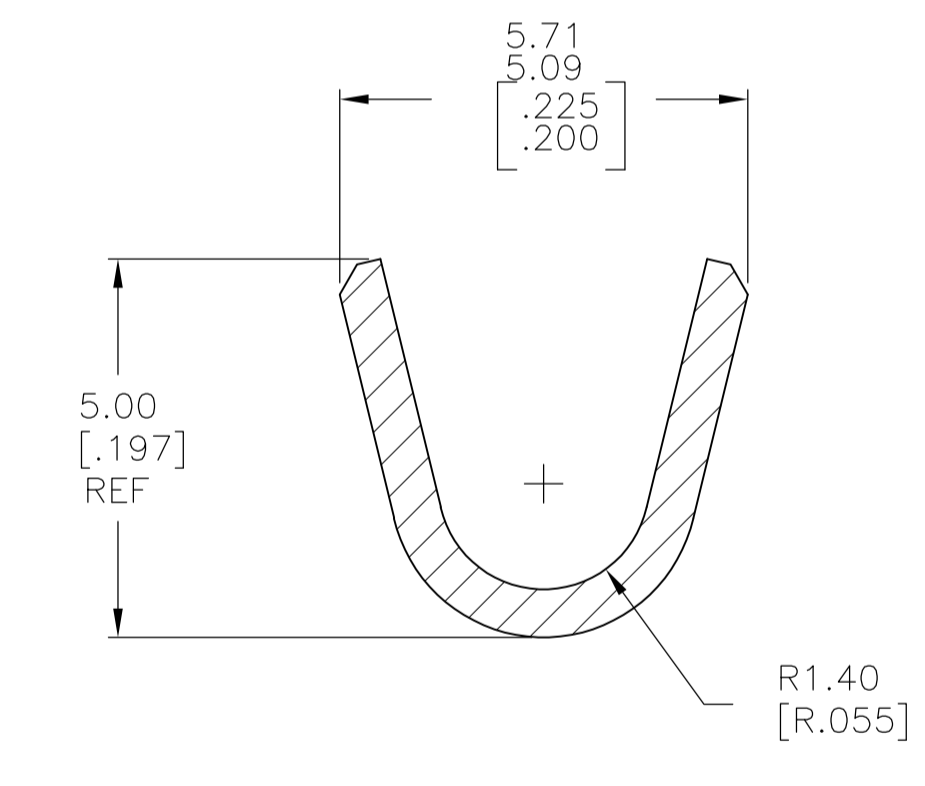


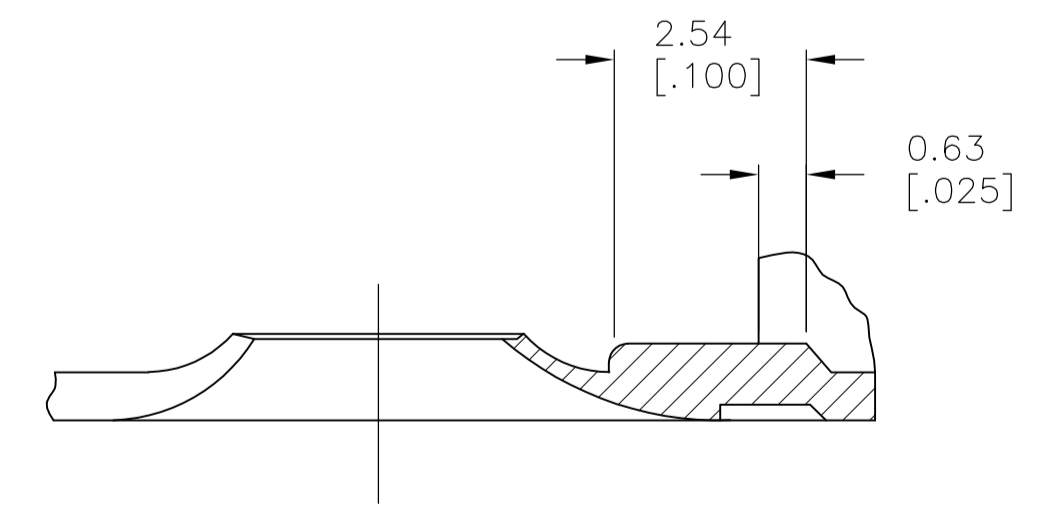
1 WIRE RANGE: (2) 14 1/2 MAG



SECTION A-A



SECTION B-B



SECTION C-C

OBSOLETE	505036-3
PRE TIN	505036-1
FINISH	PART NO

THIS DRAWING IS A CONTROLLED DOCUMENT.		DIN RAGHAVENDRA 07MAY08		TE Connectivity	
DIMENSIONS: mm [INCHES]		CHK JEFF RUTH 07MAY08		NAME	
TOLERANCES UNLESS OTHERWISE SPECIFIED:		APPV JEFF RUTH 07MAY08		AMPLIVAR ALTERNATOR EYELET TERMINAL	
0 PLC ± -		PRODUCT SPEC		APPLICATION SPEC	
1 PLC ± -		SIZE		CAGE CODE	
2 PLC ± -		A1		00779	
3 PLC ± 0.38 [.015]		DRAWING NO		505036	
4 PLC ± -		WEIGHT		RESTRICTED TO	
ANGLES ± 1° 0'		CUSTOMER DRAWING		SCALE 10:1 SHEET 1 OF 1 REV J	
MATERIAL BRASS		FINISH SEE TABLE			