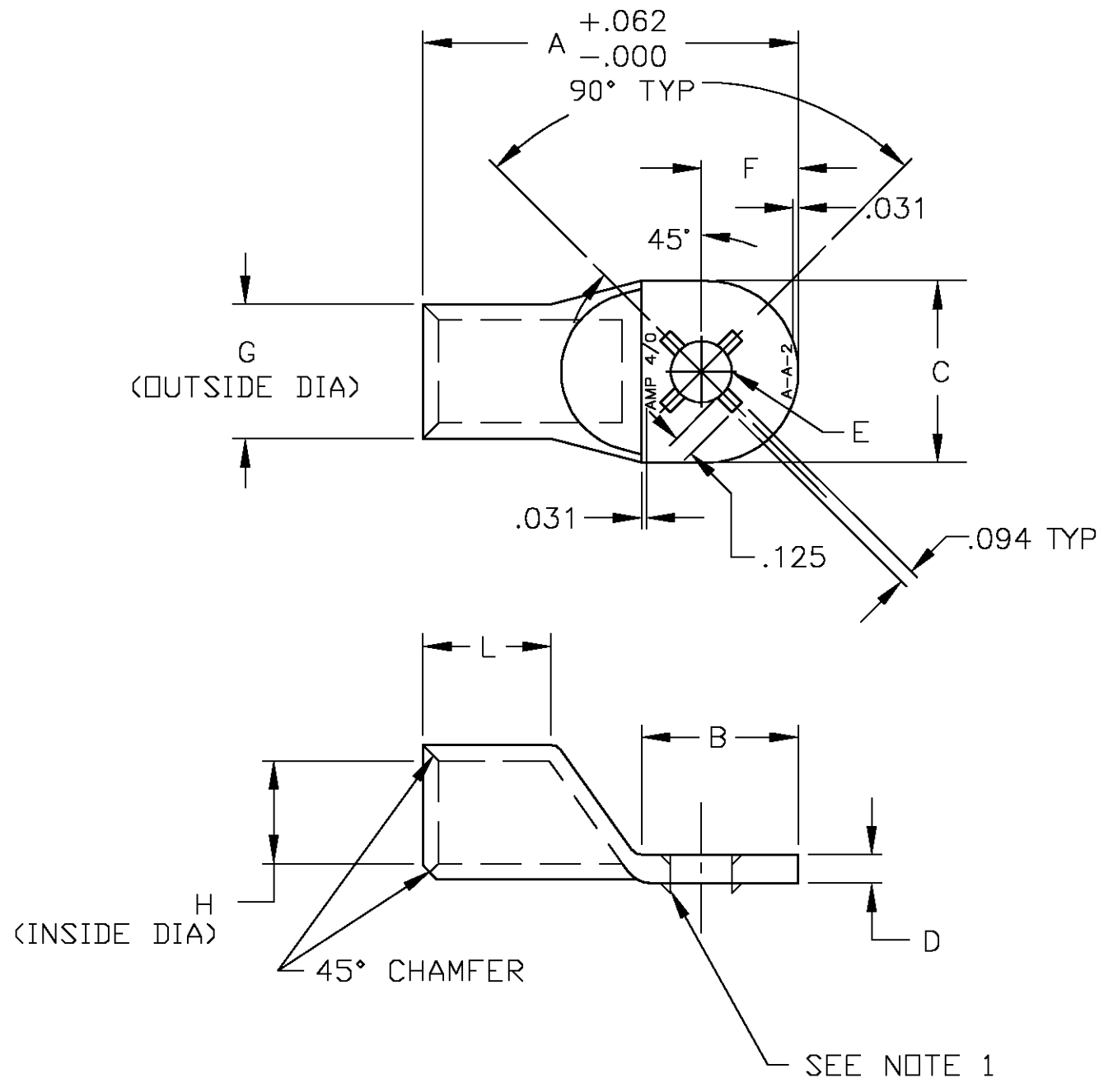


THIS DRAWING IS UNPUBLISHED. RELEASED FOR PUBLICATION
 © COPYRIGHT BY TYCO ELECTRONICS CORPORATION. ALL RIGHTS RESERVED.

LOC	DIST	REVISIONS					
AA	27	P	LTR	DESCRIPTION	DATE	DWN	APVD
			C	REV PER 0G3A-0088-05	01JUN05	JR	MS

1. LOCKING LANCE FOR P/N -1 and -5 ONLY.



OBSOLETE

.250	.812	.66	.84	.438	∅.266	.20	1.219	.938	2.375	606298-5
.250	.812	.66	.84	.438	∅.266	.20	1.219	.938	2.375	606298-4
.375	.812	.66	.84	.438	∅.391	.20	1.200	1.140	2.460	606298-3
.500	.812	.66	.84	.438	∅.516	.20	1.200	1.140	2.460	606298-2
.375	.812	.66	.84	.438	∅.391	.20	1.200	1.140	2.460	606298-1
BOLT HOLE SIZE	L	H	G	F	E	D	C	B	A	PART NUMBER

DIMENSIONS, INCHES

THIS DRAWING IS A CONTROLLED DOCUMENT.		DWN L. HALL 18APR00	Tyco Electronics Corporation Harrisburg, Pa 17105-3608	
DIMENSIONS: INCHES	TOLERANCES UNLESS OTHERWISE SPECIFIED:	CHK L.H. SMITH 12MAY00	AMP TUBULAR TERMINAL 4/0 (ROUND TONGUE)	
	0 PLC ±	APVD B. ANTHONY 12MAY00	NAME	
	1 PLC ±	PRODUCT SPEC		
	2 PLC ± .02	APPLICATION SPEC		
	3 PLC ± .005	WEIGHT	SIZE A3	CAGE CODE 00779
	4 PLC ± .0005	CUSTOMER DRAWING	DRAWING NO C-606298	RESTRICTED TO
	ANGLES ± 3'		SCALE 1:1	SHEET 1 OF 1
MATERIAL HIGH CONDUCTIVITY WROUGHT COPPER	FINISH ELECTRO TIN PLATE			REV C