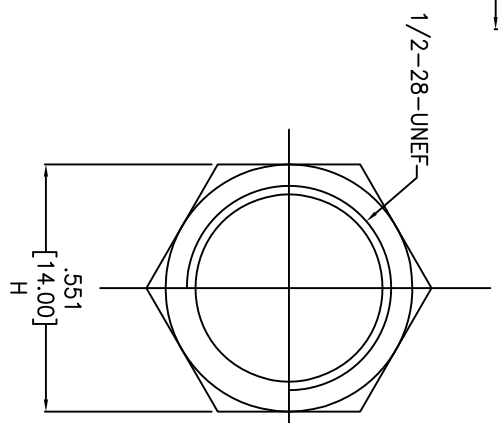
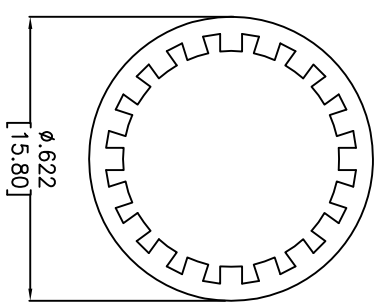
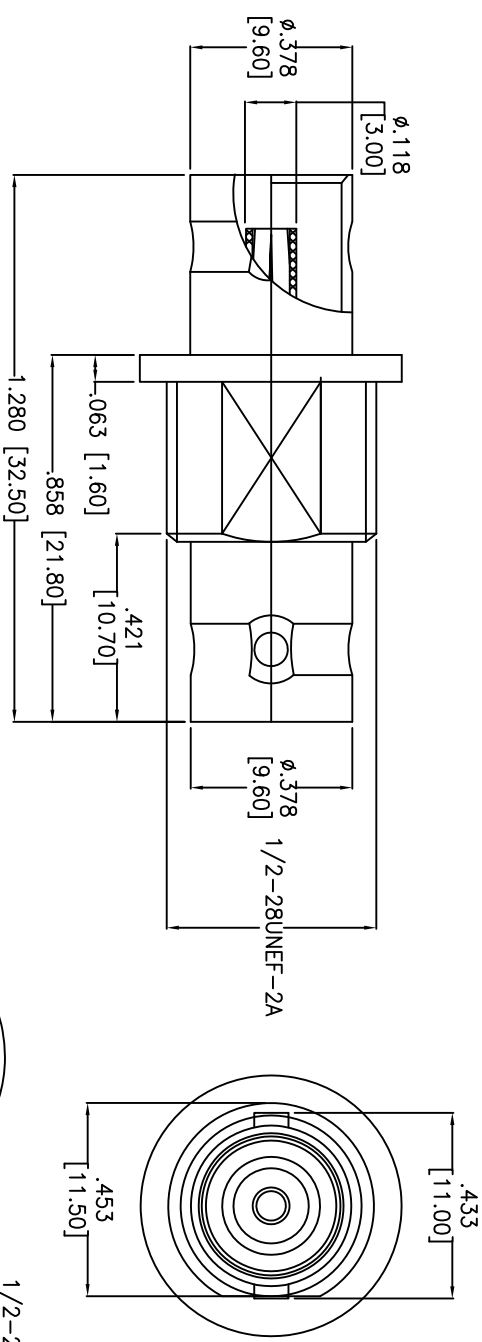


Rev	AWO #	Description	Date	Appr
-	10244	RELEASED	5/05/10	

APPROVED: \_\_\_\_\_  
 DATE: \_\_\_\_\_ TITLE: \_\_\_\_\_



NUT	ZINC	NICKEL
LOCK WASHER	STEEL	NICKEL
WASHER	IRON	NICKEL
CENTER PIN	PHSPHOR BRONZE	GOLD
INSULATOR	POM	NONE
BODY	ZINC	NICKEL
DESCRIPTION	MATERIAL	FINISH

**SPECIFICATIONS:**

Electrical:  
 Impedance: 75 ohms  
 Frequency range: 0-4 GHz  
 Working Voltage: 500 VRMS max.  
 Dielectric Withstanding Voltage: 1500 VRMS min.  
 Contact Resistance: 3 Milliohms max. (Center Contact)  
 2 Milliohms max. (Outer Contact)  
 Insulator Resistance: 5000 Megohms min.  
 Environmental:  
 Lead free, RoHS compliant.

**ADAM TECH**

909 Ratway Avenue, Union, NJ 07083  
 Phone: 908-687-5000 Fax: 908-687-5710

TITLE: BNC DOUBLE FEMALE BULKHEAD ADAPTOR 75 OHM

UNLESS OTHERWISE SPECIFIED ALL DIMENSIONS ARE INCHES [MM]	
TOLERANCES: EXCEPT AS NOTED	
INCHES	HOLES
.X ± .10	Ø.X ± .10
.XX ± .020	Ø.XXX ± .015
.XXX ± .015	Ø.XXXX ± .010
APPROVALS	DATE
DRAWN DY	5/05/10
CHECKED	
APPROVED	

SIZE	PART NO.	REV.
X	RF1-44-D-AS-75-HDW	-
REF: S00049T	SCALE: NTS	SHEET 1 OF 1