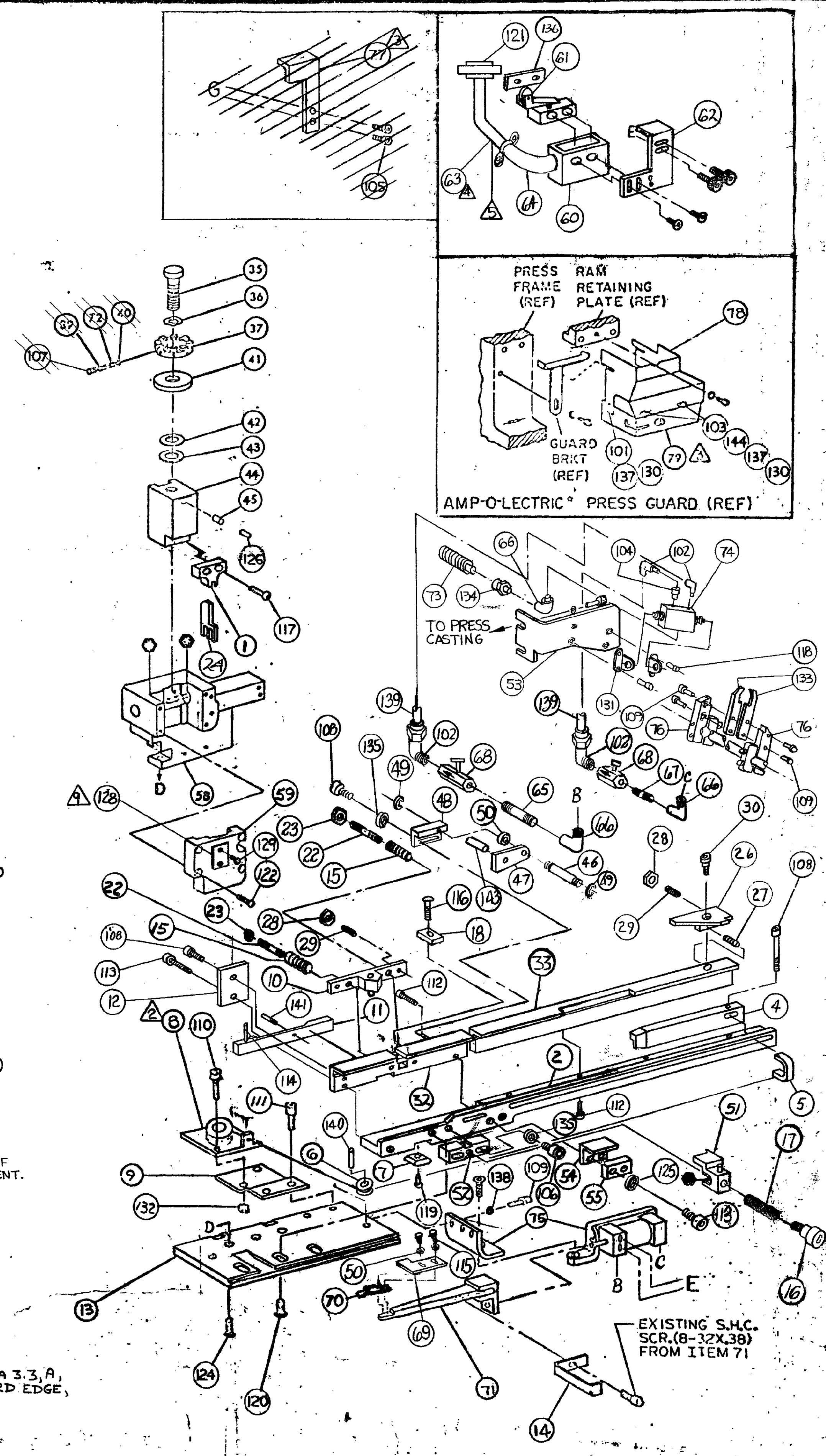


THIS DRAWING IS A CONTROLLED DOCUMENT.



- NOTES**
- 1 ONLY THE ITEMS WITH QUANTITIES SPECIFIED ON PARTS LIST ARE USED ON THIS APPLICATOR.
  - 2 REMOVE LOOPED END FROM ITEM 8 AND INSTALL ITEM 55
  - 3 GUARD MUST BE IN PLACE WHEN OPERATING APPLICATOR IN AMP-O-LECTRIC PRESS.
  - 4 SEE DRAWINGS FOR COMPONENTS
  - 5 SEE CUSTOMER MANUAL (CM5128) BASIC AMP-O-LECTRIC PRESSES FOR INSTALLATION OF THIS INTERLOCK SWITCH
  - 6 TERMINATED LIKE CLOSED END CONNECTOR (NOT FEED THRU)
  - 7 ADJUST DAMPER SCREW FULL DOWN, IF NECESSARY REMOVE FOR REPLACEMENT.
- KEY:**
- RECOMMENDED SPARE PARTS.
  - ▲ LUBRICATE DAILY USING NO. 20 MACHINE OIL
  - GREASE LIGHTLY
  - Ⓢ QUANTITY IN FEET.
  - ④ IDENTIFY PER SPEC 106-2, PARA 3.3, A, STAMP PN 567020-1, MTA CARD EDGE, & SERIAL NO.

QTY	PART NO.	DESCRIPTION	ITEM	QTY	PART NO.	DESCRIPTION	ITEM
1	820278-1	DOCUMENTATION PACKAGE	145	1	461867-1	CAP, RAM	59
2	26928-3	SPACER, SPLIT ROLLED (#X.50) GUARD	144	1	462179-1	HOUSING	58
1	3-21028-4	PIN, SLOT SPR. (.093X.50) LEVER, ANTI BACK-UP	143				57
1	3-21028-4	PIN, SLOT SPR. (.093X.38) GUIDE, HOUSING, FRONT	142				56
1	21028-2	PIN, SLOT SPR. (.062X.25) GUIDE, HOUSING, REAR	141				55
1	21029-4	PIN, SLOT SPG. (.187X.62) PULLEY, PUSHER	140				54
3	27319-4	TUBING, PLASTIC 1/4 OD.	139				53
4	22260-6	WASHER, FLAT (#8) AIR FEED ASS'Y	138				52
4	22260-6	WASHER, FLAT (#8) GUARD	137				51
4	465603-1	NUT, MOUNTING	136				50
3	21028-5	WASHER, FLAT #6 BLOCK, LOCATOR	135				49
1	22312-4	ADAPTER, PIPE THREAD 3 WAY SLEEVE VALVE	134				48
2	809894-1	EXTENSION ARM	133				47
2	21022-3	NUT, HEX, SELF-LKG (10-32) REEL, RETRIEVER	132				46
2	27368-1	BRACKET	131				45
3	21018-6	NUT, HEX, MACH. (8-32) GUARD	130				44
2	21017-2	SCR, DRIVE # 2 X.19	129				43
1	464249-1	PLATE, IDENTIFICATION	128				42
			127				41
1	21009-2	SCR, SOC. SET (1/4-20X.25) (LOC-WELL) RAM	126				40
2	21088-1	WASHER, FLAT (#6) FINGER, RETAINER BLOCK	125				39
3	2-22733-9	SCR, BTN. HD. SOC. CAP (1/4-20X.75) (LOC-WELL) PLT.	124				38
			123				37
4	2-21002-9	SCR, BTN. HD. SOC. CAP (10-32X.75) CAP, RAM	122				36
1	22787-2	CONNECTOR, BOX	121				35
3	2-21002-6	SCR, BTN. HD. SOC. CAP (10-32X.38) TRACK, HOUS.	120				34
1	2-21002-6	SCR, BTN. HD. SOC. CAP (10-32X.38) LOCATOR, E.T.	119				33
4	2-21000-5	SCR, SOC. HD. SOC. CAP (8-32X.25)	118				32
2	2-21002-1	SCR, BTN. HD. SOC. CAP (8-32X.38) STUFFER, WIRE	117				31
1	1-21002-4	SCR, BTN. HD. SOC. CAP (4-40X.38) STOP, WIRE	116				30
2	1-21000-9	SCR, SOC. HD. SOC. CAP (4-40X.38) TIP, F. FINGER	115				29
1	4-21028-4	PIN, SLOT SPR. (.096X.125) SLIDE, REL. DRAG	114				28
3	2-21000-1	SCR, SKT. HD. CAP (6-32X.62) BLOCK, RET. FINGER	113				27
5	1-21000-9	SCR, SKT. HD. CAP (6-32X.38) GUIDE, TRACK	112				26
2	3-21000-4	SCR, SKT. HD. CAP (10-32X.38) MOUNT, RET. REEL	111				25
2	3-21000-5	SCR, SKT. HD. CAP (10-32X.50) REEL, RETRIEVER	110				24
7	2-21000-8	SCR, SKT. HD. CAP (8-32X.62) AIR FEED ASS'Y	109				23
2	1-21000-8	SCR, SKT. HD. CAP (6-32X.25) PUSHER, HOUSING	108				22
1	23030-1	SCR, SKT. HD. CAP (6-32X.25) (LOC-WELL) DISC	107				21
2	2-21000-0	SCR, SKT. HD. CAP (6-32X.62) BLOCK, LOCATOR	106				20
1	7-21000-9	SCR, SKT. HD. CAP (4-40X.18) GUARD, AIR CYL.	105				19
1	22312-1	ADAPTER (1/8 NPT)	104				18
2	7-22468-4	SCR, BIND. HD. MACH. (8-32X.88) GUARD	103				17
4	22294-6	ELBOW, MALE (1/4 NPT) 1/4" OD. TUBE / AIR VALVE FEED ASSY	102				16
1	7-22468-0	SCR, BIND. HD. MACH. (8-32X.38) GUARD	101				15
1	461870-2	GUARD, WINDOW	79				14
1	457133-1	SHROUD	78				13
			77				12
2	809893-1	ARM, OPERATING	76				11
1	460277-8	AIR FEED ASSEMBLY	75				10
1	17544-1	AIR FEED VALVE, OFF-ON	74				9
1	24042-2	VALVE, 3-WAY SLEEVE (SHUT-OFF)	73				8
1	690603-1	SPRING ASSIST	72				7
1	1-460680-4	FEED FINGER ASSEMBLY	71				6
1	803047-1	FINGER, FEED	70				5
1	803935-1	CAM, FEED FINGER	69				4
2	23054-1	FLOW CONTROL, 1/8 NPT	68				3
1	22313-5	NIPPLE	67				2
3	22306-1	ELBOW, STREET 90°	66				1
1	22313-9	NIPPLE	65				
1	22808-1	CONNECTOR, 90° BOX	64				
1	465918-1	WIRE, SJO TERMINATED	63				
1	462453-2	BRACKET, SWITCH	62				
1	23699-1	SWITCH, MICRO	61				
1	23486-1	COVER, MICRO SWITCH	60				

APPL USED ON MACHINE PART NO		MACH SERIAL NO	DISTRIBUTION
CUSTOMER NAME		APPL SERIAL NO	ORIGINAL
ADDRESS		PURCHASE ORDER	CUSTOMER COPY
CITY		ENS APP	FIELD ENG COPY

REMARKS	NO	REV
TO APPLY TERMINAL		

WIRE RANGE	INSULATION RANGE	PRESS NO
#18 - #26	.090 MAX. DIA.	565435-5

FOR INSERTION DEPTH OF WIRE IN HOUSING SEE AMP SPECIFICATION 114-1020.

APPLICATOR WILL APPLY		APPLICATOR WILL APPLY	
#18 A.W.G. WIRE		#22 A.W.G. WIRE	
640859	641288	640861	641290
641283		641285	641677
640864		640866	
#20 A.W.G. WIRE		#24 A.W.G. WIRE	
640860	641289	640862	641291
641284	641750	641286	641453
640865		640867	641678
#26 A.W.G. WIRE		640863	641292
		641287	
		640368	

LOC. A  
DIST. 40

AMP INCORPORATED  
Harrisburg, Pa. 17105

MINIATURE QUICK CHANGE APPLICATOR  
CARD EDGE CONN. 156