

**MICRO SWITCH**  
a Honeywell Division

FED. MFG. CODE 91 929

SWITCH - BASIC

CATALOG LISTING

3BV12B013

LP-R1656

REPLACES X100570-BV

RELEASE NO. PR-22229

CATALOG LISTING  
3BV12B013  
PAGE 1 OF 1

**M**

ISSUE  
2

CHECK

REVISIONS  
A CO 83290  
DCS 13 AUG 96

CHECK

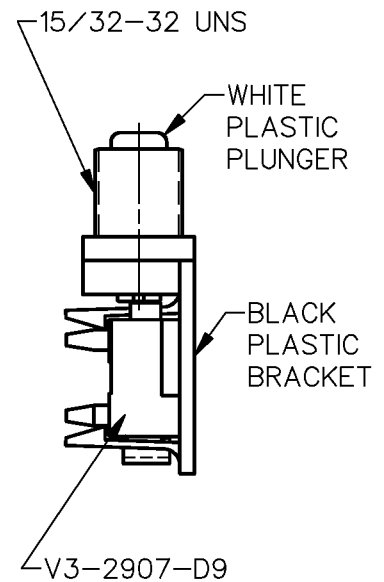
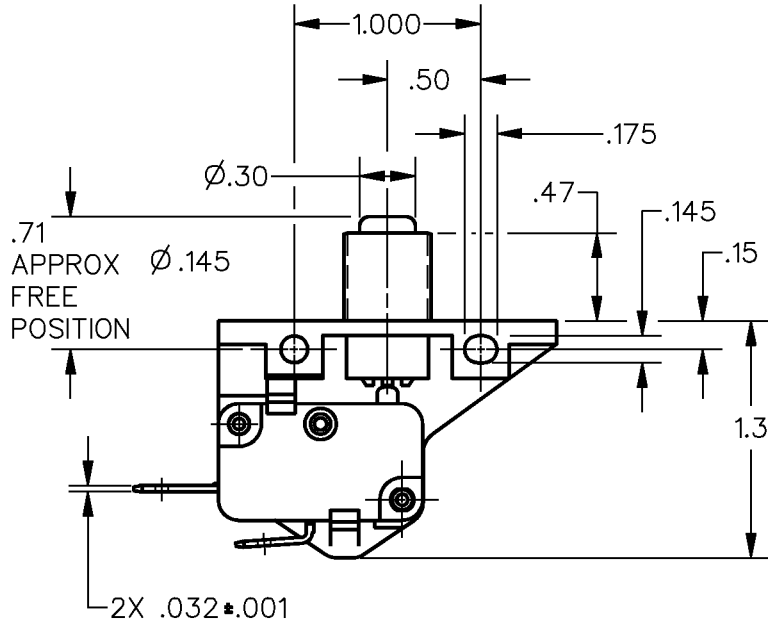
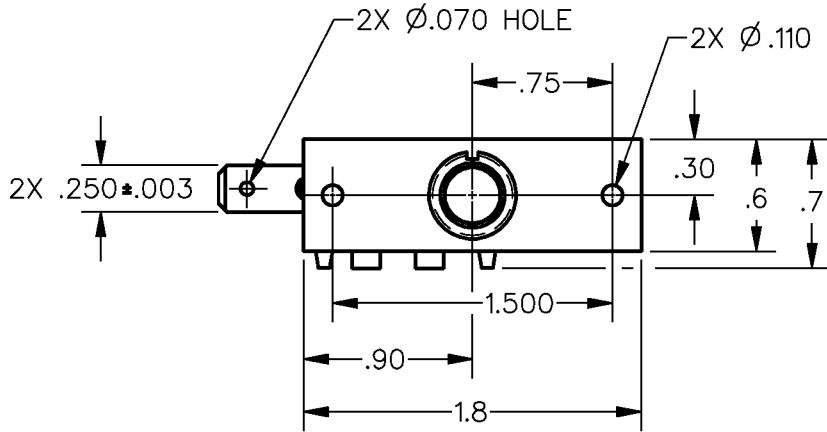
CHECK

7 JUN 96

DRAWN

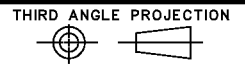
DCS

DDM/CAD



ANSI Y14.5M-1982 APPLIES

THIS DRAWING COVERS A PROPRIETARY ITEM AND IS THE PROPERTY OF MICRO SWITCH, A DIVISION OF HONEYWELL. THIS DRAWING IS NOT TO BE COPIED OR USED WITHOUT THE APPROVAL OF MICRO SWITCH.



CHARACTERISTICS	ELECTRICAL DATA	SCALE FULL	DO NOT SCALE PRINT
		<b>UNLESS OTHERWISE SPECIFIED TOLERANCES ARE</b> ONE PLACE (.0) ±.030 TWO PLACE (.00) ±.015 THREE PLACE (.000) ±.005 ANGLES ± WEIGHT	
OPERATING FORCE --- 180 GRAMS MAX	CONTACT ARRANGEMENT S P N O		
PRETRAVEL --- .052 MAX	25A, 277 VAC 1HP, 125 VAC 2HP, 250 VAC		

