

PART NUMBER	ENGINEERING NO.	FINISHED LENGTH
1300270012	DND02A-M010	3' 3" [1M]
1300270014	DND02A-M020	6' 7" [2M]
1300270015	DND02A-M030	9' 10" [3M]
1300270016	DND02A-M040	13' 1" [4M]
1300270017	DND02A-M050	16' 5" [5M]

ⓑ CABLE LENGTH TOLERANCES

>.3M [1FT]: +19mm-0 [+.75in-0]

.3 - .9M [1 - 3FT]: +44.5mm-0 [+1.75in-0]

.9 - 1.8M [3 - 6FT]: +55.6mm-0 [+2.19in-0]

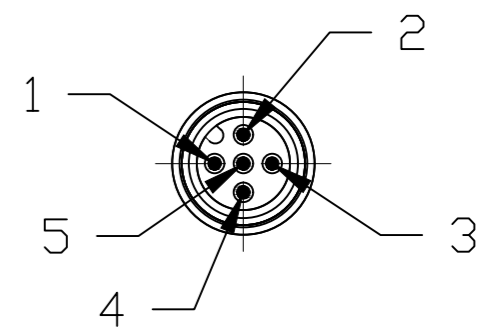
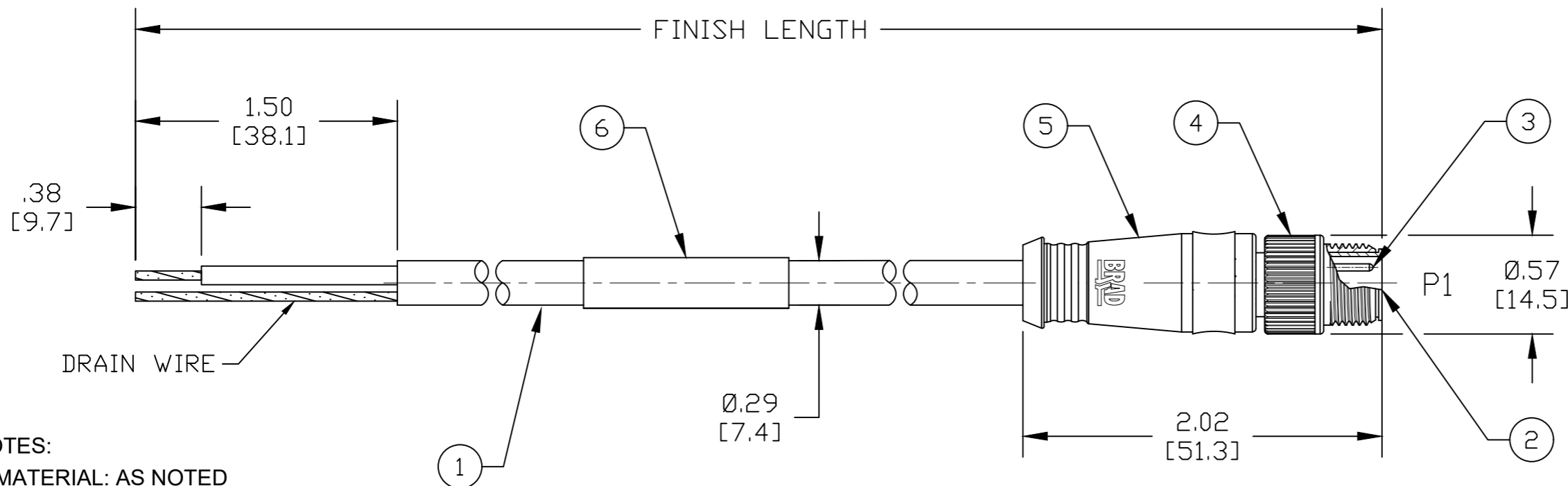
1.8 - 3.7M [6 - 12FT]: +88.9mm-0 [+3.50in-0]

3.7 - 7.3M [12 - 24FT]: +165.1mm-0 [+6.50in-0]

7.3-14.6M [24 - 48FT]: +317.5mm-0 [+12.50in-0]

14.6 - 30.5M [48-100FT]: +622.3mm-0 [+24.50in-0]

OVER 30M [100FT] +2% OF FINISHED LENGTH

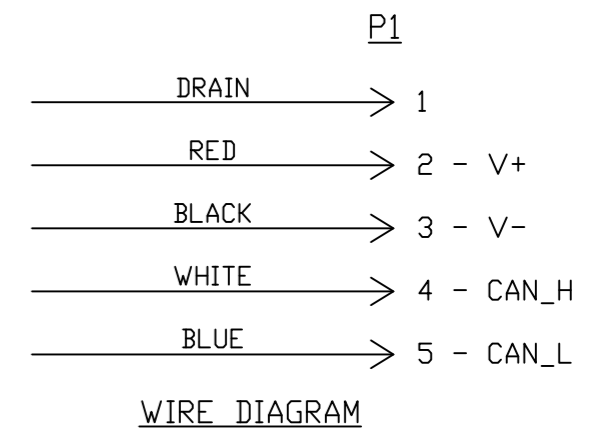


- ⓑ NOTES:**
1. MATERIAL: AS NOTED
 2. FINISH: AS NOTED
 3. ELECTRICAL:
VOLTAGE: 250V
CURRENT: 4A
 4. TEMP RATING: -20°C TO +80°C
 5. PROTECTION: IP67 (WHEN MATED)
 6. COUPLING THREAD: M12 X 1.0
 7. UL LISTED FILE: E152210
CSA CERTIFIED: LR6837
 8. ALL DIMS ARE FOR REFERENCE UNLESS TOLERANCED OR NOTED OTHERWISE

ⓑ PART NUMBER LEGEND

DND02A-M010

FINISHED LENGTH:
M005= 0.5 METER
M010= 1.0 METER
M100= 10.0 METERS



ITEM	DESCRIPTION	MATERIAL	FINISH
6	LABEL	VINYL	BLACK/YELLOW
5	OVERMOLD	TPC ⓑ	GRAY
4	M12 COUPLING NUT	ZINC DIE-CAST	BLACK
3	CONTACT PIN	COPPER ALLOY	GOLD PLATED
2	INSERT, 5P MALE	NYLON	BLACK
1	DEVICENET DROP CABLE, 22 AWG	PVC JACKET	GRAY

FUNCTIONAL SYMBOLS $F_A=0$ $F_C=0$ $F_P=0$				DIVISIONAL SYMBOLS 4 PLACES ±--- ±--- 3 PLACES ±--- ±0.005 2 PLACES ±--- ±0.01 1 PLACE ±--- ±0.02 0 PLACES ±--- ±--- ANGULAR TOL ± 0.5°				THIS DRAWING CONTAINS INFORMATION THAT IS PROPRIETARY TO MOLEX ELECTRONIC TECHNOLOGIES, LLC AND SHOULD NOT BE USED WITHOUT WRITTEN PERMISSION DIMENSION UNITS: INCH/MM SCALE: 1:1 GENERAL TOLERANCES (UNLESS SPECIFIED)				CURRENT REV DESC: ADD P/NS TO TABLE, UPDATE NOTES, ADD CABLE LENTH TOLS. & P/N LEGEND, O-MOLD WAS PVC, UPDATE BORDER EC NO: 643410 DRWN: RSTONE 2020/08/14 CHK'D: CCHRSTKA 2020/08/17 APPR: BWOODMAN 2020/08/17				molex MICRO-CHANGE DEVICE-NET CABLE ASSY MALE, M12, STRAIGHT, 22AWG PVC											
DRAFT WHERE APPLICABLE MUST REMAIN WITHIN DIMENSIONS				THIRD ANGLE PROJECTION				DRAWING: B-SIZE				SERIES: 130027				MATERIAL NUMBER: SEE P/N LEGEND				CUSTOMER: GENERAL MARKET				SHEET NUMBER: 1 OF 1			
DOCUMENT STATUS: P1				RELEASE DATE: 2020/08/17 21:20:53				INITIAL REVISION: DRWN: VOU 2009/07/30 APPR: JFMURPHY 2009/08/10				DOCUMENT NUMBER: SD-130027-001				DOC TYPE: PSD				DOC PART: 001				REVISION: B			