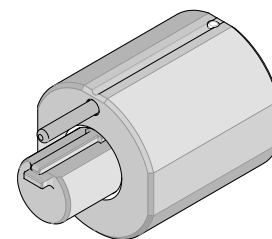




**Extractor Tool**

**Application Tooling  
Specification Sheet**



**Order No. 63824-5400**

**FEATURES**

- This Extractor Tool is for the removal of a CTX280 Receptacle Crimp Terminal (98675 Series) from a 53, 70, 104, or 120 Way CMX Connector.

**SCOPE**

**Products:** CTX280 Receptacle Crimp Terminal for CMX Connector.

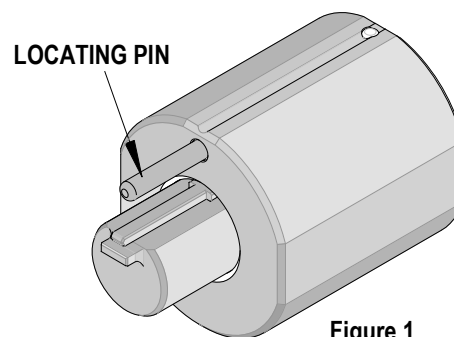
Terminal Series No.	Terminal Order No.					
98675 Unsealed	98675-0001	98675-0002	98675-0003	98675-0004	9867-0011	98675-0012
	98675-0013	98675-0014	98675-0021	98675-0022	98675-0023	98675-0024
	98675-0031	98675-0032	98675-0033	98675-0034		
98675 Sealed	98675-1001	98675-1002	98675-1003	98675-1004	98675-1011	98675-1012
	98675-1013	98675-1014	98675-1021	98675-1022	98675-1023	98675-1024
	98675-1031	98675-1032	98675-1033	98675-1034		

**TPA Latch**

Before terminals can be extracted the TPA latch must be opened. Use the applicable extractor tool below:

- ▶ For 53 Way Connectors see document ATS-638240100.
  - For 70 Way Connectors see document ATS-638241900.
  - For 104 Way Connectors see document ATS-638242000
  - For 120 Way Connectors see document ATS-638242000.
- (Not used on the 27-48 Way connectors)

- ▶ For the 53 Way connector, the locating pin will need to be removed from the 63824-5400 Extractor Tool. See Figure 1.



**Figure 1**

1. Insert the extractor tool into the (2) side slots of the (TPA) secondary lock on each sides until it stops. See Figure 2.
2. While keeping the extractor tool in this position pull down on the (TPA) secondary lock. See Figure 3.
3. Remove the extractor tool and check the position of the TPA.

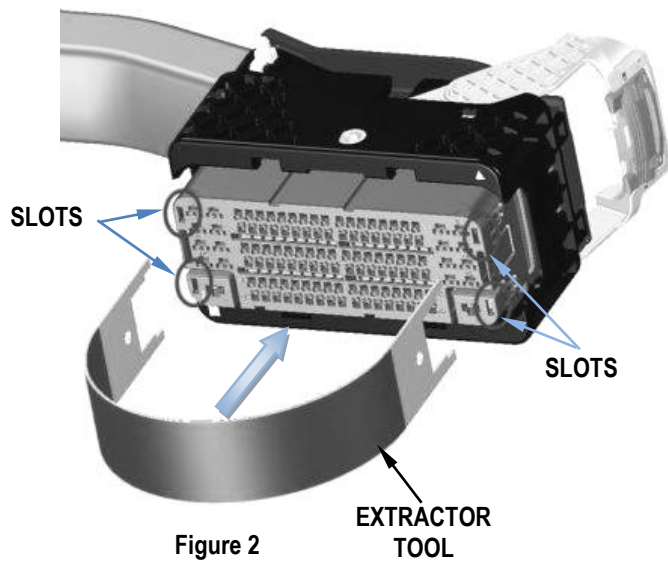


Figure 2

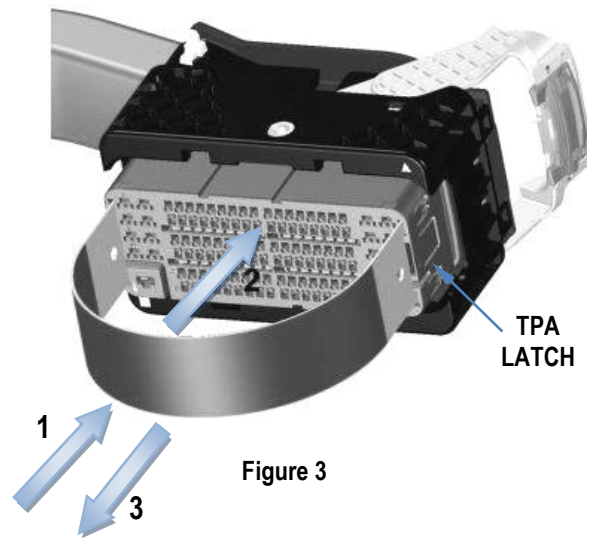


Figure 3

**OPERATION:**

When removing a damaged crimped wire from the CMX connector follow the steps below:

1. Position the blade of the extraction tool into the small “T” slot in the front face of the housing as shown in Figure 4. Use the identifying markings on both the front and back of the connector to locate the opening used to extract the crimped wire.

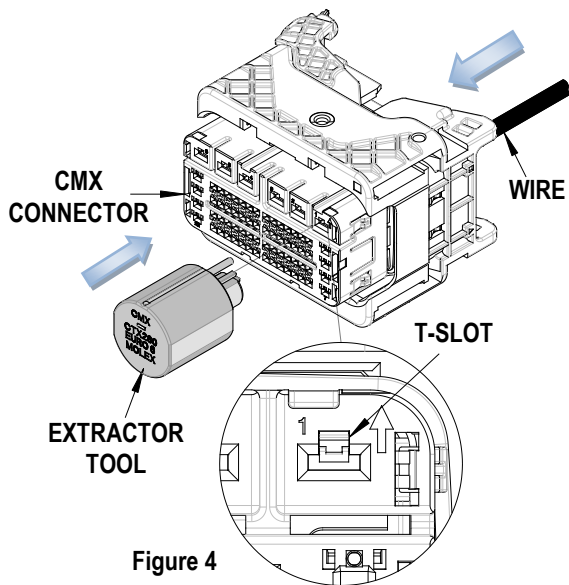


Figure 4

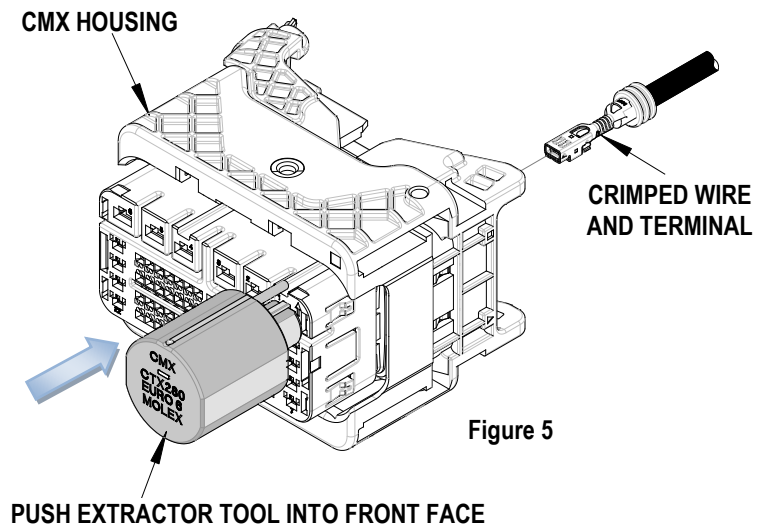


Figure 5

2. Push extractor tool into the desired “T” slot until it clicks or comes to a stop. Do not force the extractor tool any further or there can be damage to the housing. See Figure 5.
3. Gently push the wire forward towards the housing and then pull out of the CMX housing.
4. Molex does not offer repair parts for Extractor Tools due to the inexpensive nature of these tools.

Visit our Web site at <http://www.molex.com>