

1064533-1 ✓ ACTIVE

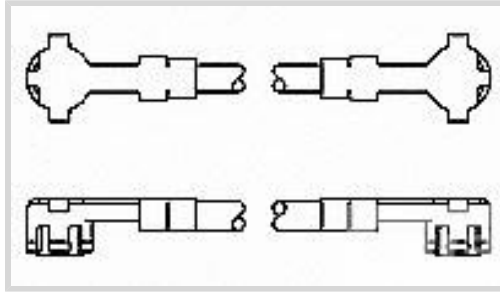


TE Internal #: 1064533-1

SSMT Cable Assembly, 1 ft [.3 m], Blue Cable, 0 – 6 GHz Operating Frequency, 50 Ω, FEP Fluorocarbon, 30 AWG, .052 in [1.32 mm] Diameter, SSMT Jack

[View on TE.com >](#)

Cable Assemblies > RF Cable Assemblies



Connector Type (End A): **SSMT Jack**

Jacket Material: **FEP Fluorocarbon**

Cable Assembly Length: **.3 m [ 1 ft ]**

Cable Color: **Blue**

Operating Temperature Range: **-40 – 125 °C [ -40 – 257 °F ]**

## Features

### Product Type Features

Coax Cable Type	9960-48
Connector Type (End A)	SSMT Jack
Connector Type (End B)	SSMT Jack
Cable Assembly Type	SSMT

### Configuration Features

Number of Connectorized Ends	2
------------------------------	---

### Electrical Characteristics

Insulation Resistance	1000 MΩ
Operating Voltage	250 VAC
Impedance	50 Ω

### Body Features

Conductor Plating Material	Silver
Shield Plating Material	Silver
Shield Material	Copper Wire
Body Plating Material	Gold over Nickel
Conductor Material	Copper Clad Steel
Jacket Material	FEP Fluorocarbon
Cable Color	Blue

### Contact Features



Center Contact Plating	Gold over Nickel
Contact Mating Area Plating Material	Gold
Contact Base Material	Beryllium Copper

### Mechanical Attachment

Mating Diameter	2.5 mm
-----------------	--------

### Dimensions

Wire Size	30 AWG
Mated Height	2.1 mm
Outside Cable Diameter	1.32 mm [.052 in]

### Usage Conditions

Operating Temperature Range	-40 – 125 °C [-40 – 257 °F]
-----------------------------	-----------------------------

### Operation/Application

Shielded	Yes
Operating Frequency	0 – 6 GHz

### Other

Dielectric Material	Polypropylene
Cable Assembly Length	.3 m [1 ft]

## Product Compliance

[For compliance documentation, visit the product page on TE.com>](#)

EU RoHS Directive 2011/65/EU	Compliant
EU ELV Directive 2000/53/EC	Compliant
China RoHS 2 Directive MIIT Order No 32, 2016	No Restricted Materials Above Threshold
EU REACH Regulation (EC) No. 1907/2006	Current ECHA Candidate List: JUNE 2023 (235) Candidate List Declared Against: JUNE 2022 (224) Does not contain REACH SVHC
Halogen Content	Low Bromine/Chlorine - Br and Cl < 900 ppm per homogenous material. Also BFR /CFR/PVC Free
Solder Process Capability	Not applicable for solder process capability

Product Compliance Disclaimer

This information is provided based on reasonable inquiry of our suppliers and represents our current actual knowledge based on the information they provided. This information is subject to change. The part numbers that TE has identified as EU RoHS compliant have a maximum concentration of 0.1% by weight in homogenous materials for lead, hexavalent chromium, mercury, PBB, PBDE, DBP, BBP, DEHP, DIBP, and 0.01% for cadmium, or qualify for an exemption to these limits as defined in the Annexes of Directive 2011/65/EU (RoHS2). Finished electrical and electronic equipment products will be CE marked as required by Directive 2011/65/EU. Components may not be CE marked. Additionally, the part numbers that TE has identified as EU ELV compliant have a maximum concentration of 0.1% by weight in homogenous materials for lead, hexavalent chromium, and mercury, and 0.01% for cadmium, or qualify for an exemption to these limits as defined in the Annexes of Directive 2000/53/EC (ELV). Regarding the REACH Regulation, the information TE provides on SVHC in articles for this part number is based on the latest European Chemicals Agency (ECHA) 'Guidance on requirements for substances in articles' posted at this URL: <https://echa.europa.eu/guidance-documents/guidance-on-reach>

## Compatible Parts



TE Part # 1055689-1  
2367 5002 54,VERT PLUG



TE Part # 1055687-1  
2367 0000 54, VERT PLUG



TE Part # 1055692-1  
2367 5016 54 OSMT PLUG,2500/RL



TE Part # 1055688-1  
2367 5001 54, VERT PLUG



TE Part # 1254242-1  
2367 5015 54,OSMT PLUG

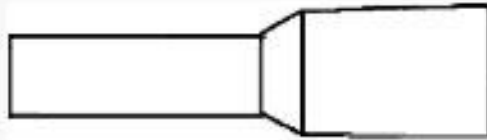
## Customers Also Bought



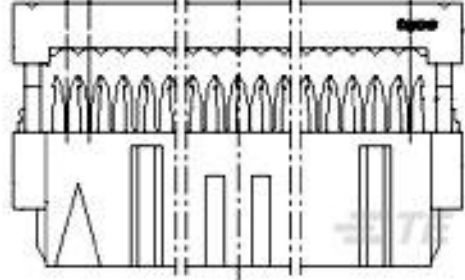
TE Part #292161-4  
CT P/HDR ASSY V 4P W/KINK NAT



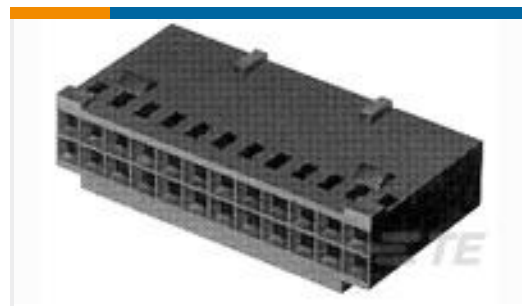
TE Part #1903112-2  
DYNAMIC D1000 TAB CONT AU 0.38  
um M REEL



TE Part #2-966067-2  
FER,WIRE,PL SLV,6.00/10,L12,YELLOW,  
LP



TE Part #1-215882-6  
16 WAY GREY MK II RECP



TE Part #87631-5  
10 MODIV HSG COMP DR .100 POL



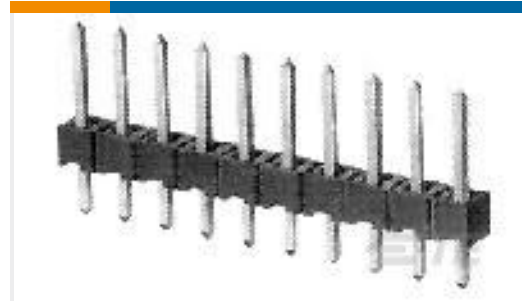
TE Part #499712-1  
KEYING PLUG,NOVO RCPT



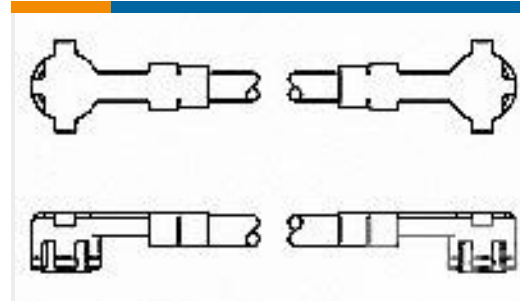
TE Part #1981560-1  
ME M D1100 24P-R PLUG CASE ASSY



TE Part #1939851-1  
ME 67M 9-11 SHIELD CLIP



TE Part #826630-3  
3P AMPMODU II STIFT LEI



TE Part #1084305-1  
9960 1090 24

## Documents

### Product Drawings

[9960 1305 24](#)

English

### CAD Files

[3D PDF](#)

3D

#### Customer View Model

[ENG\\_CVM\\_CVM\\_1064533-1\\_C.2d\\_dxf.zip](#)

English

#### Customer View Model

[ENG\\_CVM\\_CVM\\_1064533-1\\_C.3d\\_igs.zip](#)

English

#### Customer View Model

[ENG\\_CVM\\_CVM\\_1064533-1\\_C.3d\\_stp.zip](#)

English

By downloading the CAD file I accept and agree to the [Terms and Conditions](#) of use.

### Datasheets & Catalog Pages

[SSMT Connectors](#)

English