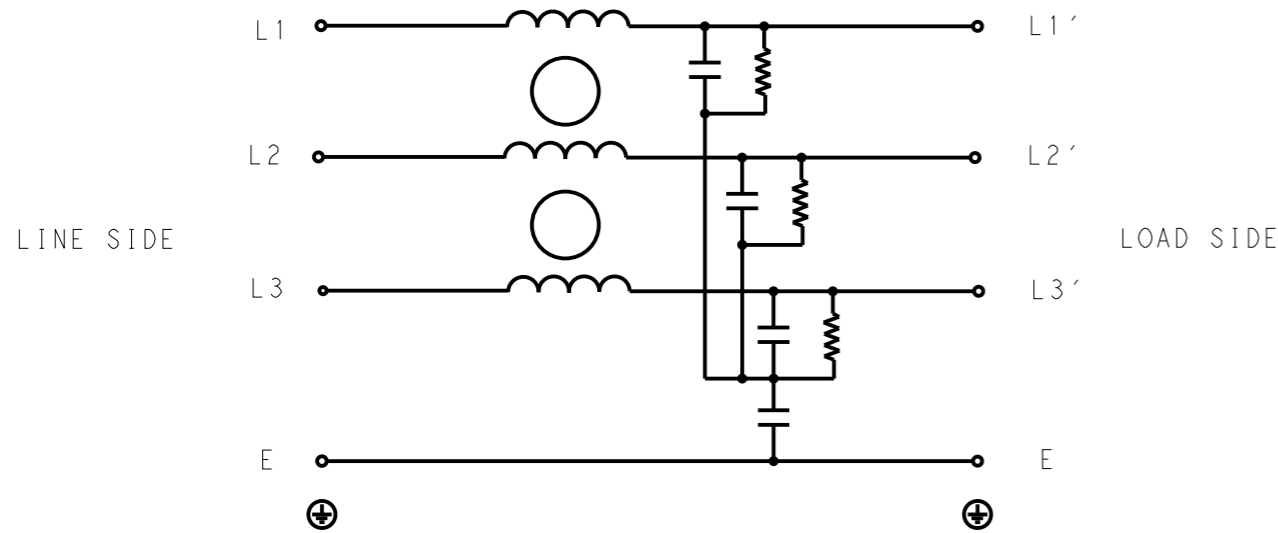


P	LTR	DESCRIPTION	DATE	DWN	APVD
	A	INITIAL RELEASE	05APR2021	SR	CB



SCHEMATIC

TYPICAL INSERTION LOSS  
COMMON MODE 50/50Ω; DIFFERENTIAL MODE 50/50Ω

MHz	0.01	0.05	0.15	0.5	1	3	5	10	30
CM	2	4	5	22	27	30	32	35	24
DM	2	5	5	24	42	38	40	31	29

SAFETY ORGANIZATIONS

THIS FILTER WILL BE FORMALLY RECOGNIZED, CERTIFIED OR APPROVED BY THE LISTED AGENCY. THEREFORE, ALL TEST/REQUIREMENTS SPECIFIED IN THE LATEST REVISION OF THE FOLLOWING AGENCY STANDARDS WILL BE MET:

UL APPROVED 60A 520V 50Hz/60Hz 40°C  
CSA PENDING 60A 520V 50Hz/60Hz 40°C

OPERATING SPECIFICATION

LINE CURRENT/VOLTAGE: 60A, 520VAC  
LINE FREQUENCY: 50/60Hz

MAXIMUM LEAKAGE CURRENT: 5mA @ 230VAC, 50Hz

OPERATING AMBIENT TEMPERATURE RANGE @ RATED CURRENT: -25°C TO +40°C

IN AN AMBIENT, T<sub>a</sub>, HIGHER THAN 40°C, THE MAXIMUM OPERATING CURRENT, I<sub>o</sub>, IS AS FOLLOWS:

$$I_o = I_r \sqrt{\frac{85 - T_a}{45}}$$

RELIABILITY SPECIFICATIONS

STORAGE TEMPERATURE: -40°C TO +85°C  
HUMIDITY: 21 DAYS @ 40°C AND 95% RH

TEST SPECIFICATIONS

INDUCTANCE, NOMINAL: 0.2mH

CAPACITANCE @ 1kHz

LINE TO GROUND, NOMINAL: 21nF  
LINE TO LINE, NOMINAL: 235nF

DISCHARGE RESISTOR

L/G I.R. 680kΩ 2W

L/L I.R. 2MΩ 2W

L/N I.R. XXX

N/G I.R. XXX

IR (NO DISCHARGE RESISTOR) 20°C, 50% RH AND 100VDC, MIN: 6MΩ

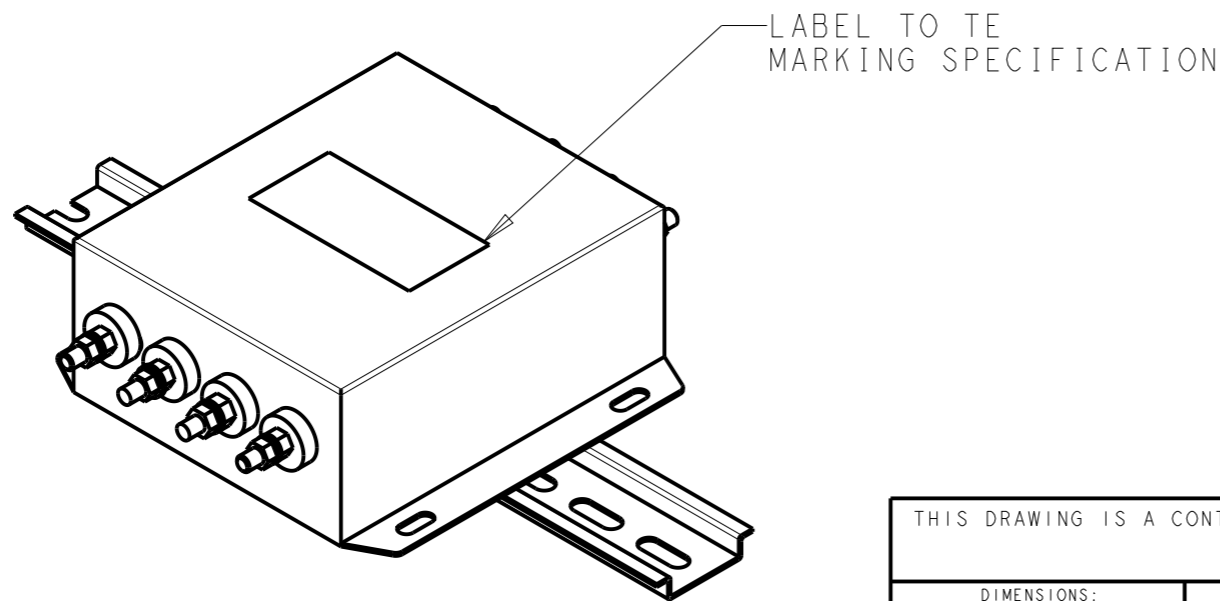
RECOMMENDED RECEIVING INSPECITON HIPOT

LINE TO GROUND FOR 1 MINUTE: 2856VDC

LINE TO LINE FOR 1 MINUTE: 2236VDC

FILTER APPROVAL

THE BEST WAY TO SELECT AND QUALIFY A FILTER IS FOR YOUR ENGINEERING TO TEST THE UNIT IN YOUR EQUIPMENT.



THIS DRAWING IS A CONTROLLED DOCUMENT.		DWN SUPREETH R 05APR2021		
		CHK CHRIS BOLLE 05APR2021		
DIMENSIONS: mm		APVD CHRIS BOLLE 05APR2021	NAME POWER LINE FILTER FOR DIN 35 RAIL INSTALLATION 60KEBS6BFPDVM	
TOLERANCES UNLESS OTHERWISE SPECIFIED:		PRODUCT SPEC -	RESTRICTED TO -	
0 PLC ±-		APPLICATION SPEC -	SIZE A300779 CAGE CODE C-7-1609965-5	
1 PLC ±0.5		WEIGHT -	SCALE 1:2 SHEET 1 OF 2 REV A	
2 PLC ±0.40		CUSTOMER DRAWING		
3 PLC ±0.130				
4 PLC ±0.0500				
ANGLES ±-				
MATERIAL -				
FINISH -				

© 2021 TE Connectivity. All Rights Reserved.

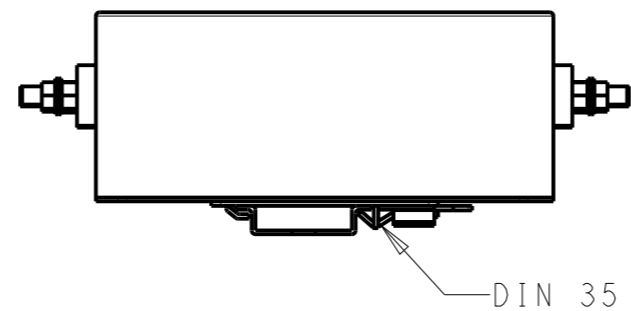
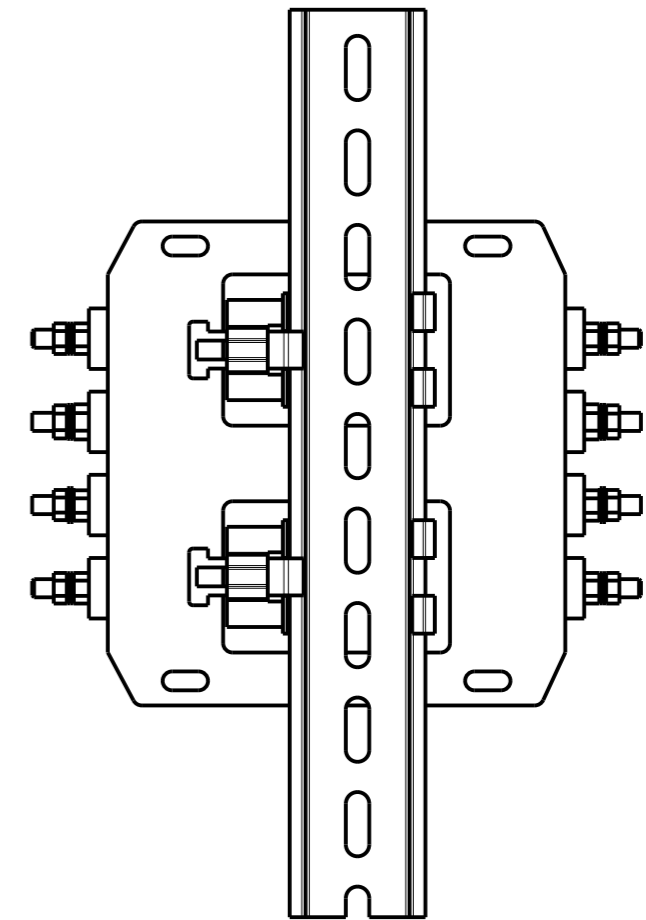
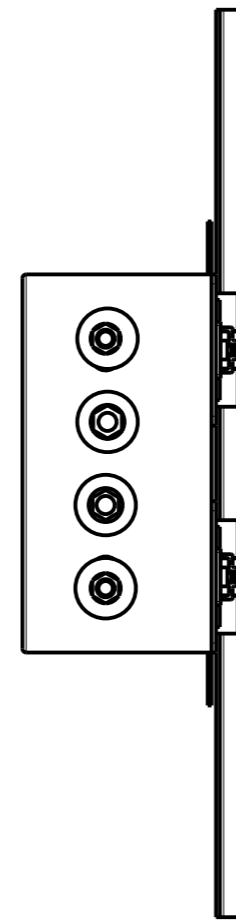
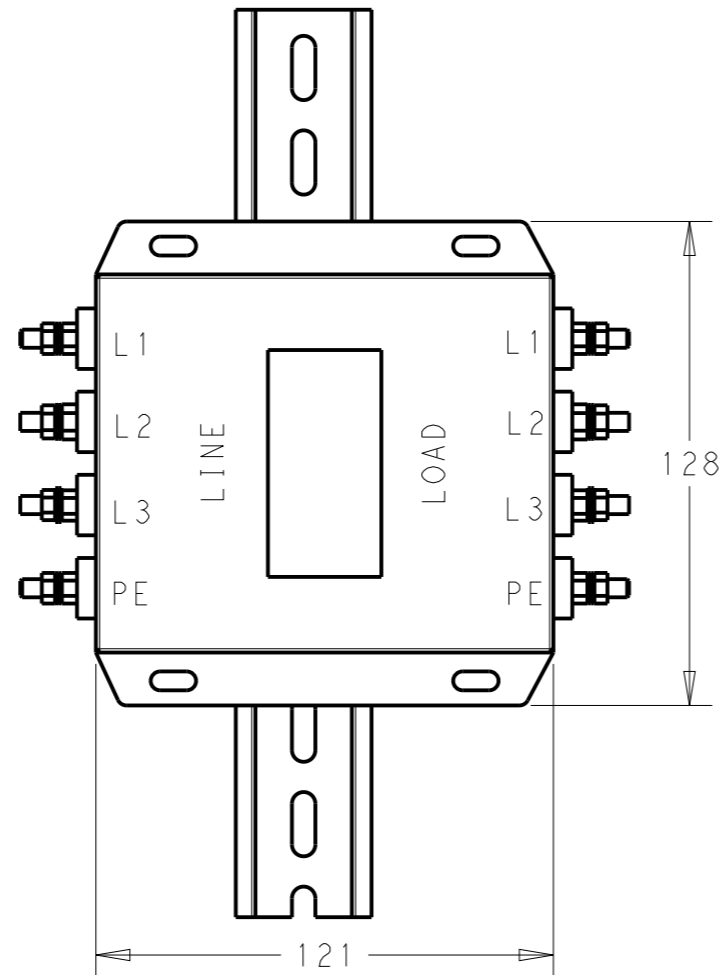
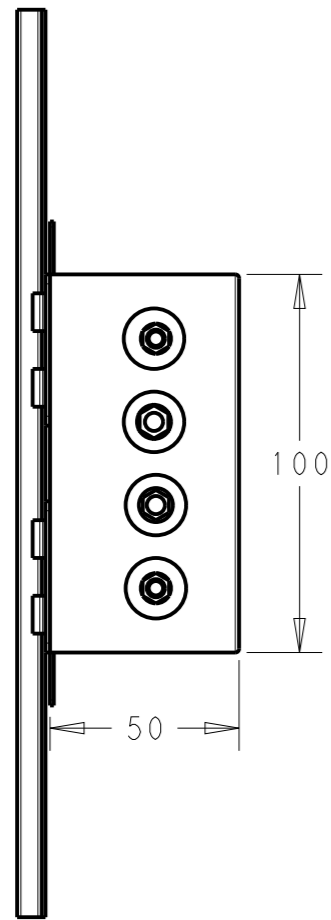
NOTE 1 GROUND CONNECTION:  
DO NOT LOOSEN INNER GROUND NUTS.  
TORQUE OUTER TERMINAL /GROUND NUTS: 2.5-3 Nm

NOTE 4 DRAWING SHOWS DIN RAIL FOR  
REFERENCE ONLY.

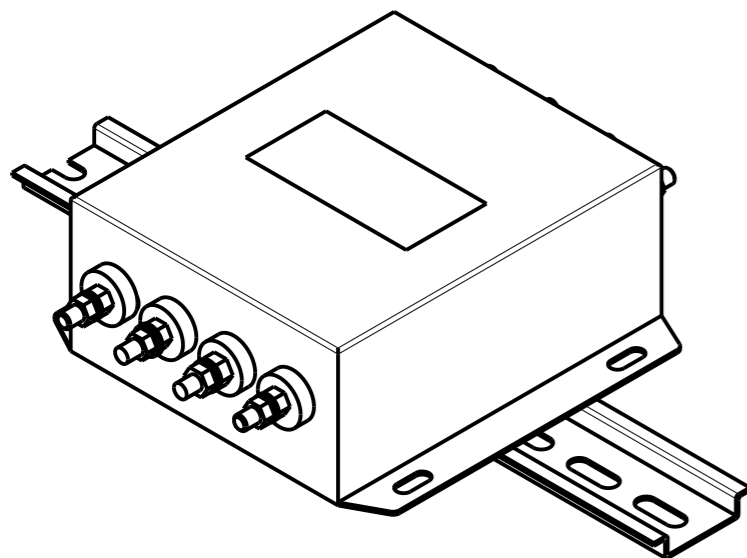
NOTE 2 INPUT OUTPUT CONNECTION TERMINAL  
AWG SIZE: XXX  
THREADED BOLT SIZE FOR TERMINAL: M6  
THREADED BOLT SIZE FOR GROUND: M6

NOTE 3 SUPPLIED WITH DIN RAIL BRACKET

REVISIONS					
P	LTR	DESCRIPTION	DATE	DWN	APVD
	-	SEE SHEET 1	-	-	-



DIN 35



THIS DRAWING IS A CONTROLLED DOCUMENT.		DWN SUPREETH R 05APR2021		
		CHK CHRIS BOLLE 05APR2021		
		APVD CHRIS BOLLE 05APR2021	NAME POWER LINE FILTER FOR DIN 35 RAIL INSTALLATION 60KEBS6BFPDVM	
DIMENSIONS: mm		PRODUCT SPEC -	RESTRICTED TO -	
TOLERANCES UNLESS OTHERWISE SPECIFIED:		APPLICATION SPEC -	SIZE A3	CAGE CODE 00779
0 PLC ±0.5		WEIGHT -	DRAWING NO C-7-1609965-5	
1 PLC ±0.40				
2 PLC ±0.130				
3 PLC ±0.0500				
4 PLC ±				
ANGLES ±				
MATERIAL -	FINISH -	SCALE 1:2		
		SHEET 2 OF 2		REV A
		CUSTOMER DRAWING		