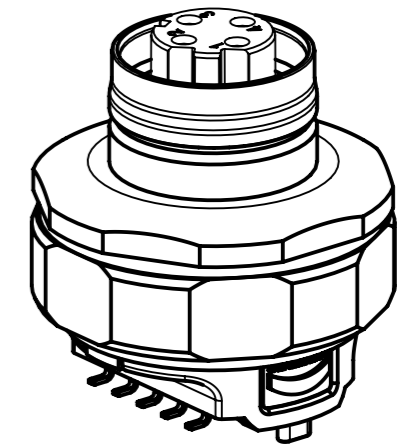
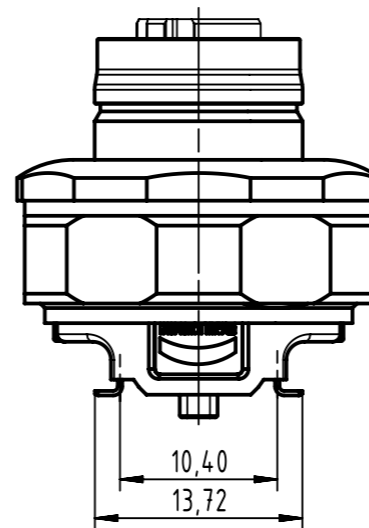
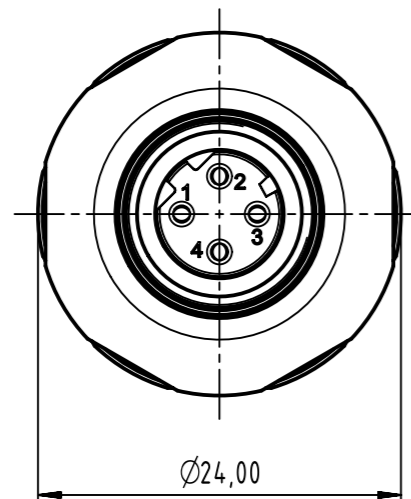


mating face based on
IEC 61076-2-101



1 PC Packaging

Content: 1 x 21033812411

M12 transformer straight D-coded 10/100 BASE-T

1 x 21033012006

Front mounting kits

Further information see data sheet: 21 03 381 0101

	All rights reserved	Created by ZHUANGJ	Inspected by ZENGO	Standardisation SCHREIER	Date 2020-08-27	State Final Release	Ref. Sub.
	Department EL PD	Title M12 WITH MAGNETICS D-CODED STR POE+ FAST ETHERNET				Doc-Key / ECM-Nr. 100696795/UGD/004/D 500000178726	
HARTING Electronics GmbH D-32339 Espelkamp		Type TB	Number 21033812421		Rev. D	Page 1/1	