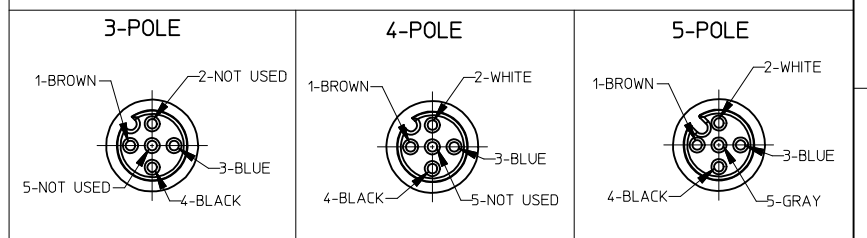


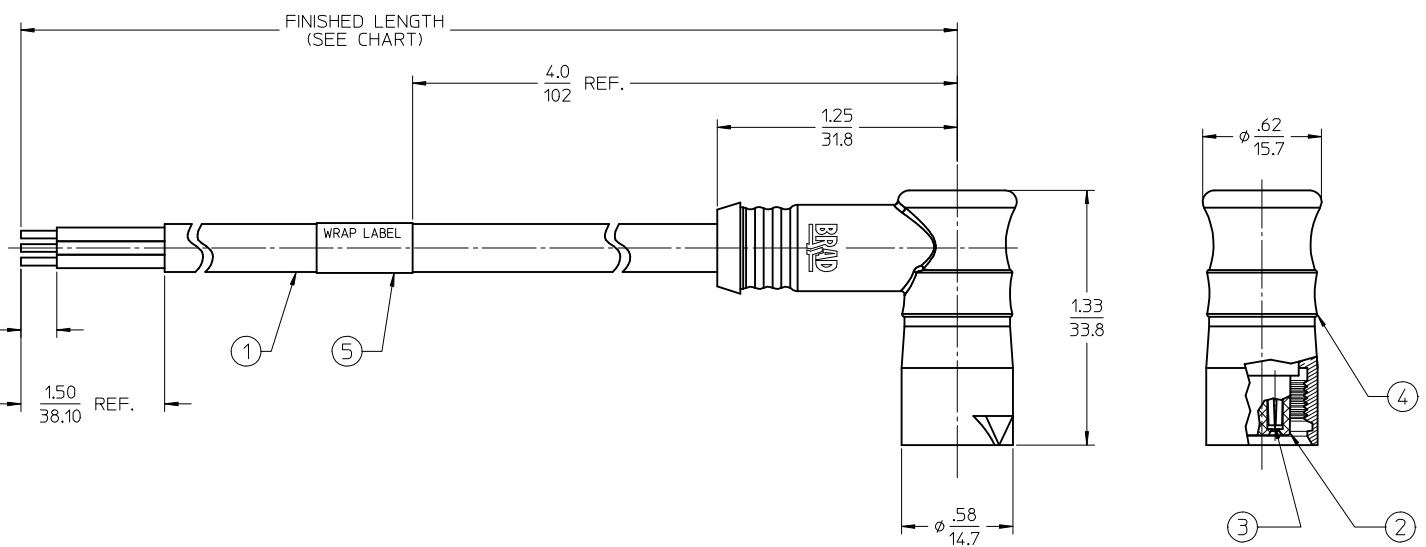
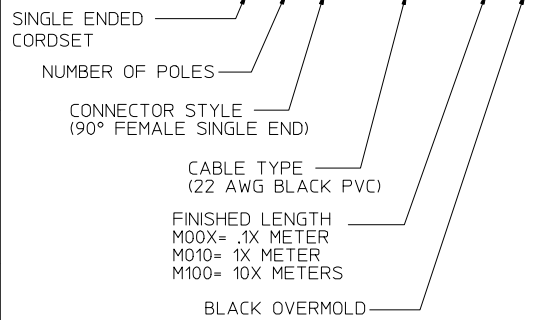
POLES	MATERIAL NO.	ENGINEERING NO.	FINISHED LENGTH
3	1200651422	N03001A41M020G	6'7" +3.50"-0 (2M +88.9mm-0)
3	1200651423	N03001A41M050G	16'5" +6.50"-0 (5M +165.1mm-0)
3	1200651424	N03001A41M100G	32'10" +12.50"-0 (10M +317.5mm-0)
4	1200651425	N04001A41M020G	6'7" +3.50"-0 (2M +88.9mm-0)
4	1200651426	N04001A41M050G	16'5" +6.50"-0 (5M +165.1mm-0)
4	1200651427	N04001A41M100G	32'10" +12.50"-0 (10M +317.5mm-0)

FRONT VIEW - FEMALE INSERT CONFIGURATION CHART



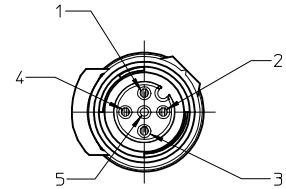
CABLE P/N MATRIX

N0X001A41MXXXG



- NOTES:
1. MATERIAL: SEE TABLE
 2. FINISHES: SEE TABLE
 3. ELECTRICAL SPECIFICATIONS
VOLTAGE RATING: 250V AC/DC
CURRENT RATING: 4 AMPS
 4. XX REFERS TO NUMBER OF CIRCUITS

SEE FRONT VIEW DETAIL FOR SPECIFIC PIN-OUT FOR EACH POLE CONFIGURATION



ITEM	QTY.	DESCRIPTION	MATERIAL	FINISH
5	1	WRAP LABEL	VINYL	BLACK/YELLOW
4	1	MICRO-PUSH OVERMOLD	PVC	BLACK
3	XX	CONTACT SOCKET	Cu ALLOY	GOLD PLATED
2	1	INSERT	NYLON	BLACK
1	A/R	CABLE, 22 AWG, UN SHLD	PVC JACKET	BLACK

<p>RELEASED EC NO: JFG2015-1589 DRAWN BY DRWINRSTONE 2015/03/09 CHKD BY JOZWIK 2015/03/12 APPR. BY JFMURPHY 2015/03/17</p>	QUALITY SYMBOLS	GENERAL TOLERANCES (UNLESS SPECIFIED)	DIMENSION STYLE	SCALE	DESIGN UNITS	THIRD ANGLE PROJECTION																										
	<p>▽=0 ▽=0</p>	<table border="1"> <tr> <th></th> <th>mm</th> <th>INCH</th> </tr> <tr> <td>4 PLACES</td> <td>± .005</td> <td>± .0005</td> </tr> <tr> <td>3 PLACES</td> <td>± .005</td> <td>± .0005</td> </tr> <tr> <td>2 PLACES</td> <td>± .01</td> <td>± .001</td> </tr> <tr> <td>1 PLACE</td> <td>± 0.3</td> <td>± .012</td> </tr> <tr> <td>0 PLACE</td> <td>± .005</td> <td>± .0005</td> </tr> </table>		mm	INCH	4 PLACES	± .005	± .0005	3 PLACES	± .005	± .0005	2 PLACES	± .01	± .001	1 PLACE	± 0.3	± .012	0 PLACE	± .005	± .0005	<table border="1"> <tr> <th>IN/MM</th> <th>DATE</th> </tr> <tr> <td>DRAWN BY RSTONE</td> <td>2015/03/10</td> </tr> <tr> <td>CHECKED BY K JOZWIK</td> <td>2015/03/12</td> </tr> <tr> <td>APPROVED BY JFMURPHY</td> <td>2015/03/17</td> </tr> </table>	IN/MM	DATE	DRAWN BY RSTONE	2015/03/10	CHECKED BY K JOZWIK	2015/03/12	APPROVED BY JFMURPHY	2015/03/17	2:1	INCH	
		mm	INCH																													
	4 PLACES	± .005	± .0005																													
	3 PLACES	± .005	± .0005																													
2 PLACES	± .01	± .001																														
1 PLACE	± 0.3	± .012																														
0 PLACE	± .005	± .0005																														
IN/MM	DATE																															
DRAWN BY RSTONE	2015/03/10																															
CHECKED BY K JOZWIK	2015/03/12																															
APPROVED BY JFMURPHY	2015/03/17																															
	ANGULAR ± 2°	DRAFT WHERE APPLICABLE MUST REMAIN WITHIN DIMENSIONS		<p>TITLE MIC PUSH-ON CABLE ASSY FEMALE 90 DEGREE 22 AWG CABLE</p> <p>molex</p>																												
		SEE P/N CHART	MATERIAL NO.	DOCUMENT NO.	SHEET NO.																											