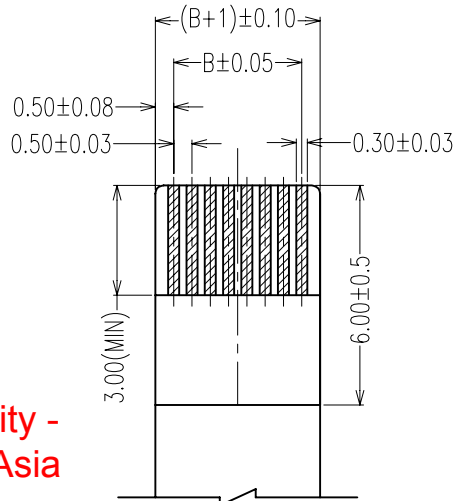
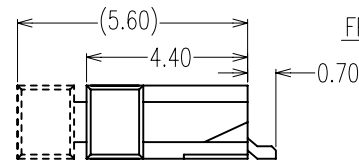


Limited availability -  
contact Harwin Asia  
sales@harwinasia.com

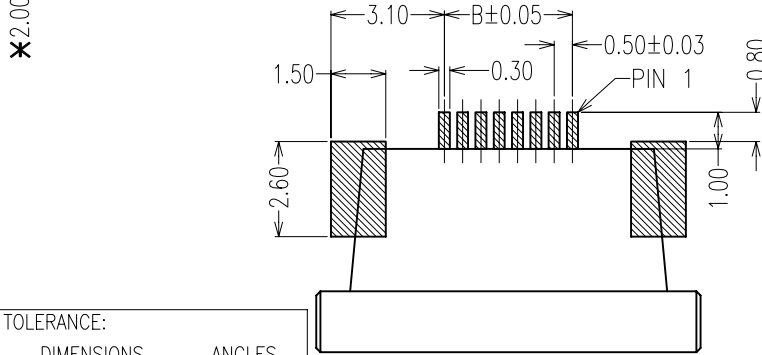


RECOMMENDED APPLICABLE  
FPC LAYOUT (THICKNESS: 0.30±0.03)



PIN	A	B	C
04	8.50	1.50	2.60
05	9.00	2.00	3.10
06	9.50	2.50	3.60
07	10.00	3.00	4.10
08	10.50	3.50	4.60
09	11.00	4.00	5.10
10	11.50	4.50	5.60
11	12.00	5.00	6.10
12	12.50	5.50	6.60
13	13.00	6.00	7.10
14	13.50	6.50	7.60
15	14.00	7.00	8.10
16	14.50	7.50	8.60
17	15.00	8.00	9.10
18	15.50	8.50	9.60
19	16.00	9.00	10.10
20	16.50	9.50	10.60
21	17.00	10.00	11.10
22	17.50	10.50	11.60
23	18.00	11.00	12.10
24	18.50	11.50	12.60
25	19.00	12.00	13.10
26	19.50	12.50	13.60
27	20.00	13.00	14.10
28	20.50	13.50	14.60
29	21.00	14.00	15.10
30	21.50	14.50	15.60

PIN	A	B	C
31	22.00	15.00	16.10
32	22.50	15.50	16.60
33	23.00	16.00	17.10
34	23.50	16.50	17.60
35	24.00	17.00	18.10
36	24.50	17.50	18.60
37	25.00	18.00	19.10
38	25.50	18.50	19.60
39	26.00	19.00	20.10
40	26.50	19.50	20.60
41	27.00	20.00	21.10
42	27.50	20.50	21.60
43	28.00	21.00	22.10
44	28.50	21.50	22.60
45	29.00	22.00	23.10
46	29.50	22.50	23.60
47	30.00	23.00	24.10
48	30.50	23.50	24.60
49	31.00	24.00	25.10
50	31.50	24.50	25.60
51	32.00	25.00	26.10
52	32.50	25.50	26.60
53	33.00	26.00	27.10
54	33.50	26.50	27.60
55	34.00	27.00	28.10
56	34.50	27.50	28.60
57	35.00	28.00	29.10
58	35.50	28.50	29.60
59	36.00	29.00	30.10
60	36.50	29.50	30.60



RECOMMENDED PCB  
PATTERN DIM

SPECIFICATIONS:

MATERIALS:-

HOUSING: HIGH TEMPERATURE THERMOPLASTIC UL94V-0

COLOUR: BLACK

ACTUATOR: HIGH TEMPERATURE THERMOPLASTIC UL94V-0

COLOUR: WHITE

CONTACT: COPPER ALLOY, T=0.2mm

FITTING NAIL: COPPER ALLOY, T=0.2mm

FINISH:-

CONTACT: TIN PLATED

FITTING NAIL: TIN PLATED

NOTES: ALL DIMENSIONS AND NOTES  
MARKED \* ARE CRITICAL AND  
MUST BE CHECKED IN ACCORDANCE  
WITH QUALITY DOC. Q1-02A



\*PLEASE CONTACT TECHNICAL SALES  
FOR WAYS WITH \* FOR AVAILABILITY

TOLERANCE:

DIMENSIONS	ANGLES
X.X = ±0.30mm	±0°30'
X.XX = ±0.20mm	

ORDER CODE  
F05E- XX 2146R  
NO. OF WAYS

Allan	ISS.	DATE	C/NOTE
7	02.09.08	A232	
6	15.09.08	A161	
5	18.12.07	A099	
4	26.07.07	A063	
3	18.07.07	A062	
2	06.07.07	A058	
1	01.08.06	-	

APPROVED: \_\_\_\_\_  
CHECKED: *Paul*  
DRAWN: Allan

CUSTOMER REF.: \_\_\_\_\_  
ASSEMBLY DRG: \_\_\_\_\_



HARWIN USA TEL: 603 893 5376 FAX: 603 893 5396 mis@harwin.com	HARWIN Europe (UK) TEL: 023 9231 4545 FAX: 023 9231 4590 mis@harwin.co.uk	HARWIN Asia TEL: +65 6 779 4909 FAX: +65 6 779 3868 mis@harwin.com.sg
--	--	--

THIS DRAWING AND ANY  
INFORMATION OR DESCRIPTIVE  
MATTER SET OUT HEREON ARE  
CONFIDENTIAL AND COPYRIGHT  
PROPERTY OF THE HARWIN  
GROUP AND MUST NOT BE  
DISCLOSED, LOANED, COPIED  
OR USED FOR MANUFACTURING,  
TENDERING OR FOR ANY  
OTHER PURPOSE WITHOUT  
THEIR WRITTEN PERMISSION.

TOLERANCES  
X = ±1mm  
X.X = ±0.25mm  
X.XX = ±0.10mm  
X.XXX = ±0.01mm  
ANGLES = ±5°  
UNLESS STATED

MATERIAL: SEE ABOVE  
FINISH: SEE ABOVE  
S/AREA: mm<sup>2</sup>

TITLE:  
0.5 ZIP FPC SMT R/A TYPE  
BOTTOM CONTACT  
DRAWING NUMBER:  
F05E- XX 2146R  
SHT 1 OF 1