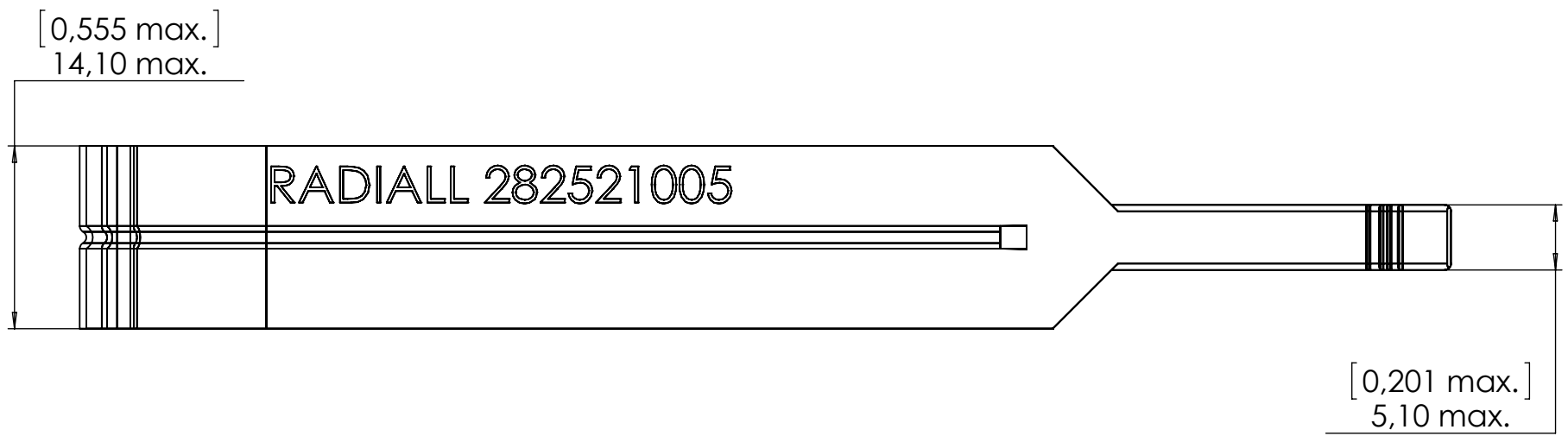
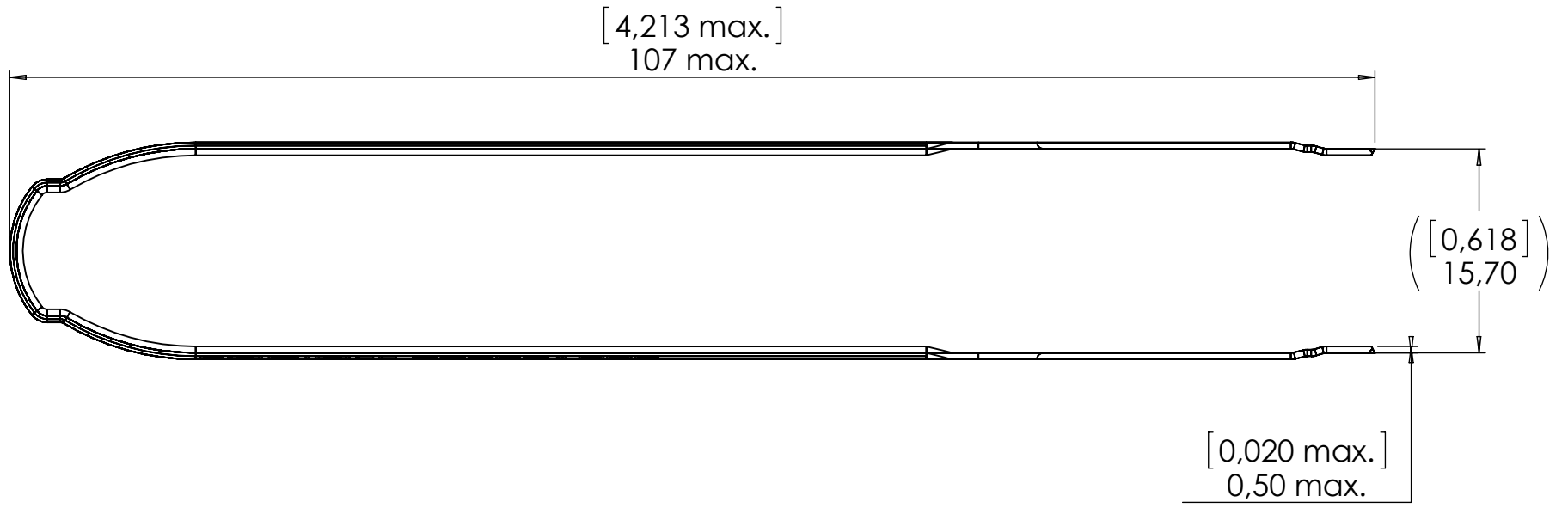


Series
EPXA

INSERT MODULE EXTRAXTION TOOL

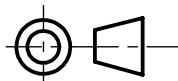
Issue:
Nov. 10, 2015

Page
1/1



MATERIAL :
Stainless steel

DIMENSIONS : mm (inch are given for information only)



Estimated weight : 10.2 g

<p>CREATION</p> <p>PEN:</p> <p>NOM: PAILOT N.</p> <p>DATE: Aug 30, 06</p> <p>APPR.: GARCIA L.</p>				
	Nov. 10, 15	TDS updated	YON P.	VIEIRA D.
	Issue	Revisions	Name	Approved

282521005EN

RADIALL PROPRIETARY INFORMATION

This document contains proprietary information and such information shall not be disclosed to any third party for any purpose whatsoever or used for manufacturing purposes without prior written agreement from RADIALL. This information is given as an indication. In the continual goal to improve our products, we reserve the right to make any modifications judged necessary.

4112_9311