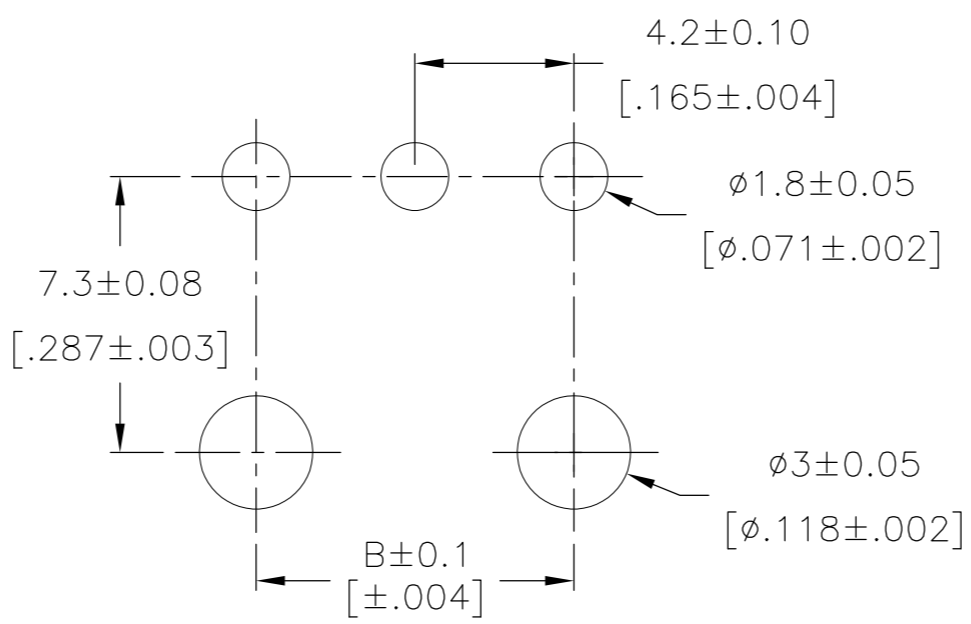
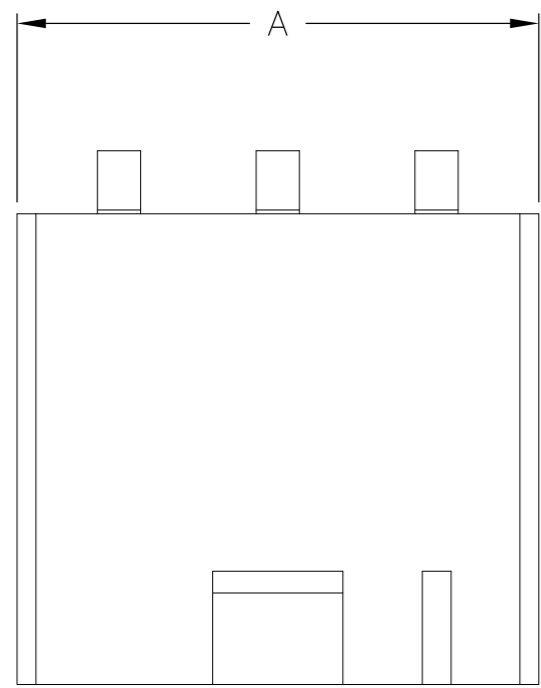
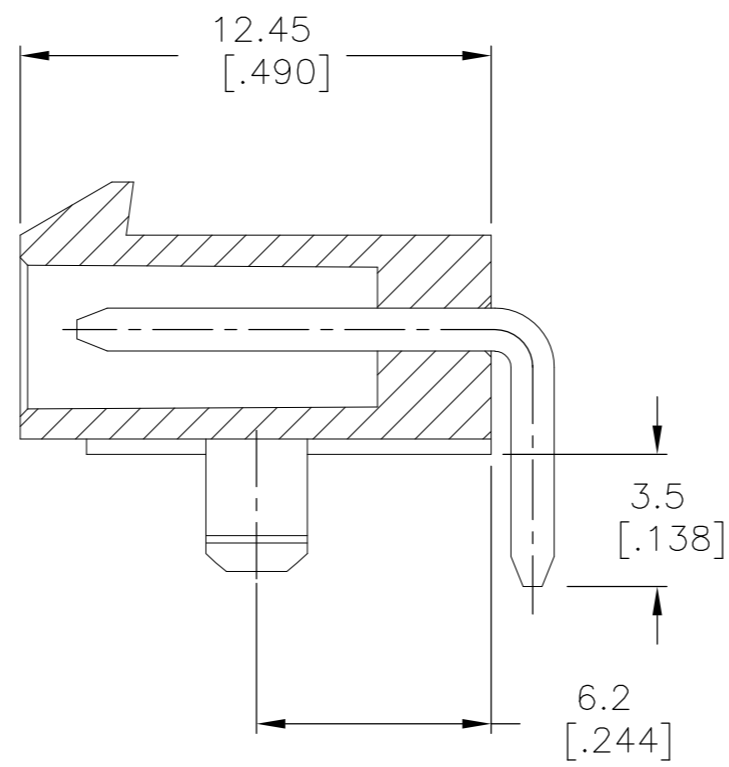
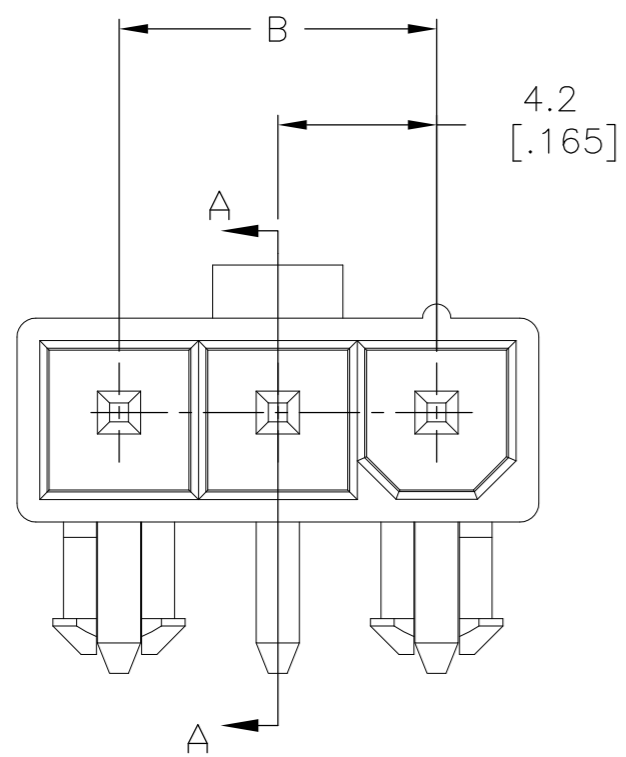


THIS DRAWING IS UNPUBLISHED. RELEASED FOR PUBLICATION  
 © COPYRIGHT - By - ALL RIGHTS RESERVED.

LOC		DIST		REVISIONS			
P	LTR	DESCRIPTION		DATE	DWN	APVD	
	A	RELEASED		16OCT2008	KW	CC	
	B	REVISED ECR-14-015945		26OCT2014	A.Z	D.Z	

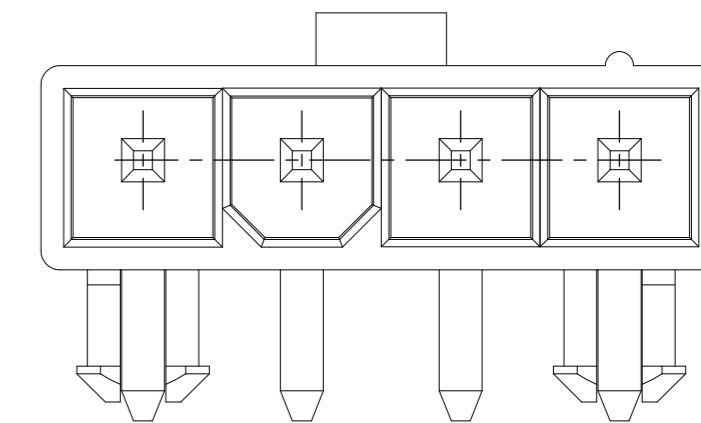


RECOMMENDED MOUNTING HOLE PATTERN FOR  
 1.78 [.070] MAX THK P.C. BOARD

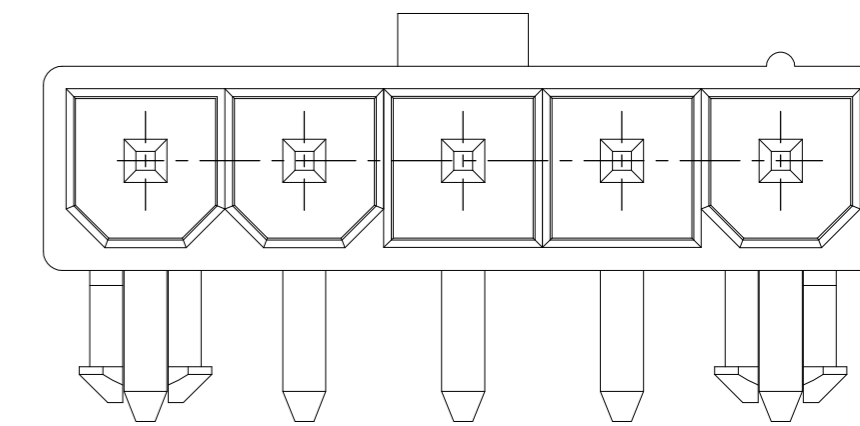


SECTION A-A

- 1 MATERIAL: HOUSING: NYLON 66 GF20, UL94V-0, NATURAL  
 CONTACTS: BRASS, TIN-PLATED
- 2. GLOW WIRE APPROVED, CONTACT TYCO ELECTRONICS  
 PRODUCT ENGINEERING FOR SPECIFICATION.



2029154-4 MATING FACE



2029154-5 MATING FACE

2029154-3 SHOWN

5	16.8 [.661]	22.2 [.874]	2029154-5
4	12.6 [.496]	18 [.709]	2029154-4
3	8.4 [.330]	13.8 [.543]	2029154-3
POS	B	A	PART NUMBER

THIS DRAWING IS A CONTROLLED DOCUMENT.		DWN	14OCT2008	<b>TE</b> TE Connectivity	
		CHK	14OCT2008		
DIMENSIONS: mm [INCHES]		TOLERANCES UNLESS OTHERWISE SPECIFIED:		NAME	
0 PLC ±		1 PLC ± 0.13 [.005]		RIGHT ANGLE HEADER, WITH PEGS VAL-U-LOK(TM)	
1 PLC ± 0.13 [.005]		2 PLC ± 0.13 [.005]		SIZE	
2 PLC ± 0.13 [.005]		3 PLC ± -		CAGE CODE	
3 PLC ± -		4 PLC ± -		DRAWING NO	
4 PLC ± -		ANGLES ±		RESTRICTED TO	
FINISH		FINISH		SCALE	
MATERIAL		WEIGHT		SHEET	
1		1		1 of 1	
CUSTOMER DRAWING		SCALE N/A		REV B	