

MATERIALS AND FINISHES

BODY REAR BRASS  
PLATED TIN

BODY FRONT BRASS  
PLATED NICKEL

CENTER CONTACT PHOSPHOR BRONZE/BRASS  
PLATED GOLD

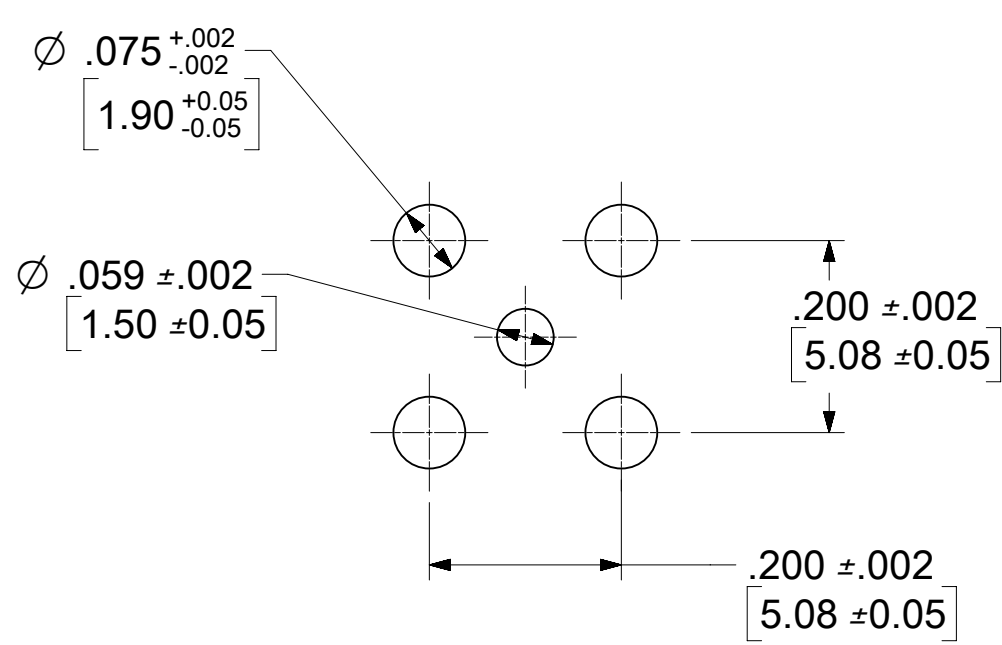
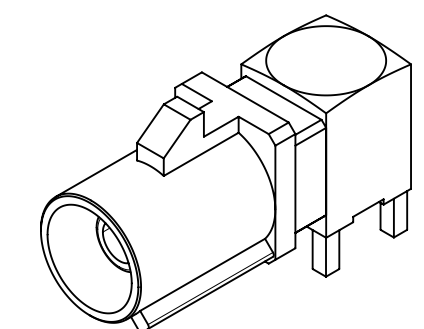
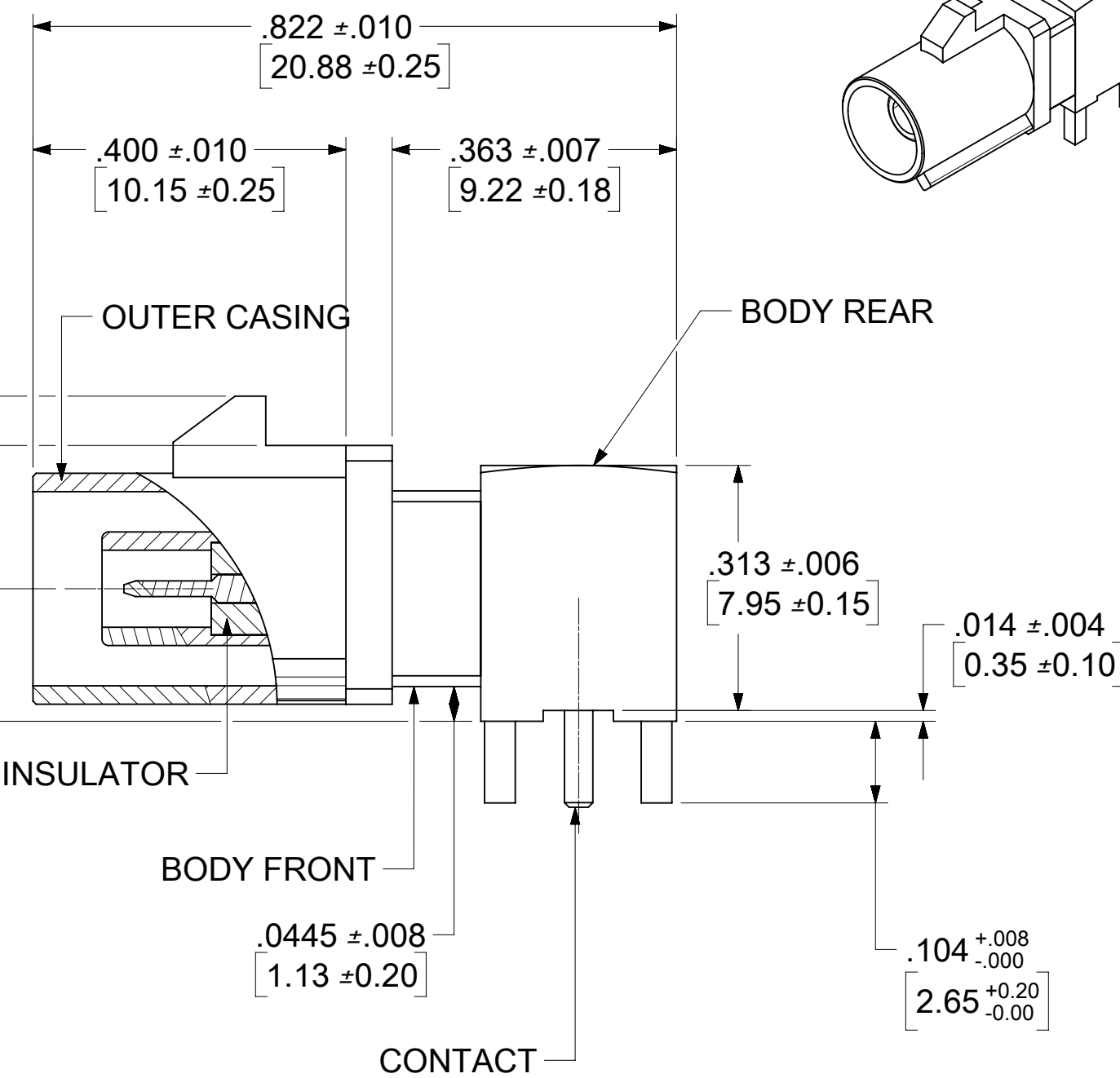
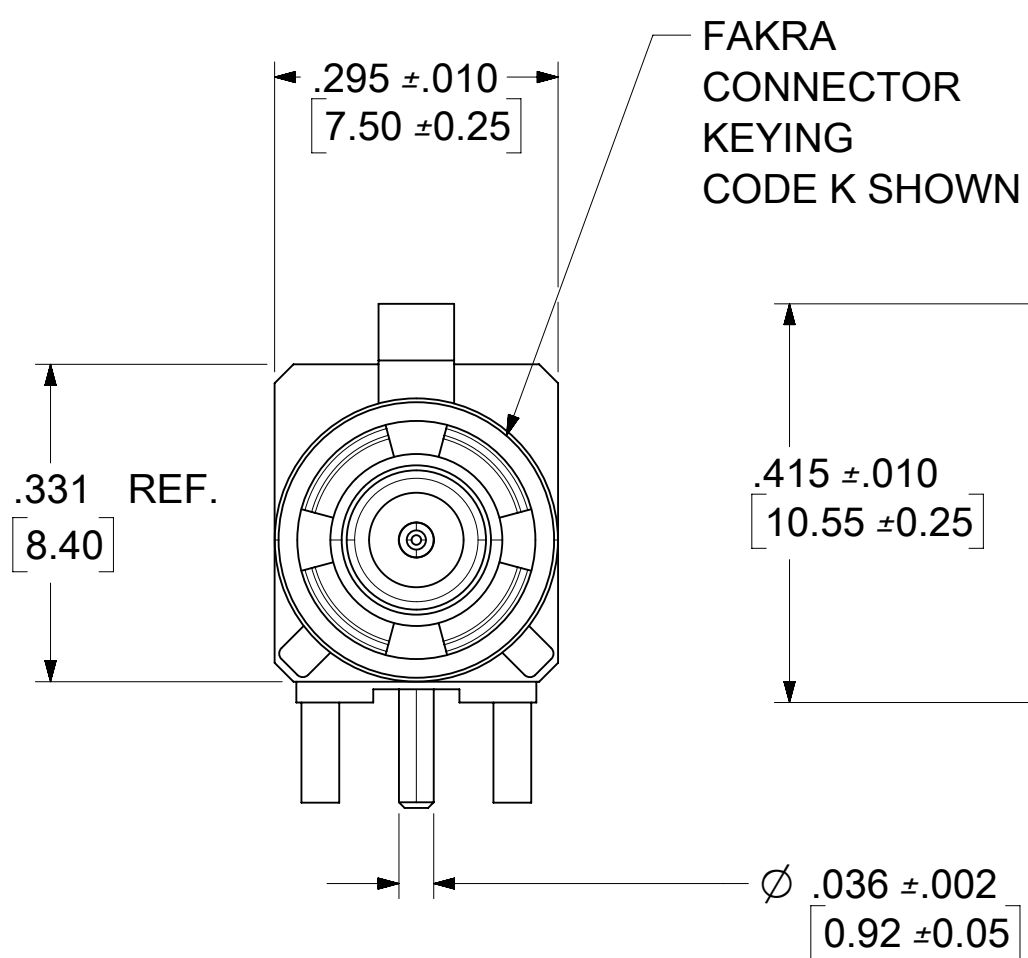
OUTER CASING HIGH TEMPERATURE PLASTIC  
KEYING SEE TABLE  
COLOR SEE TABLE

INSULATOR TEFLON

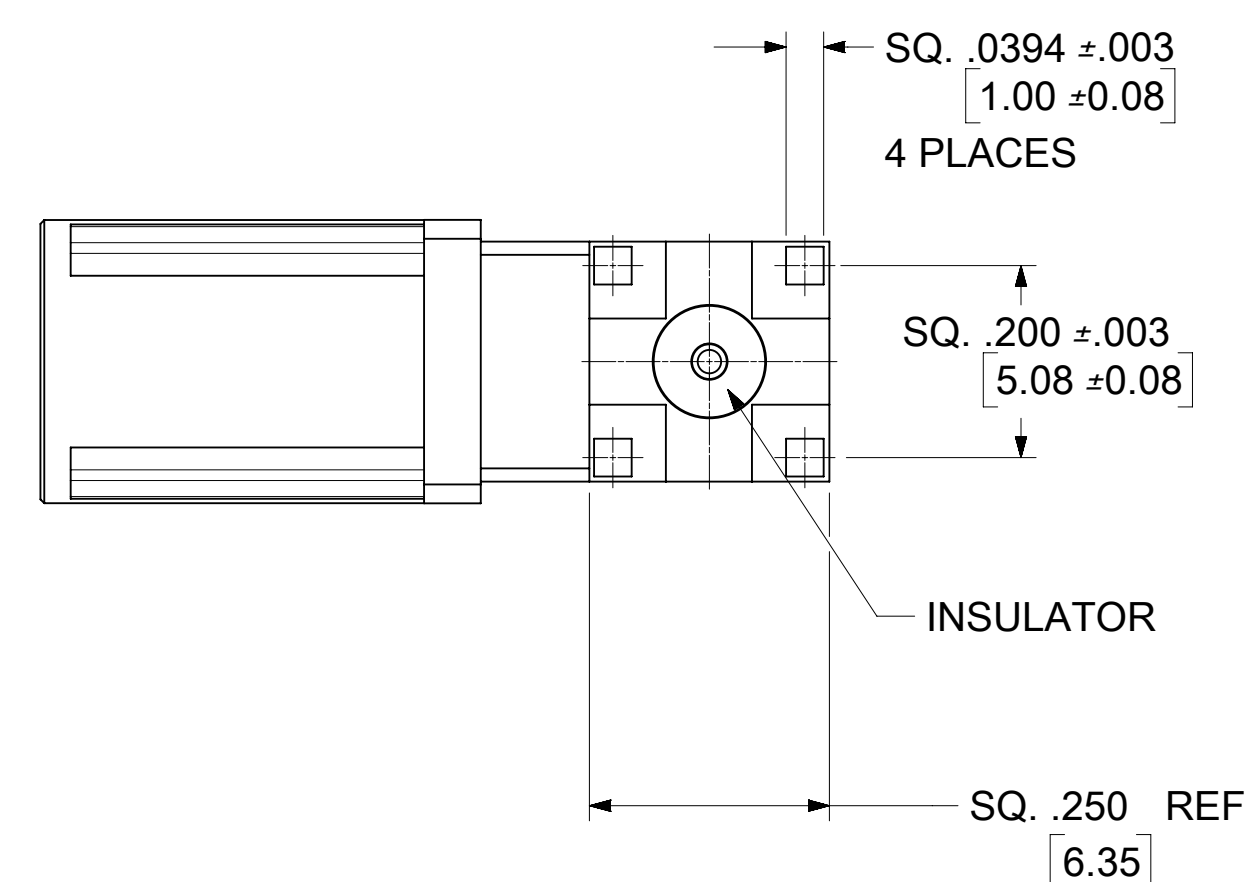
PACKAGING BY TRAY

RETENTION SPECIFICATION

THE FAKRA CONNECTOR SHROUD WILL WITHSTAND  
A LONGITUDINAL FORCE OF 110 N (24.75 LBS)



RECOMMENDED PCB LAYOUT



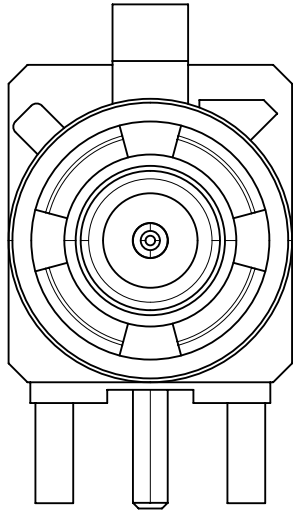
PS-89675-3310	PRODUCT SPECIFICATION
MIL-STD-348A, FIG. 311.1	INTERFACE SPECIFICATION
SPECIFICATION	DESCRIPTION

2018/03/19	A7	REDRAWN AND ADDED DIM. PER 11863
2017/01/05	A6	REDRAWN
DATE	REV.	DESCRIPTION

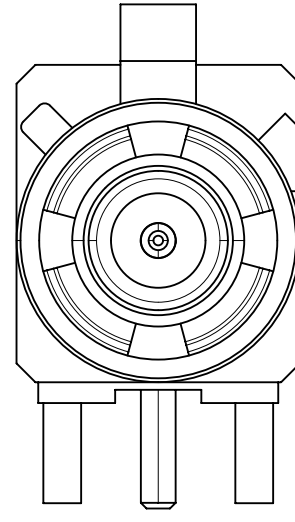
DOCUMENT STATUS	P1	RELEASE DATE	2018/03/23 02:05:33
-----------------	----	--------------	---------------------

SYMBOLS				THIS DRAWING CONTAINS INFORMATION THAT IS PROPRIETARY TO MOLEX ELECTRONIC TECHNOLOGIES, LLC AND SHOULD NOT BE USED WITHOUT WRITTEN PERMISSION			
▽ = 0	HYBRID	SCALE	5:1	CURRENT REV DESC:			
▽ = 0	GENERAL TOLERANCES (UNLESS SPECIFIED)			EC NO: 173804			
▽ = 0	ANGULAR TOL ± 2.0°			DRWN: ELIN 2018/03/19			
▽ = 0	4 PLACES	±		CHK'D: YCHENG 2018/03/23			
▽ = 0	3 PLACES	±		APPR: YCHENG 2018/03/23			
▽ = 0	2 PLACES	±		INITIAL REVISION:			
▽ = 0	1 PLACE	±		DRWN: SCHOU 2009/01/21			
▽ = 0	0 PLACES	±		APPR: MHUANG 2009/01/23			
▽ = 0	DRAFT WHERE APPLICABLE MUST REMAIN WITHIN DIMENSIONS			THIRD ANGLE PROJECTION	DRAWING	SERIES	
▽ = 0					C-SIZE	73403	
						SMB JACK, FAKRA R/A PCB, 50 OHMS 11863 SMB-J/PCB/RA	
				PRODUCT CUSTOMER DRAWING			
				DOCUMENT NUMBER		DOC TYPE   DOC PART   REVISION	
				SD-73403-511		PSD 001 A7	
				MATERIAL NUMBER		CUSTOMER	
				GENERAL MARKET		SHEET NUMBER	
						1 OF 2	

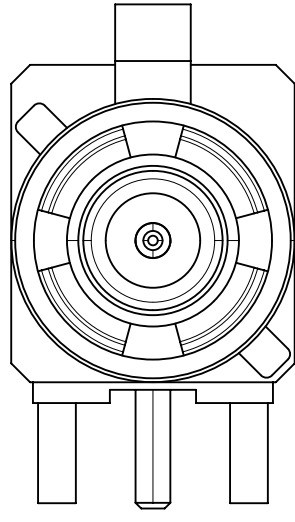
N	PASTEL GREEN	73403-5123
M	PASTEL ORANGE	73403-5122
L	CARMINE RED	73403-5121
Z	WATER BLUE	73403-5120
K	CURRY YELLOW	73403-5119
I	BEIGN	73403-5118
H	VIOLET	73403-5117
G	GRAY	73403-5116
F	BROWN	73403-5115
E	GREEN	73403-5114
D	BORDEAUXVILOET	73403-5113
C	BLUE	73403-5112
B	SINGLE WHITE	73403-5111
A	BLACK	73403-5110
KEYING CODE	COLOR	PART NO.



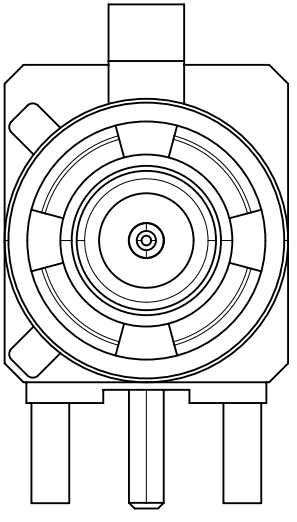
CODE A



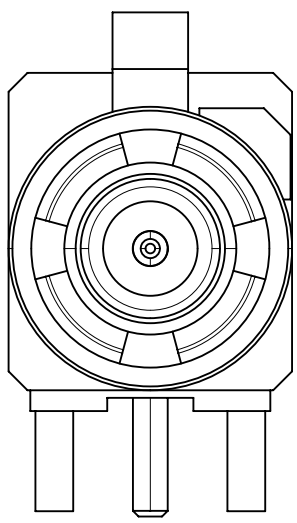
CODE B



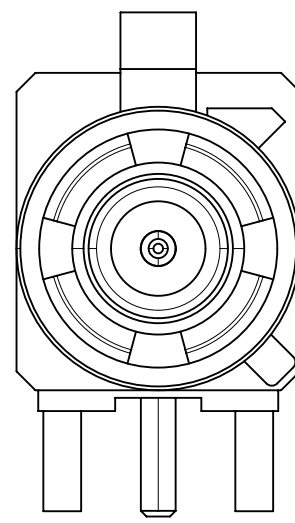
CODE C



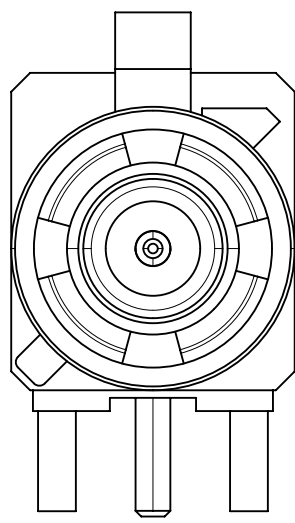
CODE D



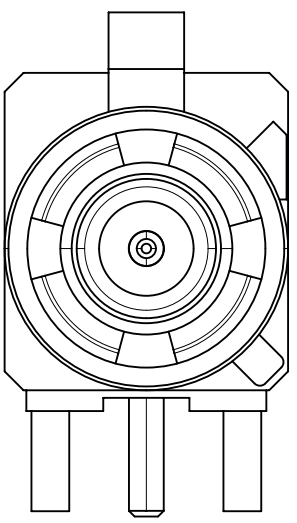
CODE E



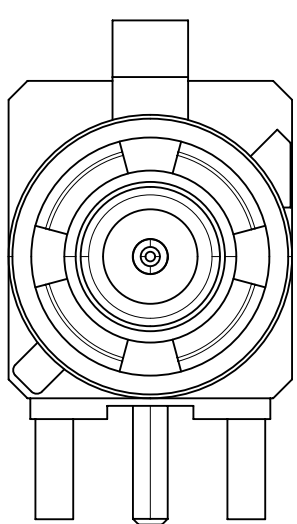
CODE F



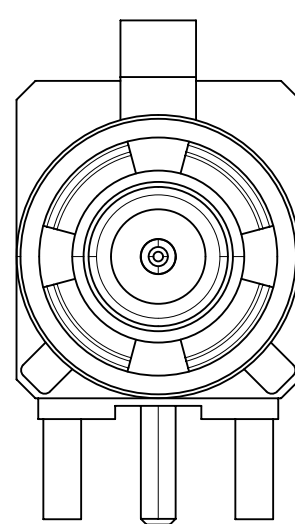
CODE G



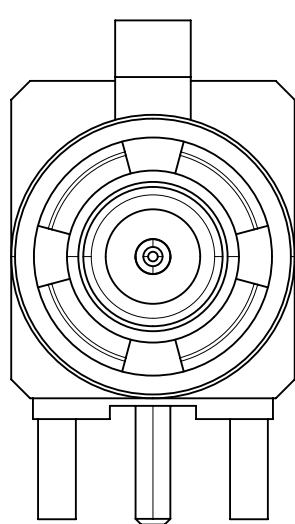
CODE H



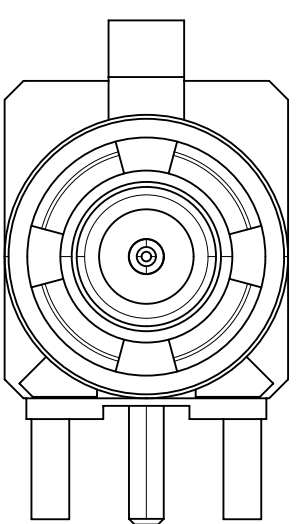
CODE I



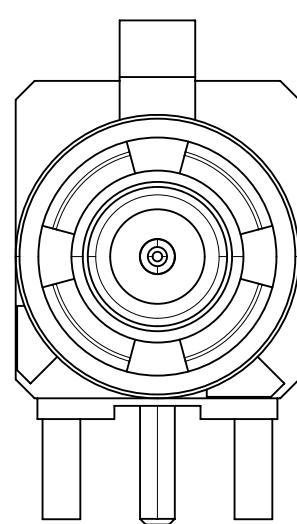
CODE K



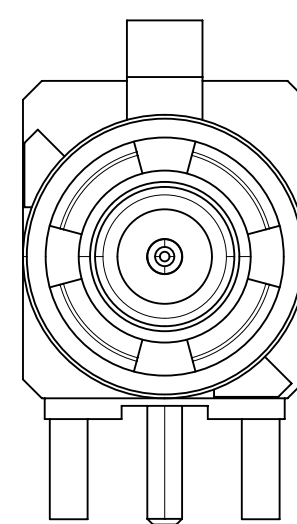
CODE Z



CODE L



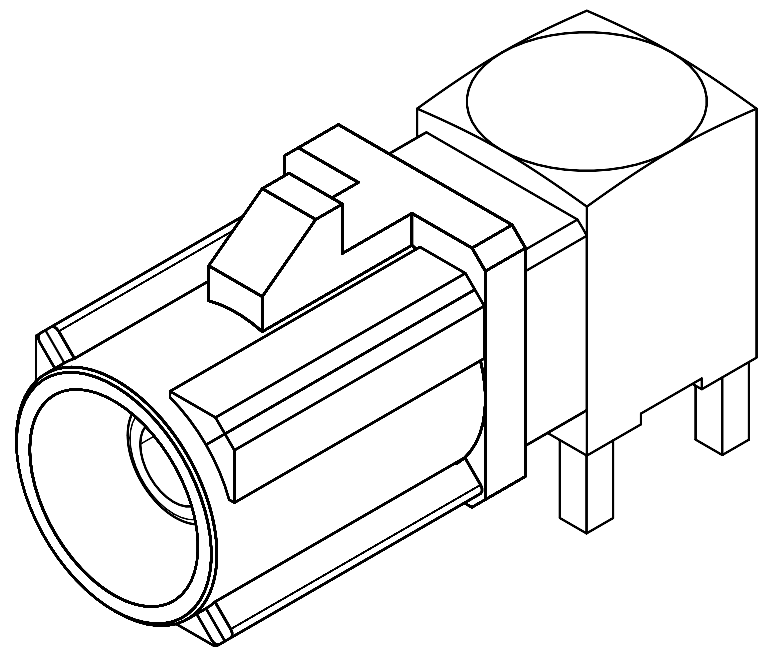
CODE M



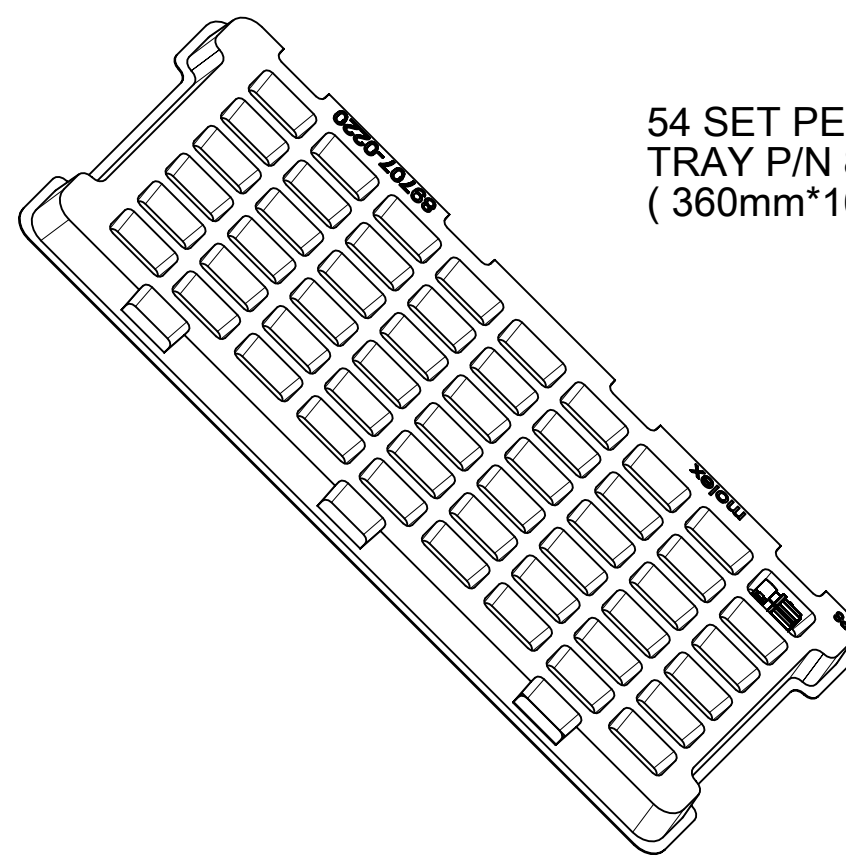
CODE N

<b>SYMBOLS</b> 	THIS DRAWING CONTAINS INFORMATION THAT IS PROPRIETARY TO MOLEX ELECTRONIC TECHNOLOGIES, LLC AND SHOULD NOT BE USED WITHOUT WRITTEN PERMISSION			
	DIMENSION UNITS	SCALE	CURRENT REV DESC:	
	HYBRID	5:1		
	GENERAL TOLERANCES (UNLESS SPECIFIED)			
	ANGULAR TOL	± 2.0°	EC NO: 173804	
	4 PLACES	±	DRWN: ELIN 2018/03/19	
	3 PLACES	±	CHK'D: YCHENG 2018/03/23	
	2 PLACES	±	APPR: YCHENG 2018/03/23	
	1 PLACE	±	INITIAL REVISION:	
	0 PLACES	±	DRWN: SCHOU 2009/01/21	
DRAFT WHERE APPLICABLE MUST REMAIN WITHIN DIMENSIONS				
THIRD ANGLE PROJECTION	DRAWING	SERIES		
	C-SIZE	73403		
DOCUMENT NUMBER		DOC TYPE	DOC PART	REVISION
SD-73403-511		PSD	001	A7
MATERIAL NUMBER		CUSTOMER	SHEET NUMBER	
		GENERAL MARKET	2 OF 2	

PN 73403-511X

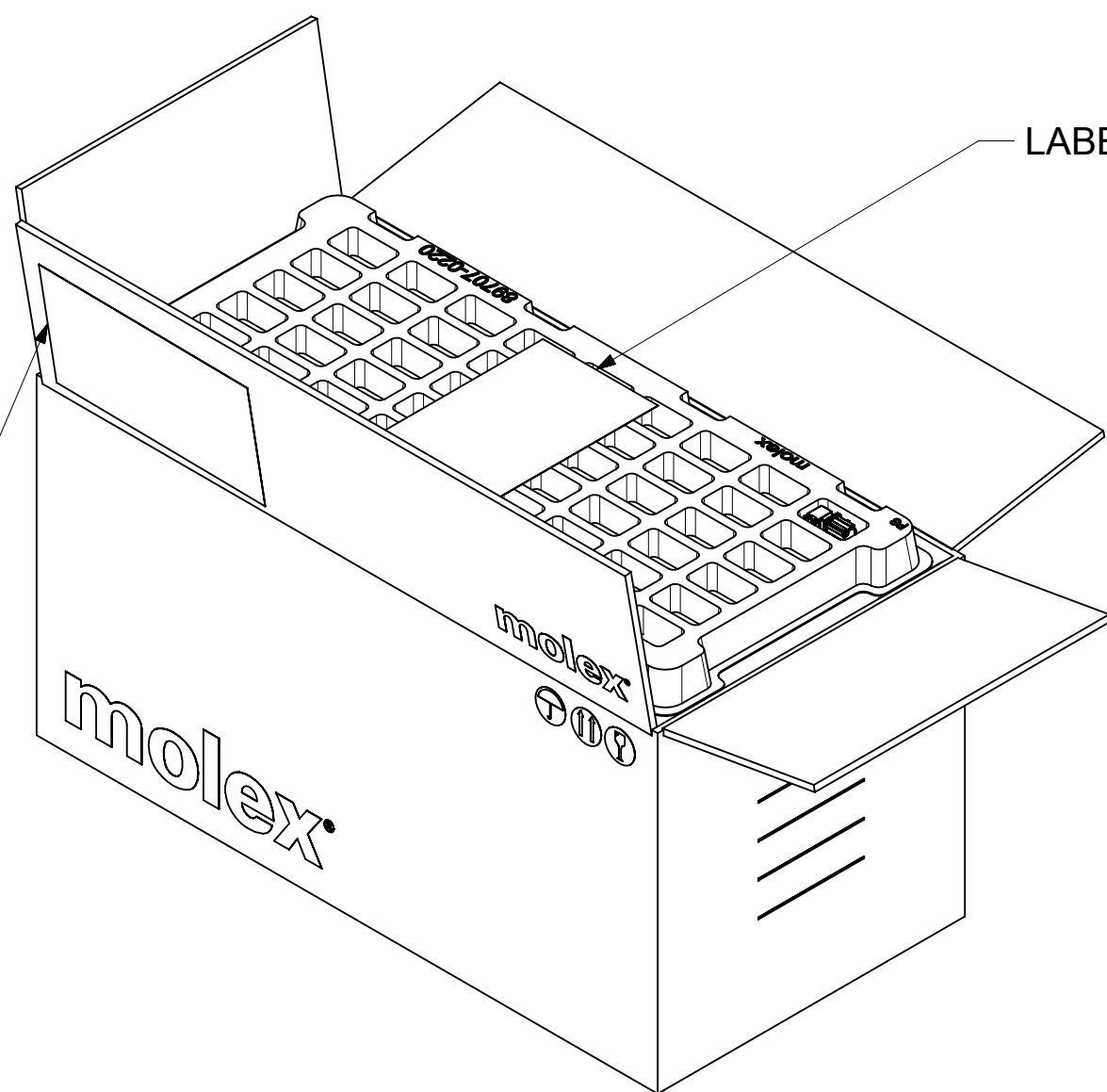


54 SET PER TRAY  
TRAY P/N 89707-0220  
( 360mm\*165mm )



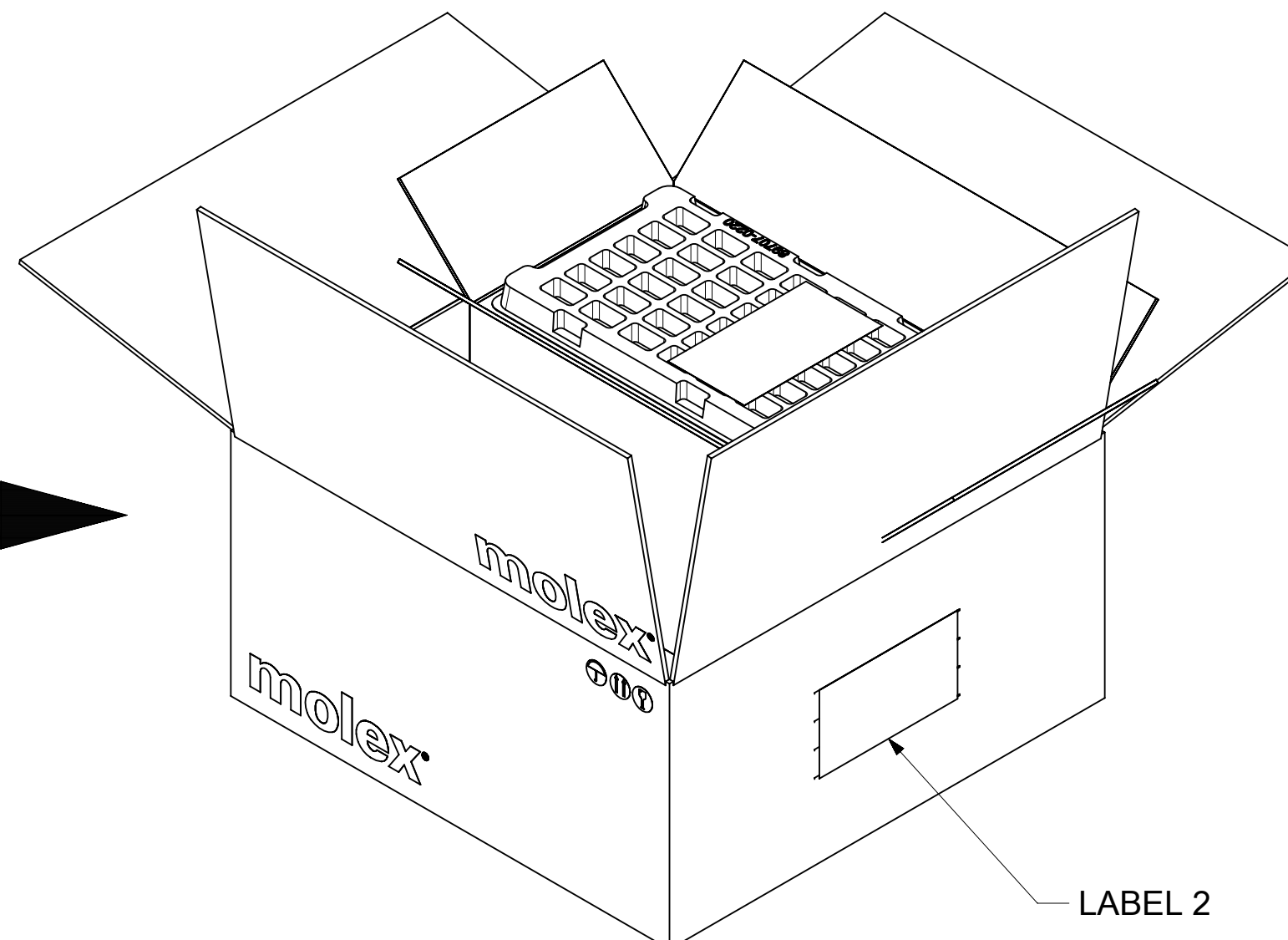
540 SET PER INNER  
CARTON BOX  
P/N 96707-0001

LABEL 1



1080 SET PER OUTER  
CARTON BOX  
P/N 96708-0005

LABEL 1



FUNCTIONAL SYMBOLS	THIS DRAWING CONTAINS INFORMATION THAT IS PROPRIETARY TO MOLEX ELECTRONIC TECHNOLOGIES, LLC AND SHOULD NOT BE USED WITHOUT WRITTEN PERMISSION										
	DIMENSION UNITS	SCALE	CURRENT REV DESC:							<b>molex</b>	
$\nabla_A = 0$	HYBRID	1:1	EWR # 14835-A ADDED LENGTH AND WIDTH OF TRAY ON DRAWING								
$\nabla_E = 0$	GENERAL TOLERANCES (UNLESS SPECIFIED)		EC NO: 683284							PRODUCT CUSTOMER DRAWING	
$\nabla_P = 0$	ANGULAR TOL $\pm 2.0^\circ$		4 PLACES $\pm$				DRWN: JSU18 2021/10/29			DOCUMENT NUMBER	
DIVISIONAL SYMBOLS	3 PLACES $\pm$		3 PLACES $\pm$				CHK'D: YCHENG 2021/10/29			DOC TYPE	
	2 PLACES $\pm$		2 PLACES $\pm$				APPR: YCHENG 2021/10/29			DOC PART	
	1 PLACE $\pm$		1 PLACE $\pm$				INITIAL REVISION:			REVISION	
	0 PLACES $\pm$		0 PLACES $\pm$				DRWN: SCHOU 2009/05/12			SD-73403-511-PKG	
	DRAFT WHERE APPLICABLE MUST REMAIN WITHIN DIMENSIONS		THIRD ANGLE PROJECTION		DRAWING		SERIES		MATERIAL NUMBER		
					C-SIZE		73403		CUSTOMER		
									GENERAL MARKET		
									SHEET NUMBER		
									1 OF 2		

LABEL 1

(1P) PART NUMBER	XXXXXXXXXXXX	(9D) DATE CODE	YYWW
DESCRIPTION	SMB JACK FAKRA R/A PCB 50 OHM		
(Q) QUANTITY	540	 www.molex.com	
(4L) COUNTRY OF ORIGIN	Taiwan		
(12D) INV CTRL DATE	YYYY/MM/DD		
(1T) TRACEABILITY	XXXXXXXXXXXX		
RoHS Compliant with Exemption REACH SVHC information - see www.molex.com		Low-Halogen	
1 of 1	OPERATOR:	17.11.23	

MOLEX TAIWAN LTD. / DANSHUI, NEW TAIPEI CITY, TAIWAN 25144

LABEL 2

(1P) PART NUMBER	XXXXXXXXXXXX	(9D) DATE CODE	YYWW
DESCRIPTION	SMB JACK FAKRA R/A PCB 50 OHM		
(Q) QUANTITY	1080	 www.molex.com	
(4L) COUNTRY OF ORIGIN	Taiwan		
(12D) INV CTRL DATE	YYYY/MM/DD		
(1T) TRACEABILITY	XXXXXXXXXXXX		
RoHS Compliant with Exemption REACH SVHC information - see www.molex.com		Low-Halogen	
1 of 1	OPERATOR:	17.11.23	

MOLEX TAIWAN LTD. / DANSHUI, NEW TAIPEI CITY, TAIWAN 25144

FUNCTIONAL SYMBOLS	THIS DRAWING CONTAINS INFORMATION THAT IS PROPRIETARY TO MOLEX ELECTRONIC TECHNOLOGIES, LLC AND SHOULD NOT BE USED WITHOUT WRITTEN PERMISSION		
	DIMENSION UNITS	SCALE	CURRENT REV DESC:
	HYBRID	1:1	EWR # 14835-A ADDED LENGTH AND WIDTH OF TRAY ON DRAWING  EC NO: 683284 DRWN: JSU18 2021/10/29 CHK'D: YCHENG 2021/10/29 APPR: YCHENG 2021/10/29
	GENERAL TOLERANCES (UNLESS SPECIFIED)		
	ANGULAR TOL ± 2.0°		INITIAL REVISION: DRWN: SCHOU 2009/05/12 APPR: MHUANG 2009/05/19
DIVISIONAL SYMBOLS	4 PLACES ±		
	3 PLACES ±		DOCUMENT NUMBER SD-73403-511-PKG DOC TYPE PSD DOC PART 001 REVISION B1
	2 PLACES ±		
	1 PLACE ±		MATERIAL NUMBER CUSTOMER GENERAL MARKET SHEET NUMBER 2 OF 2
	0 PLACES ±		
DRAFT WHERE APPLICABLE MUST REMAIN WITHIN DIMENSIONS		THIRD ANGLE PROJECTION	DRAWING C-SIZE
		SERIES 73403	

**molex**

PACKAGING FOR 73403-511X

PRODUCT CUSTOMER DRAWING

MATERIALS AND FINISHES

BODY BRASS  
PLATED NICKEL

HOUSING BRASS  
PLATED TIN

CENTER CONTACT PHOSPHOR BRONZE/BRASS  
PLATED GOLD

OUTER CASING HIGH TEMPERATURE PLASTIC  
KEYING SEE TABLE  
COLOR SEE TABLE

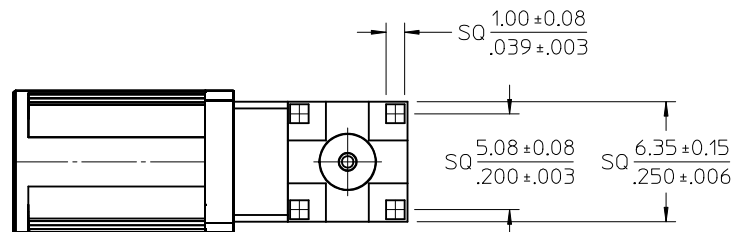
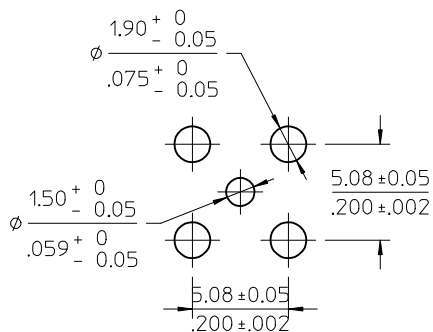
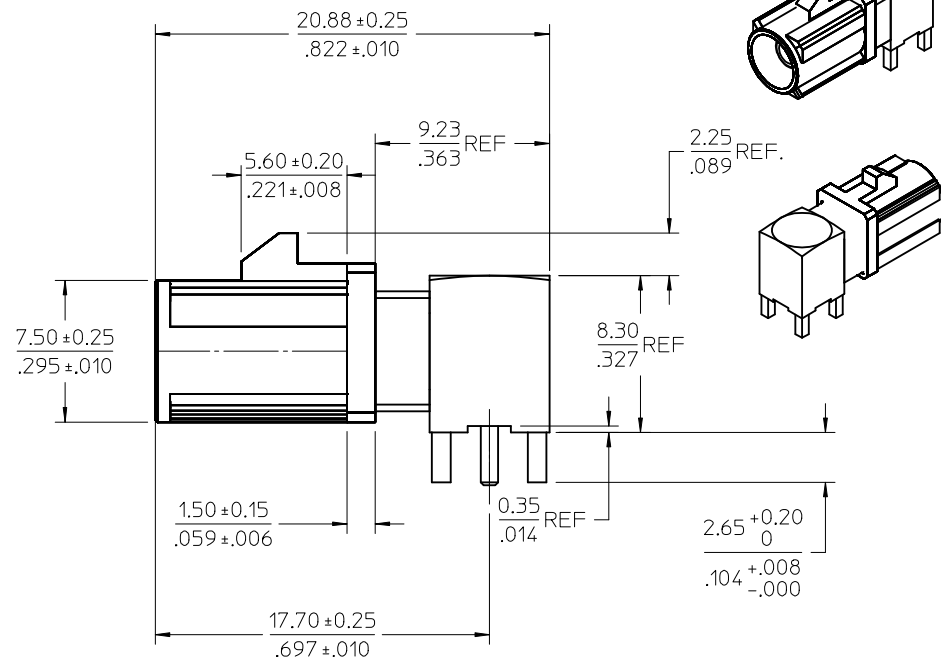
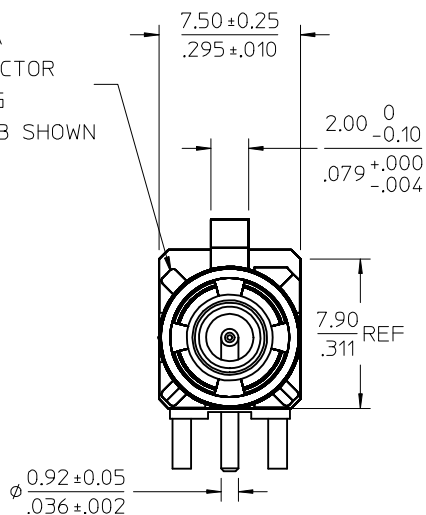
INSULATOR TEFLON

PACKAGING BY TAPE AND REEL

RETENTION SPECIFICATION

THE FAKRA CONNECTOR SHROUD WILL WITHSTAND  
A LONGITUDINAL FORCE OF 110 N (24.75 LBS)

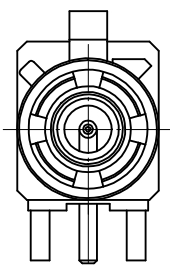
FAKRA  
CONNECTOR  
KEYING  
CODE B SHOWN



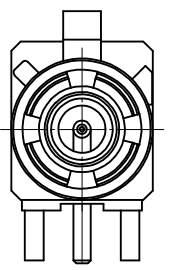
PS-89675-3310	PRODUCT SPECIFICATION
MIL-STD-348A, FIG. 311.1	INTERFACE SPECIFICATION
SPECIFICATION	DESCRIPTION

RTM PDR15092069 PDR13091433 EC NO: URF2016-0255 DRWNLIN 2013/09/24 CHKD: APPR: YCHENG 2015/10/13 DESCRIPTION	QUALITY SYMBOLS	GENERAL TOLERANCES (UNLESS SPECIFIED)	DIMENSION STYLE	SCALE	DESIGN UNITS	THIRD ANGLE PROJECTION
	$\nabla = 0$ $\nabla = 0$ $\nabla = 0$	mm INCH 4 PLACES ± --- ± --- 3 PLACES ± --- ± --- 2 PLACES ± --- ± --- 1 PLACE ± --- ± --- 0 PLACE ± --- ± ---	MM/IN	1:1	METRIC	TITLE SMB JACK, FAKRA,R/A PCB 50 OHMS T&R SMB-J/PCB/RA
	DRAWN BY EL IN CHECKED BY JOANNE APPROVED BY YCHENG	DATE 2013/09/24 DATE 2013/09/24 DATE 2015/10/13	ANGULAR ± 2 ° DRAFT WHERE APPLICABLE MUST REMAIN WITHIN DIMENSIONS	MATERIAL NO. SEE SHEET 2	DOCUMENT NO. SD-73403-650	SHEET NO. 1 OF 5
	SIZE C	THIS DRAWING CONTAINS INFORMATION THAT IS PROPRIETARY TO MOLEX INCORPORATED AND SHOULD NOT BE USED WITHOUT WRITTEN PERMISSION				

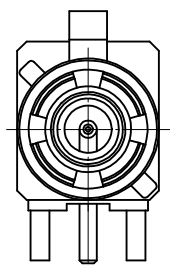
13 12 11 10 9 8 7 6 5 4 3 2 1



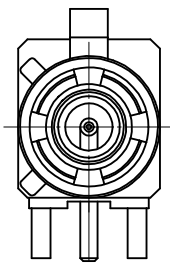
CODE-A



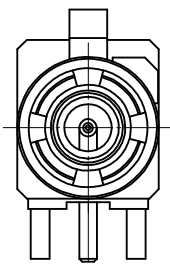
CODE-B



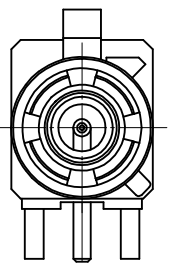
CODE-C



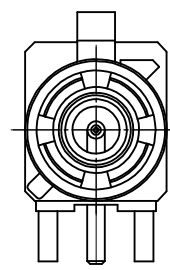
CODE-D



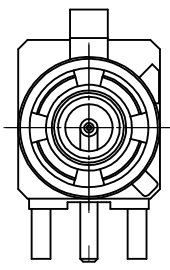
CODE-E



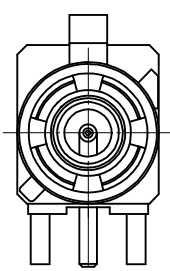
CODE-F



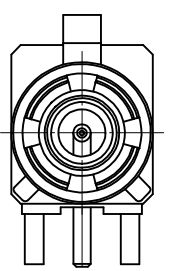
CODE-G



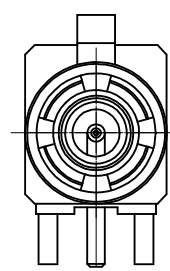
CODE-H



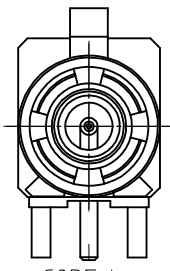
CODE-I



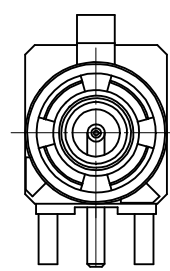
CODE-K



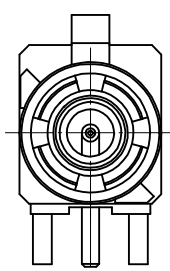
CODE-Z



CODE-L



CODE-M

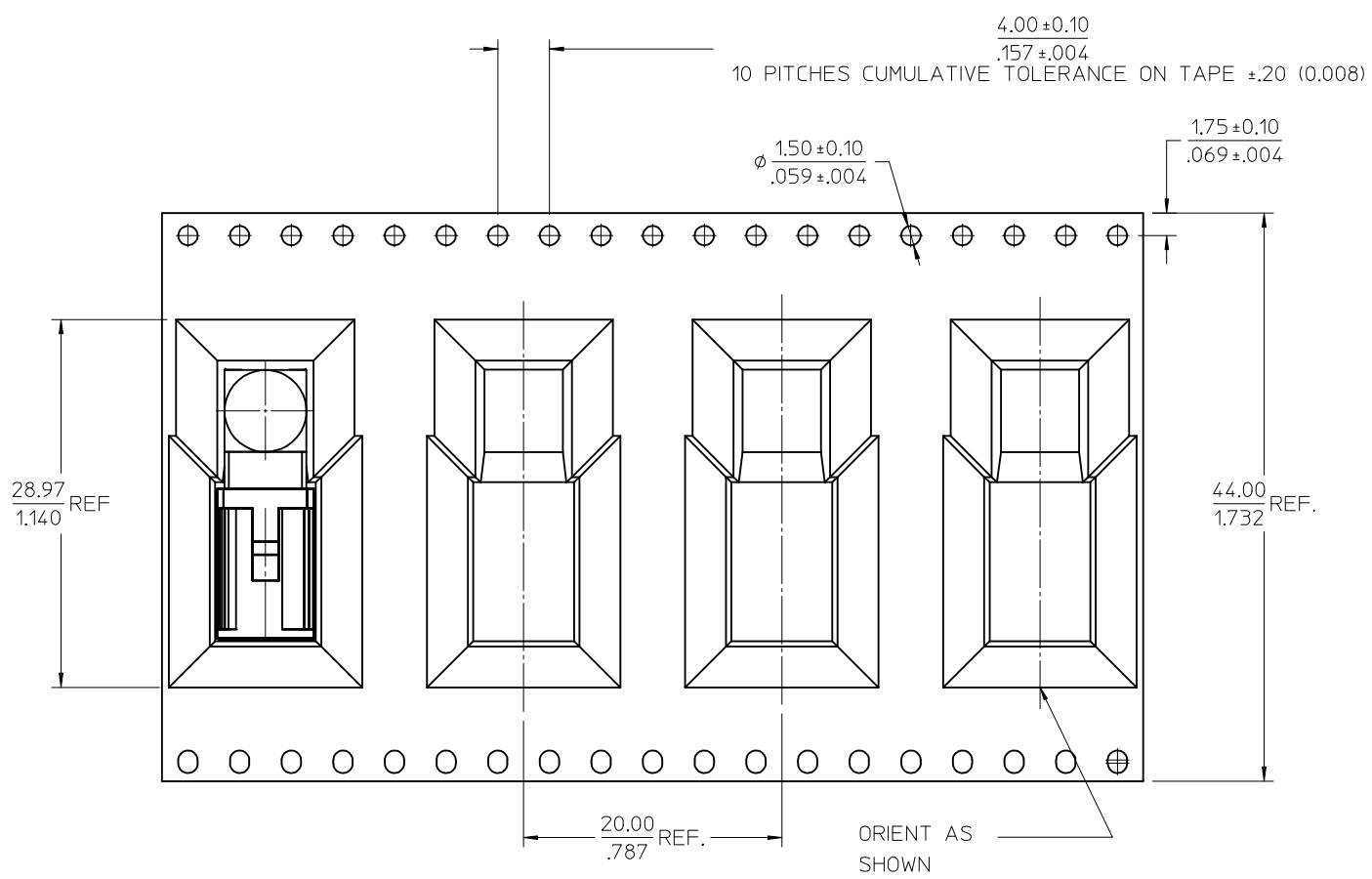


CODE-N

N	PASTEL GREEN	73403-6513
M	PASTEL ORANGE	73403-6512
L	CARMINE RED	73403-6511
Z	WATER BLUE	73403-6510
K	CURRY YELLOW	73403-6509
I	BEIGE	73403-6508
H	VIOLET	73403-6507
G	GRAY	73403-6506
F	BROWN	73403-6505
E	GREEN	73403-6504
D	BORDEAUXVIOLET	73403-6503
C	BLUE	73403-6502
B	NATURAL	73403-6501
A	BLACK	73403-6500
KEYING CODE	COLOR	PART NO.

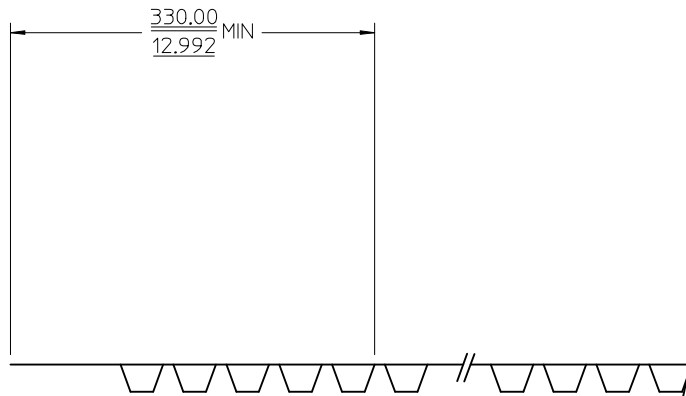
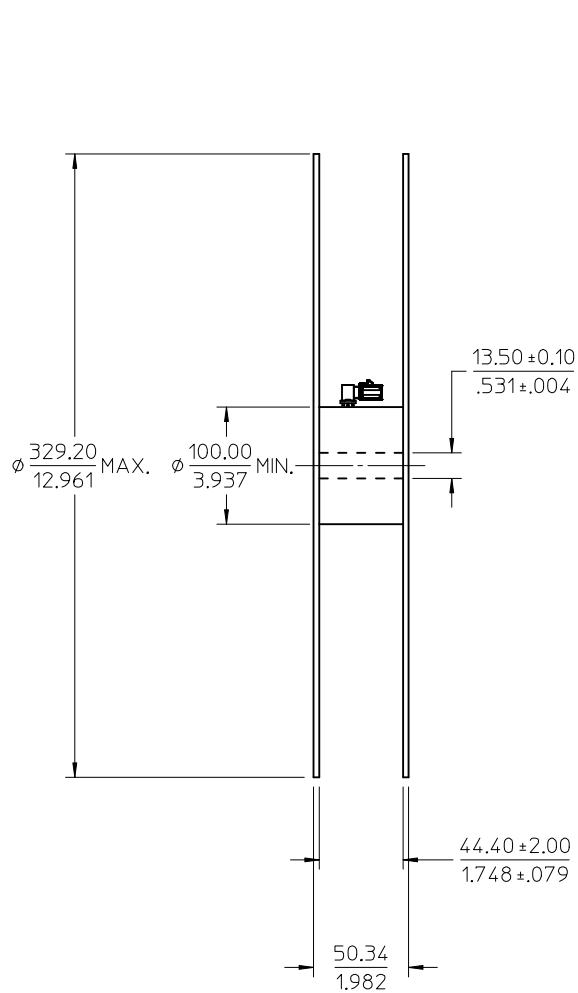
<b>SEE SHEET 1</b> EC NO: URF2016-0255 DRW:INLIN 2013/09/24 CHKD: APPR:YCHENG 2015/10/13	QUALITY SYMBOLS = 0 = 0 = 0	GENERAL TOLERANCES (UNLESS SPECIFIED) <table border="1"> <tr><th></th><th>mm</th><th>INCH</th></tr> <tr><td>4 PLACES</td><td>± .005</td><td>± .0004</td></tr> <tr><td>3 PLACES</td><td>± .005</td><td>± .0004</td></tr> <tr><td>2 PLACES</td><td>± .005</td><td>± .0004</td></tr> <tr><td>1 PLACE</td><td>± .005</td><td>± .0004</td></tr> <tr><td>0 PLACE</td><td>± .005</td><td>± .0004</td></tr> </table>		mm	INCH	4 PLACES	± .005	± .0004	3 PLACES	± .005	± .0004	2 PLACES	± .005	± .0004	1 PLACE	± .005	± .0004	0 PLACE	± .005	± .0004	DIMENSION STYLE <b>MM/IN</b> DRAWN BY DATE EL IN 2013/09/24 CHECKED BY DATE JOANNE 2013/09/24 APPROVED BY DATE YCHENG 2015/10/13	SCALE <b>1:1</b> DESIGN UNITS <b>METRIC</b> THIRD ANGLE PROJECTION	TITLE <b>SMB JACK, FAKRA,R/A          PCB 50 OHMS T&amp;R          SMB-J/PCB/RA</b> <b>molex</b>	MATERIAL NO. <b>SEE TABLE</b> DOCUMENT NO. <b>SD-73403-650</b>	SHEET NO. <b>2 OF 5</b>
		mm	INCH																						
	4 PLACES	± .005	± .0004																						
	3 PLACES	± .005	± .0004																						
2 PLACES	± .005	± .0004																							
1 PLACE	± .005	± .0004																							
0 PLACE	± .005	± .0004																							
ANGULAR ± 2° DRAFT WHERE APPLICABLE MUST REMAIN WITHIN DIMENSIONS		SIZE <b>C</b>		THIS DRAWING CONTAINS INFORMATION THAT IS PROPRIETARY TO MOLEX INCORPORATED AND SHOULD NOT BE USED WITHOUT WRITTEN PERMISSION																					

12 11 10 9 8 7 6 5 4 3 2 1

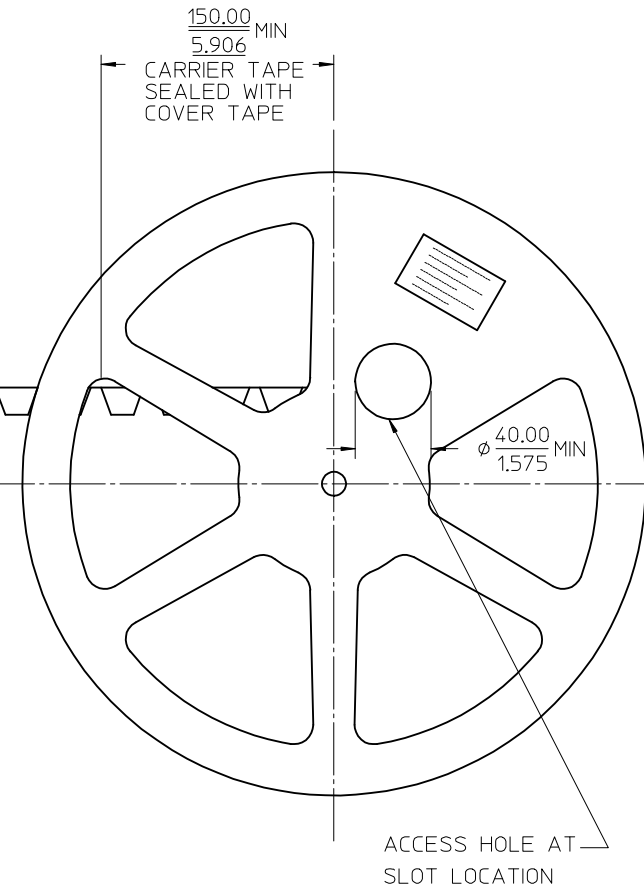


NOTES:  
1. 250 CONNECTORS PER REEL ON 330.2 mm (13.0 IN) REEL

SEE SHEET 1 EC NO: URF2016-0255 DRWNLN 2013/09/24 CHKD: APPR: YCHENG 2015/10/13	QUALITY SYMBOLS	GENERAL TOLERANCES (UNLESS SPECIFIED)	DIMENSION STYLE	SCALE	DESIGN UNITS	THIRD ANGLE PROJECTION
	▽=0	mm INCH	MM/IN	1:1	METRIC	
	▽=0	4 PLACES ± --- ± ---	DRAWN BY DATE	SMB JACK, FAKRA,R/A PCB 50 OHMS T&R SMB-J/PCB/RA <b>molex</b> DOCUMENT NO. SD-73403-650 SHEET NO. 3 OF 5		
	▽=0	3 PLACES ± --- ± ---	CHECKED BY DATE			
▽=0	2 PLACES ± --- ± ---	APPROVED BY DATE				
▽=0	1 PLACE ± --- ± ---	YCHENG 2015/10/13				
REV	DESCRIPTION	ANGULAR ± 2 °	MATERIAL NO.	SEE SHEET 2		
A		DRAFT WHERE APPLICABLE MUST REMAIN WITHIN DIMENSIONS	SIZE C	THIS DRAWING CONTAINS INFORMATION THAT IS PROPRIETARY TO MOLEX INCORPORATED AND SHOULD NOT BE USED WITHOUT WRITTEN PERMISSION		

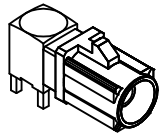


250mm MIN OF CARRIER AND /OR COVER TAPE.  
PLUS 80mm MINIMUM OF CARRIER TAPE SEALED  
WITH COVER TAPE

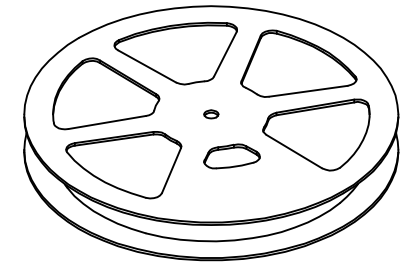
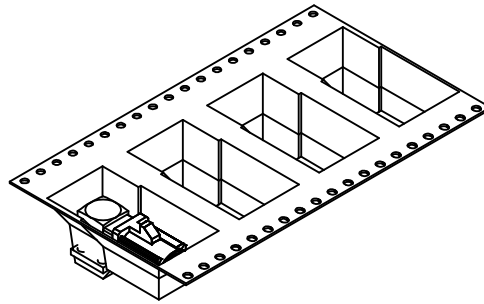


<b>SEE SHEET 1</b> EC NO: URF2016-0255 DRW:ELIN 2013/09/24 CHKD: APPR:YCHENG 2015/10/13	QUALITY SYMBOLS	GENERAL TOLERANCES (UNLESS SPECIFIED)		DIMENSION STYLE	SCALE	DESIGN UNITS	THIRD ANGLE PROJECTION
	▽=0	mm	INCH	MM/IN	1:2	METRIC	
	▽=0	4 PLACES ± --- ± ---	3 PLACES ± --- ± ---	DRAWN BY DATE	TITLE		
	▽=0	2 PLACES ± --- ± ---	1 PLACE ± --- ± ---	EL IN 2013/09/24	SMB JACK, FAKRA,R/A		
REV	DESCRIPTION	ANGULAR ± 2 °		CHECKED BY DATE	DOCUMENT NO.		
A		DRAFT WHERE APPLICABLE MUST REMAIN WITHIN DIMENSIONS		JOANNE 2013/09/24	SD-73403-650		
				APPROVED BY DATE	SHEET NO.		
				YCHENG 2015/10/13	4 OF 5		
				MATERIAL NO.	THIS DRAWING CONTAINS INFORMATION THAT IS PROPRIETARY TO MOLEX INCORPORATED AND SHOULD NOT BE USED WITHOUT WRITTEN PERMISSION		
				SEE SHEET 2			

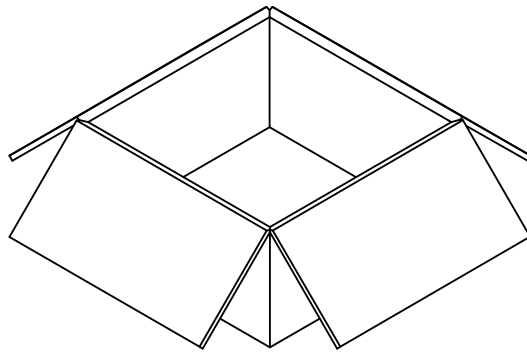




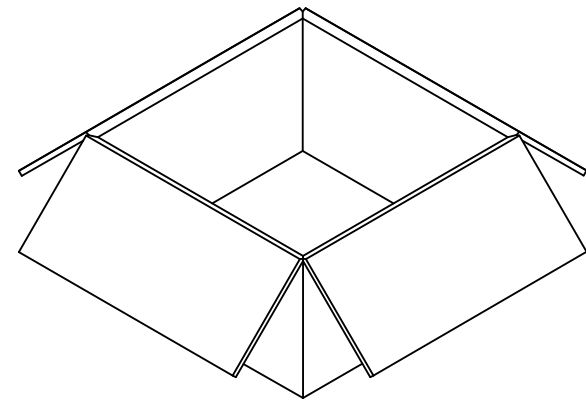
73403-650\*



250 SET PER 13" REEL



1000 SET PER INNER  
CARTON BOX  
343 X 343 X 188 REF.



1000 SET PER OUTER  
CARTON BOX  
394 X 391 X 212 REF.

SEE SHEET 1 EC NO: URF-2016-0255 DRW: ELIN 2013/09/24 CHKD: DRW: ELIN APPR: YCHENG 2015/10/13	QUALITY SYMBOLS	GENERAL TOLERANCES (UNLESS SPECIFIED)		DIMENSION STYLE MM/IN		SCALE 1:1	DESIGN UNITS METRIC	THIRD ANGLE PROJECTION
	▽=0	mm	INCH	DRAWN BY ELIN	DATE 2013/09/24	TITLE SMB JACK, FAKRA,R/A PCB 50 OHMS T&R SMB-J/PCB/RA		
	▽=0	4 PLACES ± ---	± ---	CHECKED BY JOANNE	DATE 2013/09/24	<b>molex</b> DOCUMENT NO. SD-73403-650 SHEET NO. 5 OF 5		
	▽=0	3 PLACES ± ---	± ---	APPROVED BY YCHENG	DATE 2015/10/13			
		1 PLACE ± ---	± ---	MATERIAL NO.		THIS DRAWING CONTAINS INFORMATION THAT IS PROPRIETARY TO MOLEX INCORPORATED AND SHOULD NOT BE USED WITHOUT WRITTEN PERMISSION		
		0 PLACE ± ---	± ---	ANGULAR ± 2 °				
		DRAFT WHERE APPLICABLE MUST REMAIN WITHIN DIMENSIONS		SEE SHEET 2				