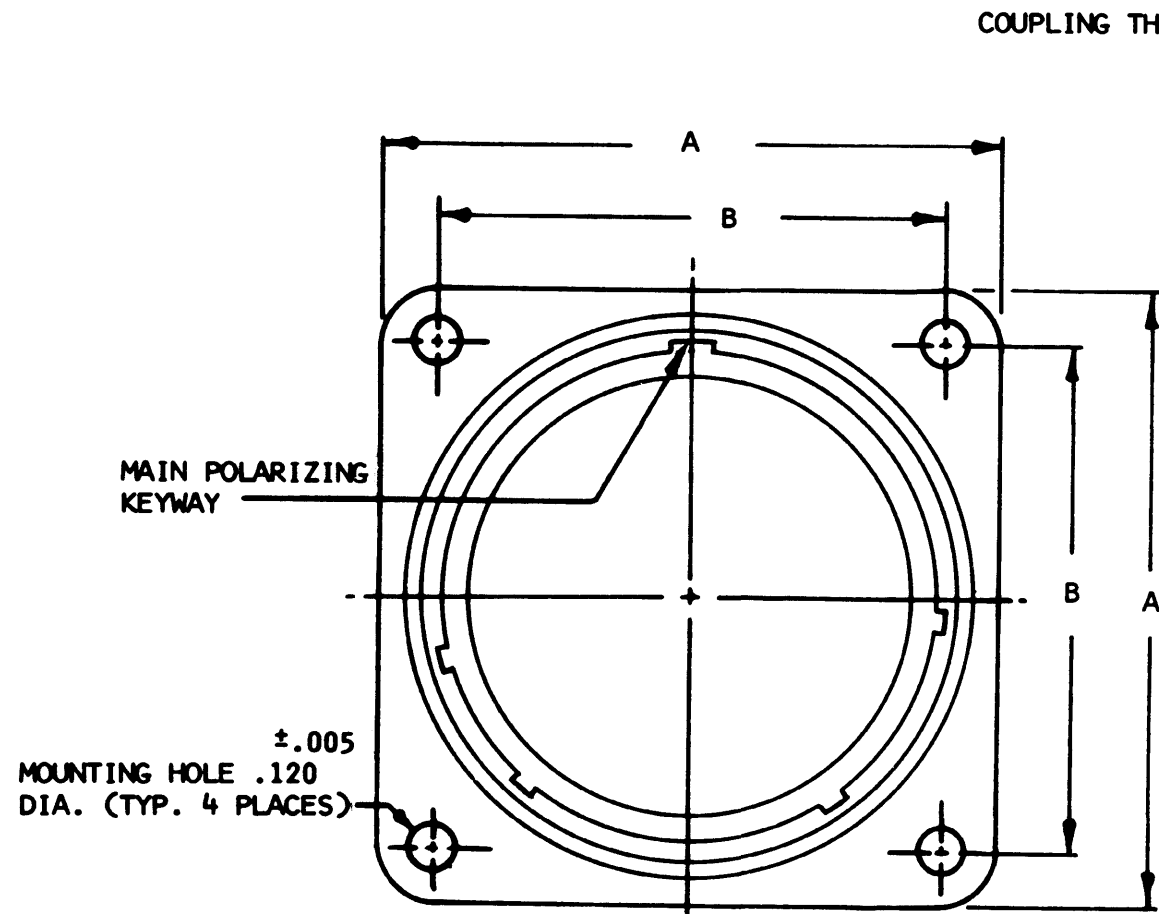


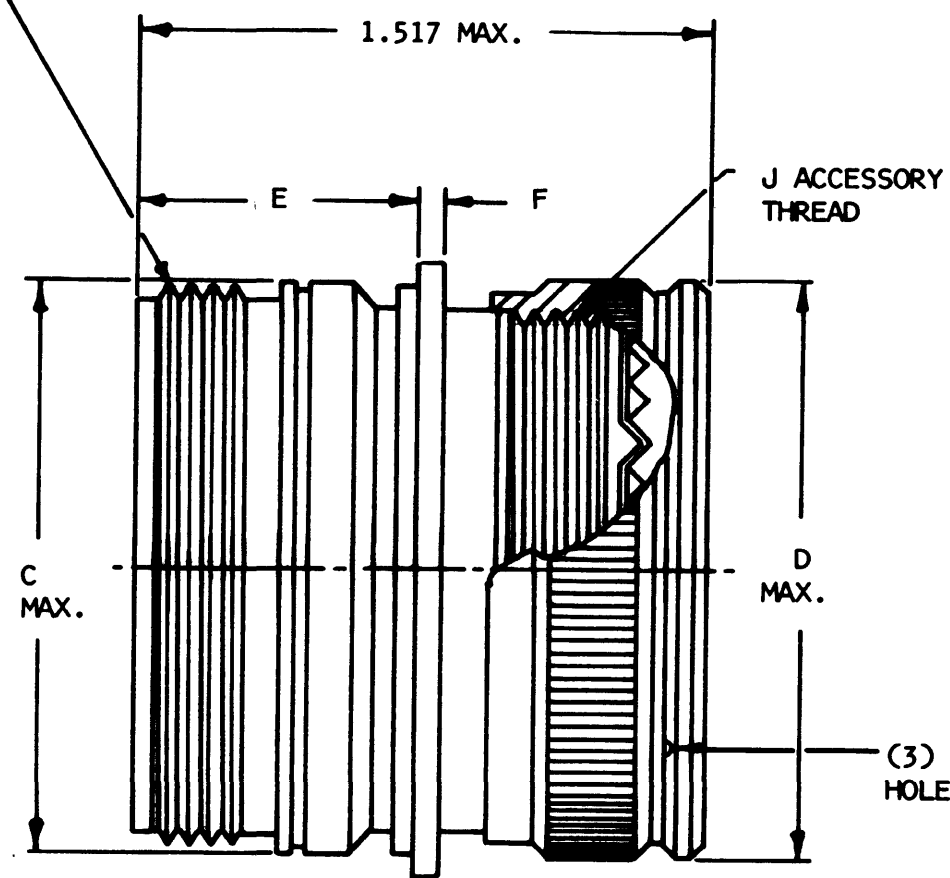
DBA 30-\*P/S\*

REVISIONS

SYM	DESCRIPTION	DATE	APPROVED
F	REVISED PER E.O. 91517	3-9-83	T. Holt



COUPLING THD. H



PART NO'S.	A±.005	B±.005	C MAX.	D MAX.	E±.010	F±.010	H THREAD	J THREAD	WEIGHT IN LBS.
DBA30- 8-*P/S*	.812	.594	.562	.615	.718	.062	9/16-24 UNEF	1/2-20 UNF	P .0255 S .0265
DBA30-10-*P/S*	.937	.719	.696	.734	.718	.062	11/16-24 UNEF	5/8-24 UNEF	P .0314 S .0346
DBA30-12-*P/S*	1.031	.812	.875	.858	.718	.062	7/8-20 UNEF	3/4-20 UNEF	P .0415 S .0454
DBA30-14-*P/S*	1.125	.906	.936	.984	.718	.062	15/16-20 UNEF	7/8-20 UNEF	P .0501 S .0526
DBA30-16-*P/S*	1.250	.969	1.062	1.112	.718	.062	1 1/16-18 UNEF	1-20 UNEF	P .0623 S .0666
DBA30-18-*P/S*	1.343	1.062	1.187	1.218	.718	.062	1 3/16-18 UNEF	1 1/16-18 UNEF	P .0732 S .0758
DBA30-22-*P/S*	1.562	1.250	1.437	1.468	.718	.062	1 7/16-18 UNEF	1 5/16-18 UNEF	P .1062 S .1154

5. CONNECTOR FINISH: BLACK ANODIZE.
4. CONNECTOR WEIGHTS SHOWN ARE LESS CONTACTS.
3. FOR RECEPTACLE WITH BACKSHELL WITH STRAIGHT STRAIN RELIEF OR 90° STRAIN RELIEF, REFER TO MOD SHEET.
2. SEE "GENERAL DESCRIPTION" FOR ELECTRICAL AND MATERIAL SPECIFICATIONS.
1. FOR AVAILABLE CONTACT ARRANGEMENTS AND ALTERNATE INSERT POSITIONS, SEE 38500T SHEETS IN DBA THREAD COUPLING SECTION.

NOTES:

SIGNATURE & DATE	
DR	<i>[Signature]</i> 11-11-69
CHK	<i>[Signature]</i> 12-15-69
PE	<i>[Signature]</i> 12-15-69
APPD	
SCALE	NONE WT

RECEPTACLE  
 SQUARE FLANGE MOUNT  
 THREAD COUPLING CONNECTOR  
 MIL-C-83723 TYPE  
 DBA  
 ENVELOPE

CP  
 MATL. CODE  
**The Deutsch Company**  
 ELECTRONIC COMPONENTS DIVISION  
 Municipal Airport  
 Banning, California

**B**  
 DWG SIZE  
 11139

DBA30-\*P/S\*

SHEET ( OF )