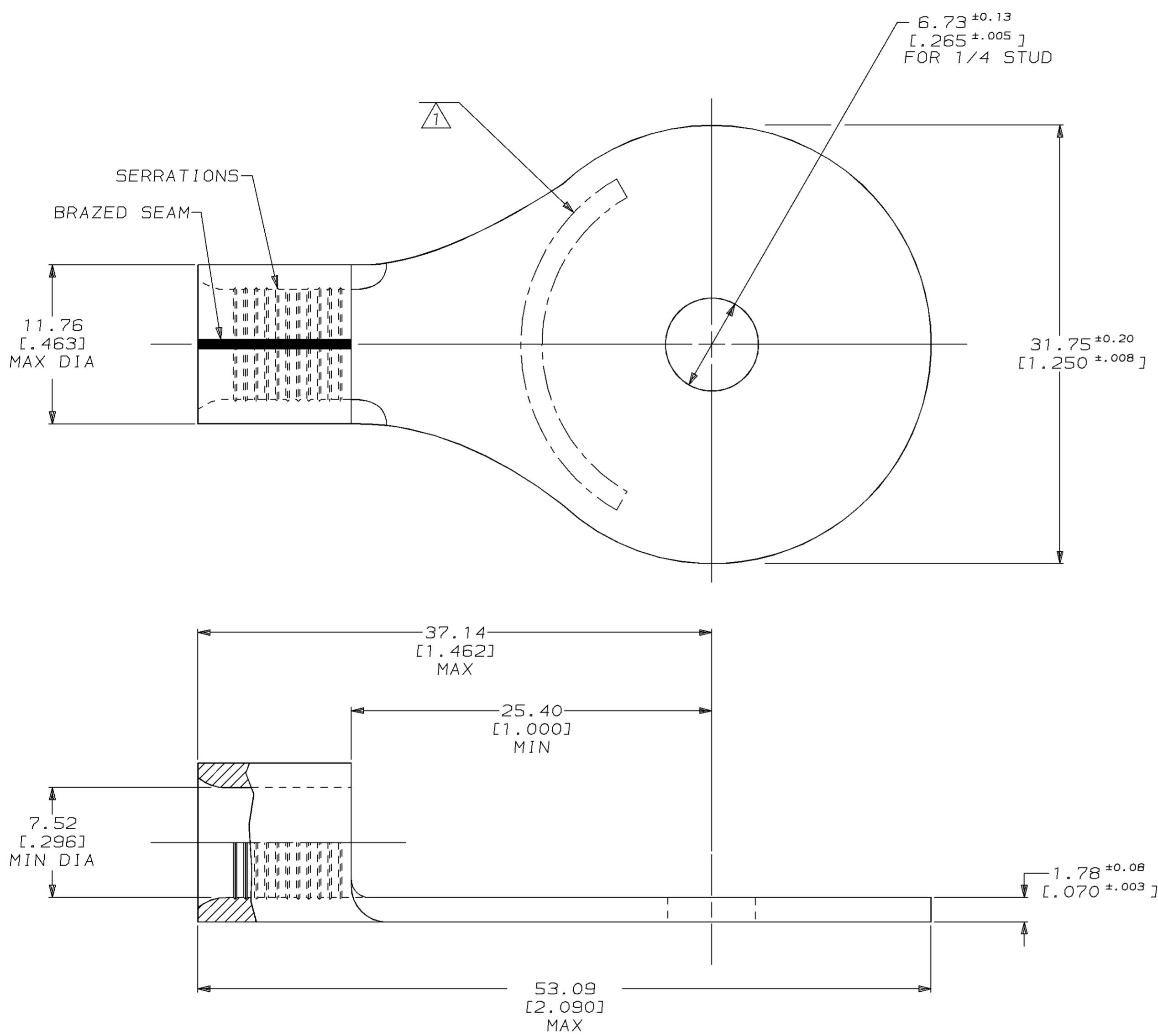


LOC		DIST		REVISIONS				DATE	APPD
ZONE	LTR			DESCRIPTION					
G	14	P	F	B	REVISED PER 0720-0124-94		25JUL94	OKS DAP	

METRIC
 DIMENSIONS LISTED IN mm [INCHES]

AMP WIRE RANGE	E13288 Listed
4 AWG SOLID OR STRANDED	4 AWG STRANDED
LR7189 Certified	MILITARY P/N AND CLASS
4 AWG SOLID OR STRANDED	NOT APPLICABLE

① STAMP AMP 4W* APPROX AS SHOWN



AMP INCORPORATED CUSTOMER SERVICE SYSTEMS		MAX RECOMMENDED OPERATING TEMPERATURE: 170°C MAX	DO NOT SCALE PRINT. UNLESS SPECIFIED DIMENSIONS IN mm [INCHES] TOLERANCES ON: 2 PLC DEC ± 0.20 [.008] 3 PLC DEC ± - ANGLES ± -	DR 11/24/93 DK SCHRUM	55791-1 PART NO		
FOR ADDITIONAL PRODUCT INFORMATION OR COPIES OF DRAWINGS AND TECHNICAL DOCUMENTS	PRODUCT INFORMATION CENTER 1-800-522-6752	VOLTAGE RATING: NOT APPLICABLE	MATERIAL COPPER PER ASTM B-152 ANNEALED	CHK 2/8/94 DA PATTERSON	AMP AMP Incorporated Harrisburg, PA 17105-3608		
FOR APPLICATION TOOLING INFORMATION	TOOLING ASSISTANCE CENTER 1-800-722-1111	WIRE CROSS SECTIONAL AREA RANGE: 16.8-26.7mm² [33,100-52,600] CIR MILS SOLID OR STRANDED	FINISH CLEANED	APPD 2/8/94 CH KULYNYCH	NAME TERMINAL, RING TONGUE, SOLISTRAND™		
FOR ORDER ENTRY	1-800-526-5142	THIS DRAWING IS A CONTROLLED DOCUMENT FOR AMP INCORPORATED. IT IS SUBJECT TO CHANGE AND THE CONTROLLING ENGINEERING ORGANIZATION SHOULD BE CONTACTED FOR THE LATEST REVISION.		APPD 2/8/94 JL MECKLEY	SIZE C	CAGE CODE 00779	DRAWING NO C=55791
				PRODUCT SPEC -	SCALE 4:1	SHEET 1 OF 1	