

PART
NAME

NEMA 4X PLASTIC BOX w/EXTERNAL MTG. BRKT.

PART
No.

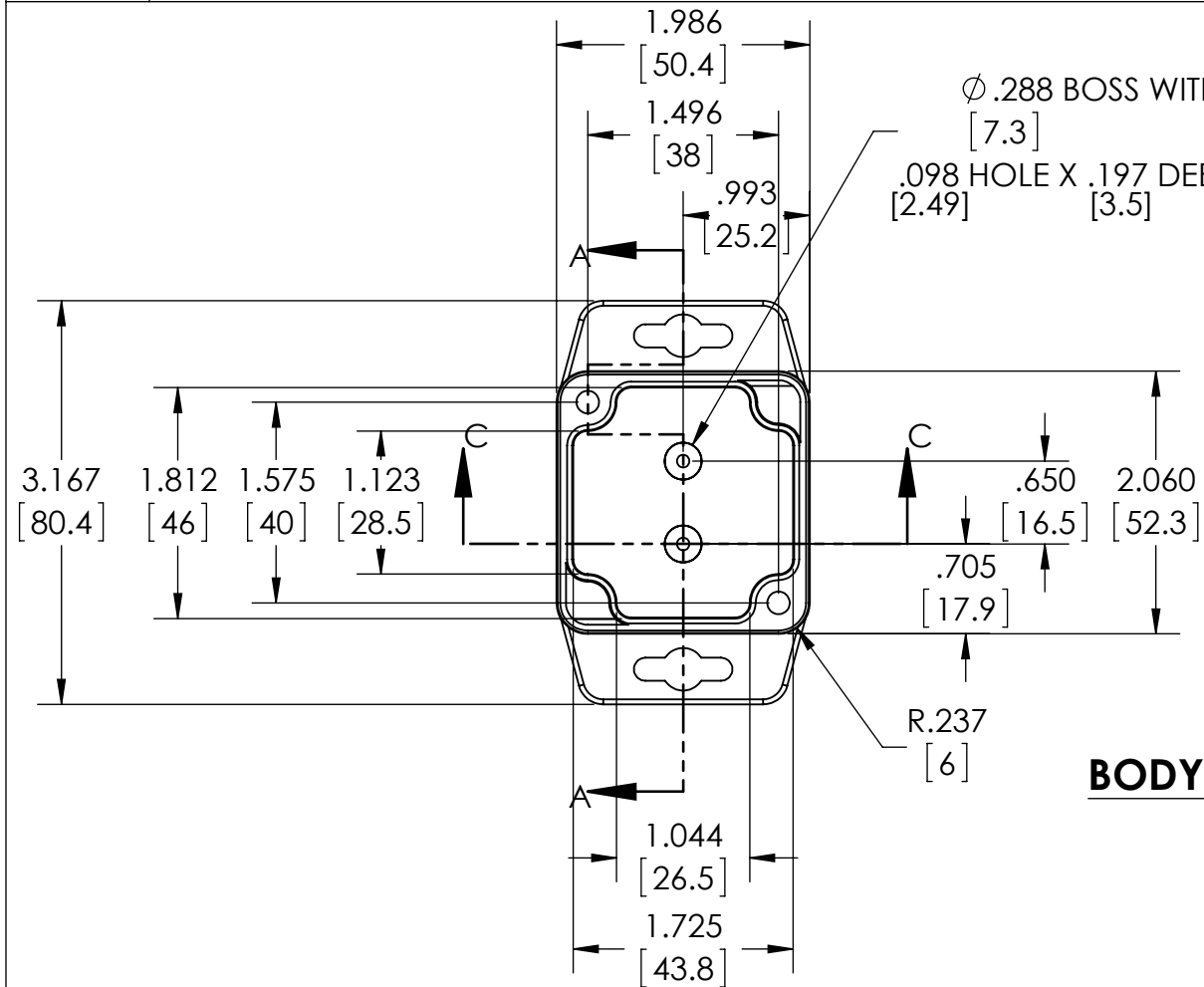
PN-1330-MB

PN-1330-CMB

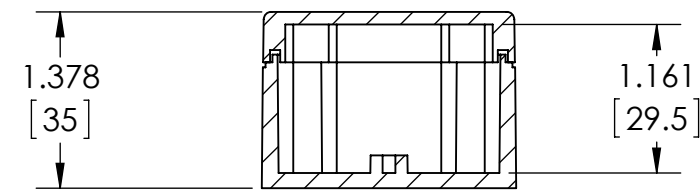
PN-1330-DGMB

REVISION
DATE

2-10-14



Ø .288 BOSS WITH
[7.3]
.098 HOLE X .197 DEEP 2X
[2.49] [3.5]

BODY

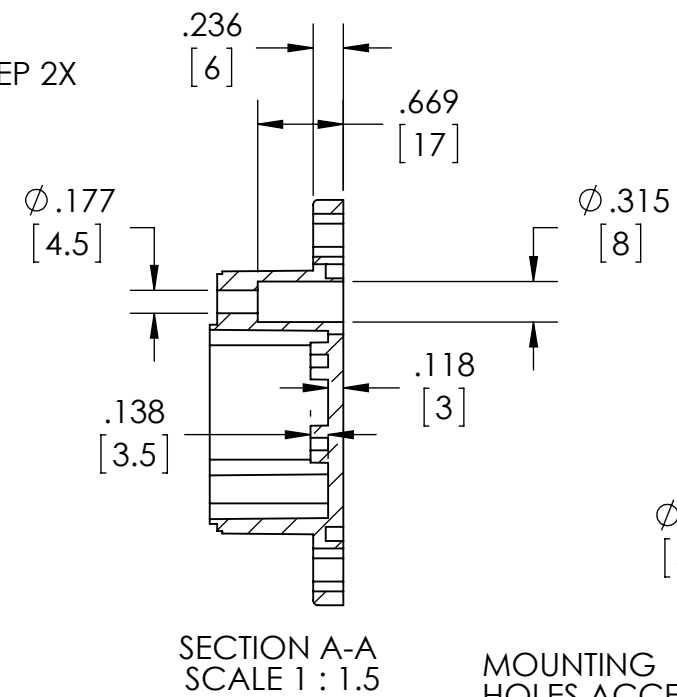
SECTION C-C
SCALE 1 : 1.5
SHOWN WITH COVER

MATERIAL & FINISH:

(-MB SUFFIX PART NO.) POLYCARBONATE UL94-HB, UV STABILIZED, SERVICE TEMPERATURE RANGE: -40°C TO +120°C, LIGHT GRAY BODY & COVER.
(-CMB SUFFIX PART NO.) SAME AS -MB EXCEPT CLEAR COVER.
(-DGMB SUFFIX PART NO.) ABS UL94-HB, SERVICE TEMPERATURE RANGE: -40°C TO +80°C, DARK GRAY BODY & COVER.

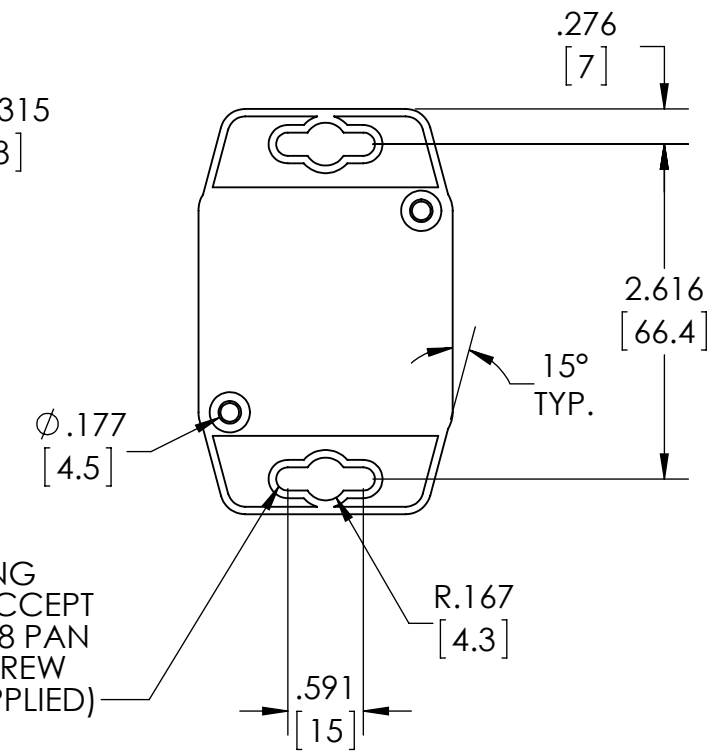
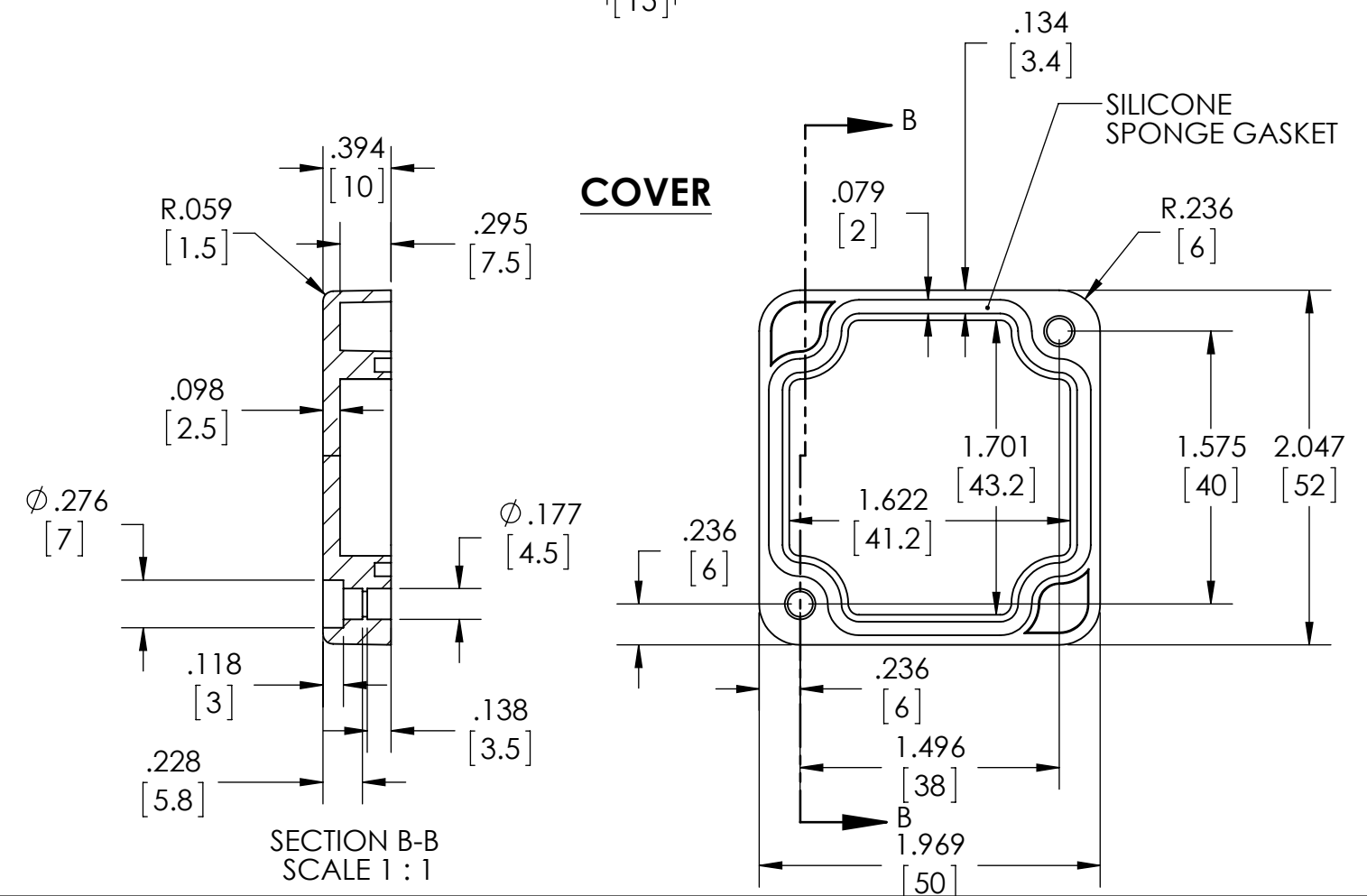
NOTES:

- 1.) FOUR (4) M4 STAINLESS STEEL SCREWS SUPPLIED FOR ASSEMBLY OF COVER TO BODY.
- 2.) BOXES DESIGNED TO MEET FOLLOWING STANDARDS:
NEMA 1, 2, 4, 4X, 12, 13 AND IEC529-IP66 REQUIREMENTS.
- 3.) ALL HOLE DIAMETERS HAVE ±.005[.12] TOLERANCE.
ALL OTHER DIMENSIONS HAVE ±.015[.38] TOLERANCE.
- 4.) ALL OUTSIDE DRAFT ANGLE: 1°
ALL INSIDE DRAFT ANGLE: 1/2°
- 5.) DIMENSIONS ARE INCH[MM]



SECTION A-A
SCALE 1 : 1.5

MOUNTING
HOLES ACCEPT
M4 OR #8 PAN
HEAD SCREW
(NOT SUPPLIED)

**COVER**

SILICONE
SPONGE GASKET

SECTION B-B
SCALE 1 : 1

