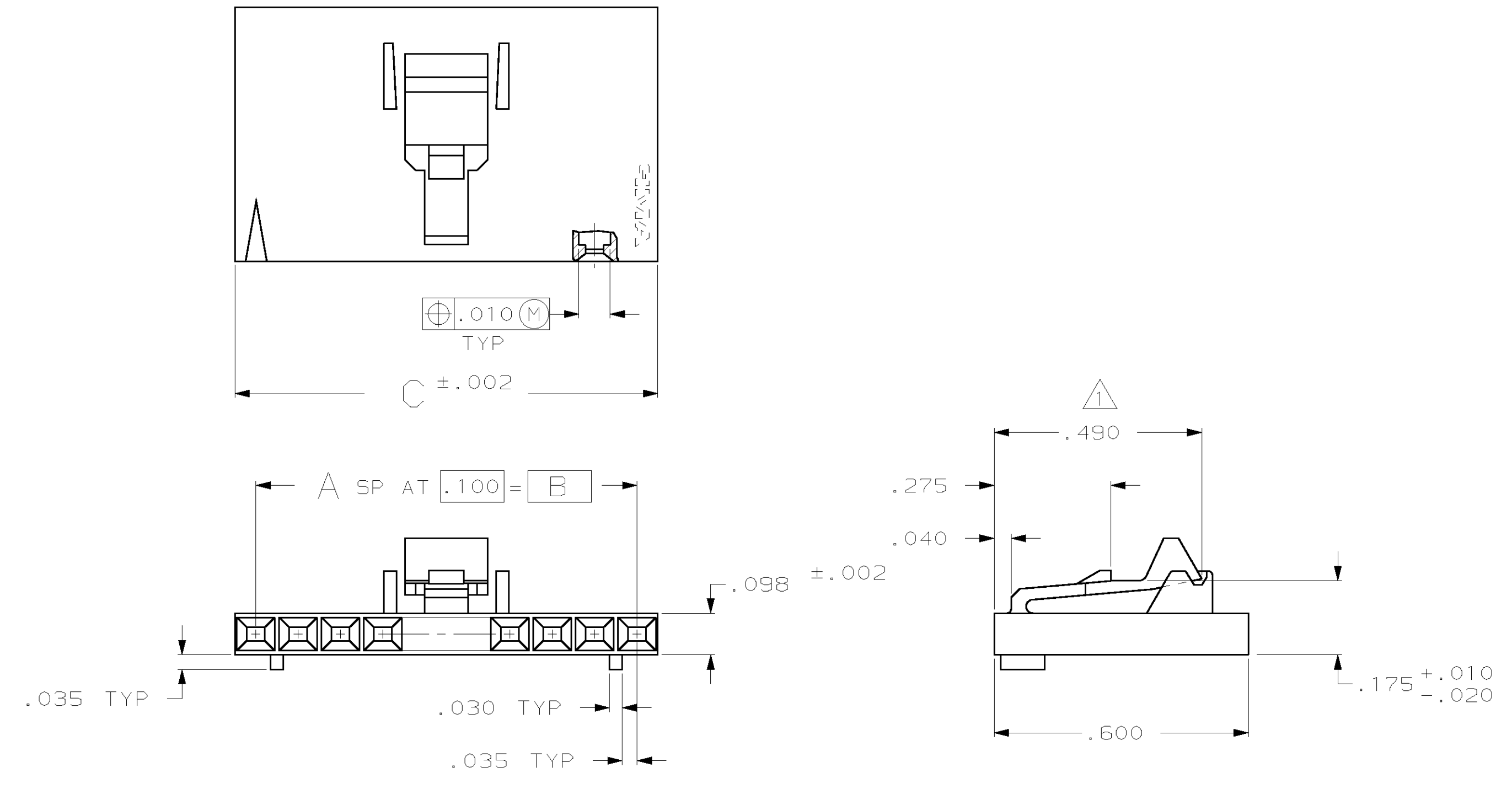


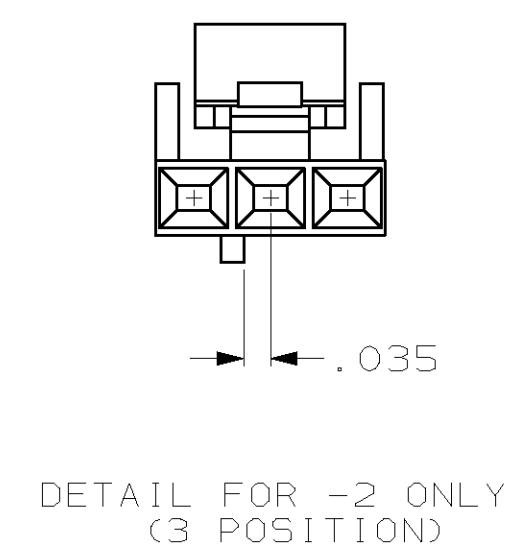
THIS DRAWING IS UNPUBLISHED. RELEASED FOR PUBLICATION .19
 (C) COPYRIGHT 19 BY AMP INCORPORATED. ALL RIGHTS RESERVED.

LOC	DIST	REVISIONS			
P	LTR	DESCRIPTION	DATE	DWN	APVD
AD	39	B	REV PER 063C-0367-04	16AUG04	RB JG

△1 THIS DIMENSION .480 FOR 2 POSN ONLY
 △2 PRELIMINARY PART - NOT RELEASED FOR PRODUCTION.



△2	.998	.900	9	10	104920-9
△2	.898	.800	8	9	104920-8
	.498	.400	4	5	104920-4
	.398	.300	3	4	104920-3
	.298	.200	2	3	104920-2
	C	B	A	NO OF POSN	PART NUMBER



DIMENSIONS:		TOLERANCES UNLESS OTHERWISE SPECIFIED:		DWN		AMP	
in		0 PLC	±	J. HERRINGTON	2-8-95	AMP Incorporated	
		1 PLC	±	J. GESFORD	2-8-95	Harrisburg, PA 17105-3608	
		2 PLC	±	D. DUPLER	2-8-95	NAME	
		3 PLC	±.005	108-25034		RECEPTACLE HOUSING, AMPMODU MTE, SINGLE ROW, .100 CL, POLARIZED WITH LATCH	
		4 PLC	±	114-25026		SIZE	CAGE CODE
		ANGLES	±			A2	00779
		FINISH	-			DRAWING NO	
MATERIAL				WEIGHT		C=104920	
FLAME RETARDANT POLYCARBONATE				CUSTOMER DRAWING		SCALE	SHEET
						4:1	1 OF 1
							REV
							B