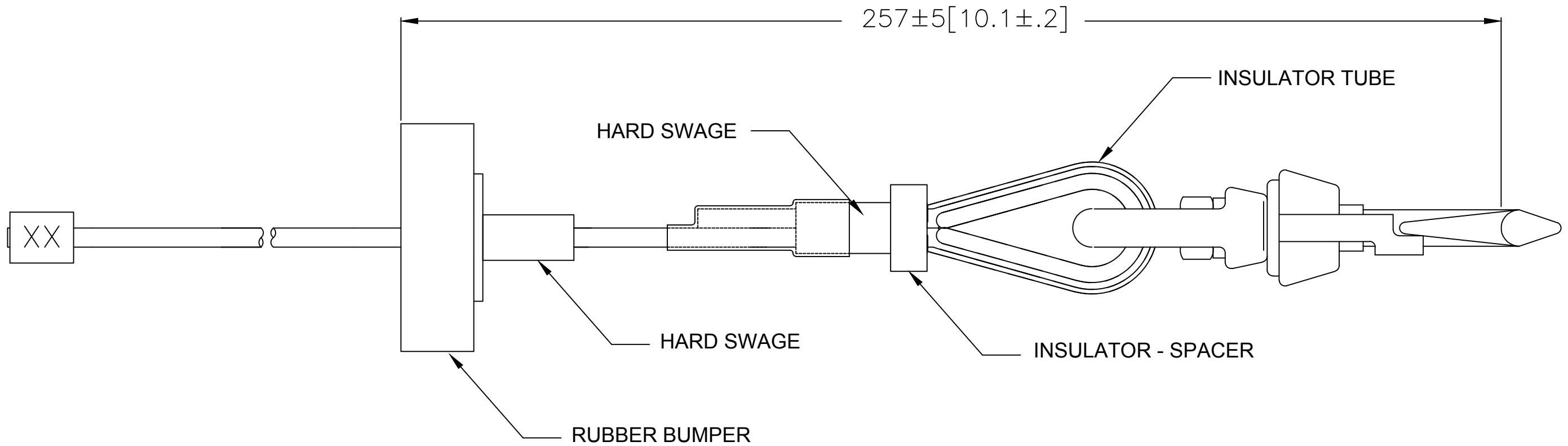


FINAL ASSEMBLY:		USED FOR J/K/L BALANCER TRAVEL: 7FT[2.1M]
MATERIAL NUMBER	ENGINEERING NUMBER	
1301792145	BG15082	

CUSTOMER APPROVAL SIGNATURE & DATE	
_____ SIGNATURE	
DATE ____ / ____ / ____	



NOTES:
 1. ALL COMPONENTS/PARTS TO BE PACK IN A POLY BAG & CARTON.
 2. VIEWS DO NOT REPRESENT ACTUAL SIZE. SEE COMPONENT DRAWING FOR ACTUAL SIZE/DIMENSIONS.

RELEASE EC NO: IPG2013-1189 DRWN: MCHOJECK 2013/02/04 CHKD: DT APPR: JFMURPHY 2013/06/21	DESCRIPTION REV	QUALITY SYMBOLS	GENERAL TOLERANCES (UNLESS SPECIFIED)		DIMENSION STYLE		SCALE	DESIGN UNITS	THIRD ANGLE PROJECTION		
		▼=0 ∇=0		mm	INCH	MM / INCH		NTS	METRIC	DRAWN BY DATE MCHOJECK 2013/02/04 CHECKED BY DATE DT 2013/02/04 APPROVED BY DATE JFMURPHY 2013/06/21	
			4 PLACES	±---	±---	DRAWN BY DATE		TITLE		SPECIAL CABLE ASSEMBLY FOR J/K/L BALANCERS ---- MOLEX INCORPORATED	
			3 PLACES	±---	±---	DATE		DOCUMENT NO.			
2 PLACES	±0.13	±0.01	MATERIAL NO.		SD-130179-005		1 OF 1				
1 PLACE	±0.25	±0.02	DRAFT WHERE APPLICABLE MUST REMAIN WITHIN DIMENSIONS		SEE TABLE		THIS DRAWING CONTAINS INFORMATION THAT IS PROPRIETARY TO MOLEX INCORPORATED AND SHOULD NOT BE USED WITHOUT WRITTEN PERMISSION				
		ANGULAR ±.5°									