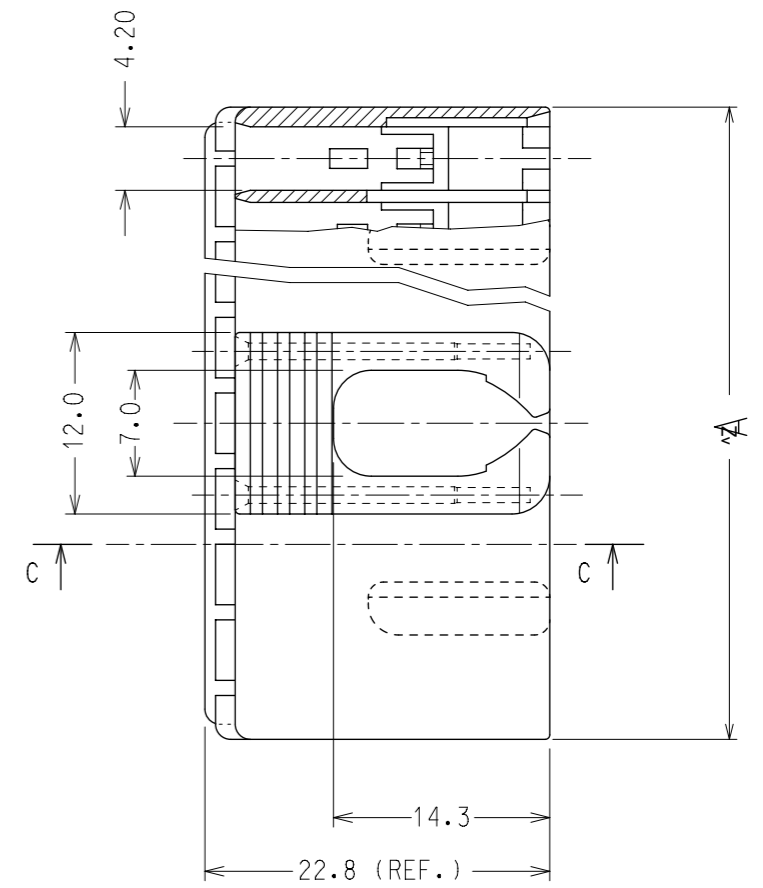
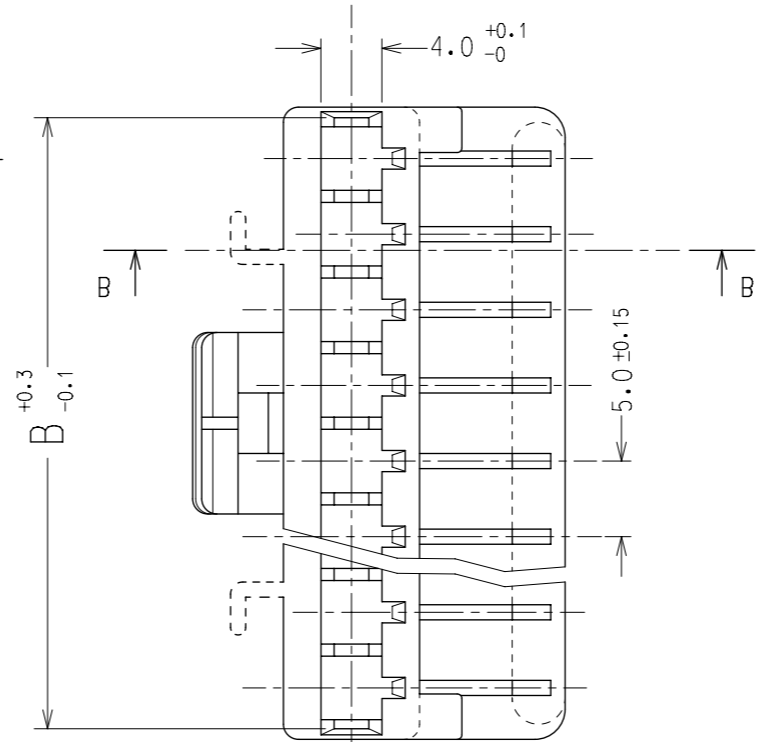
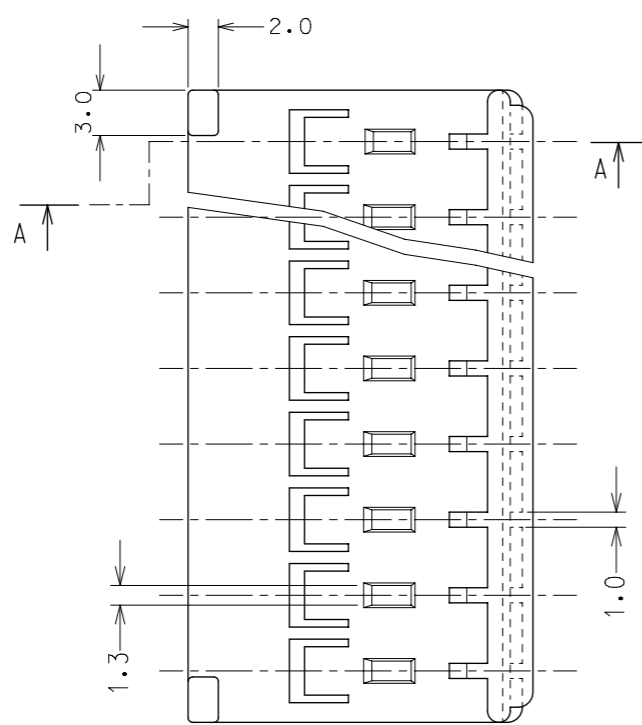
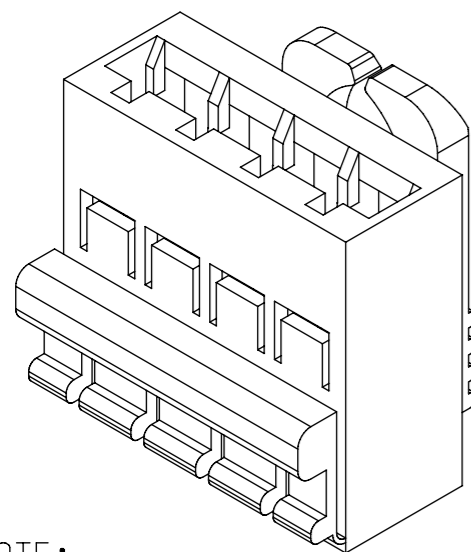


VISTA DELL'HOUSING  
CON SECONDARY LOCK CHIUSO  
VIEW OF THE HOUSING WITH  
THE SEC.LOCK IN LOCKED POSITION



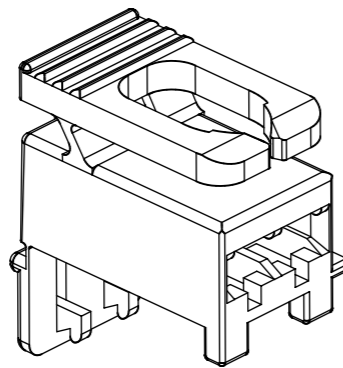
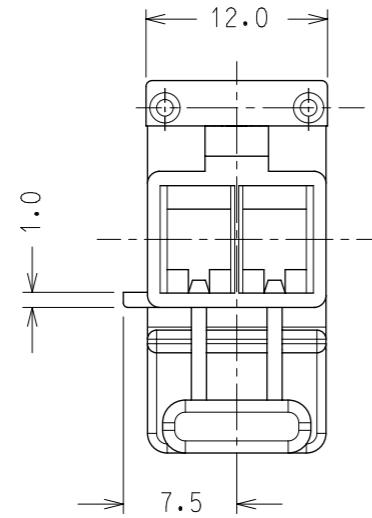
NOTE:

- 1) MATERIALI/ MATERIALS: HOUSING: NYLON 66 NATURALE/PA 66 NATURAL COLOR  
PIN: ACCIAIO INOX/STAINLESS STEEL
- 2) PER CODICI, POLARIZZAZIONI, MARCATURE E PACKAGING VEDERE FOGLI SEGUENTI  
FOR PART NOS, POLARIZATIONS, MARKINGS AND PACKAGING SEE THE FOLLOWING SHEETS
- 3) LE DIMENSIONI VANNO MISURATE CON CORPI STABILIZZATI SECONDO NG 2301  
(AUMENTO IN PESO DEL 2.7 %)  
PARTS SHALL BE DIMENSIONALLY CHECKED AFTER ATTAINING EQUILIBRIUM CONDITIONS  
E.G. 2.7 % INCREASE IN WEIGHT FOR HUMIDITY ABSORPTION FROM DRY STATUS
- 4) CARATTERISTICHE SECONDO PS 94509  
PRODUCT CHARACTERISTICS ACCORDING TO PS 94509 E
- 5) VEDERE FOGLIO 10/10 PER INFORMAZIONI SULLA CONFEZIONE  
SEE SHEET 10/10 FOR INFORMATION REGARDING THE PACKAGING

N.° VIE CKT.	2	3	4	5	6	7	8
A	11.8	16.8	21.8	26.8	31.8	36.8	41.8
B	10.4	15.4	20.4	25.4	30.4	35.4	40.4

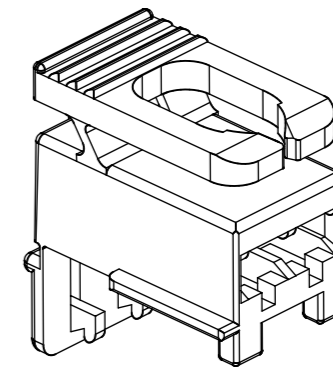
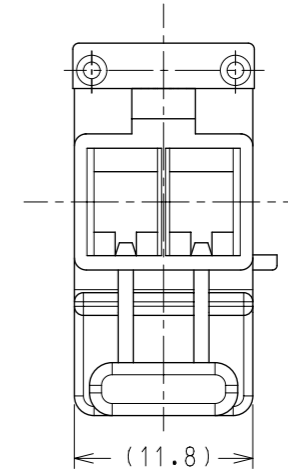
THIS DRAWING CONTAINS INFORMATION THAT IS PROPRIETARY TO MOLEX ELECTRONIC TECHNOLOGIES, LLC AND SHOULD NOT BE USED WITHOUT WRITTEN PERMISSION													
DIMENSION UNITS <b>mm</b>		SCALE <b>2:1</b>		CURRENT REV DESC:									
GENERAL TOLERANCES (UNLESS SPECIFIED)				<p>HOUSING FOR STRAIGHT FORK TERMINAL (WITH STEEL PINS)</p> <p>PRODUCT CUSTOMER DRAWING</p>									
4 PLACES ±		MM INCH								EC NO: 620398		1991/01/10	
3 PLACES ±										DRWN: AKUMAR19		2019/10/18	
2 PLACES ±		0.1 ±								CHK'D: GGA		2019/10/18	
1 PLACE ±		0.2 ±								APPR: GGA		2019/10/18	
0 PLACES ±				INITIAL REVISION:									
ANGULAR TOL ±		2.0°		DRWN: SBARBIER		1991/01/23							
DRAFT WHERE APPLICABLE MUST REMAIN WITHIN DIMENSIONS		FIRST ANGLE PROJECTION		APPR: MPREVIAT		1991/01/24							
DRAWING		SERIES		MATERIAL NUMBER		CUSTOMER		SHEET NUMBER					
A3-SIZE		94509		SEE TABLE		FIAT		1 OF 10					

# HOUSINGS A 2 VIE: / 2 CKT HOUSINGS:



POLARIZZAZIONE TIPO "A"  
TYPE "A" POLARIZATION

N.° VIE	CODICE HOUSING/TIPO POLARIZZAZIONE HOUSING P/N / POLARIZATION	
CKT No.	A	B
2	94509-5210	94509-5220

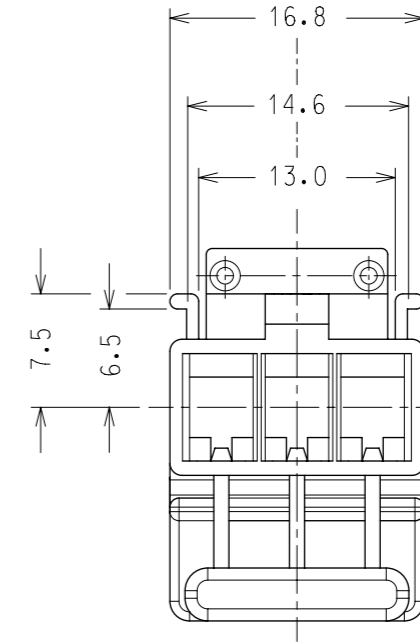
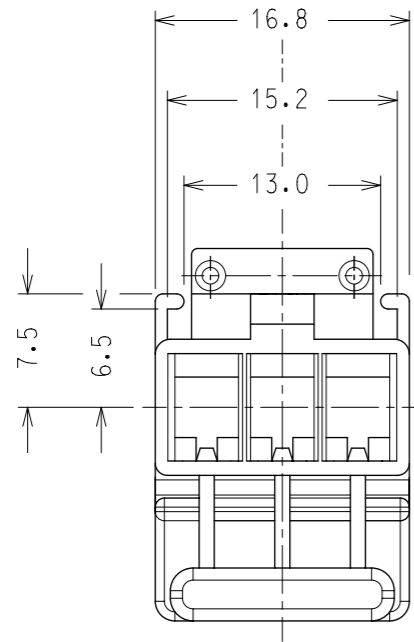


POLARIZZAZIONE TIPO "B"  
TYPE "B" POLARIZATION

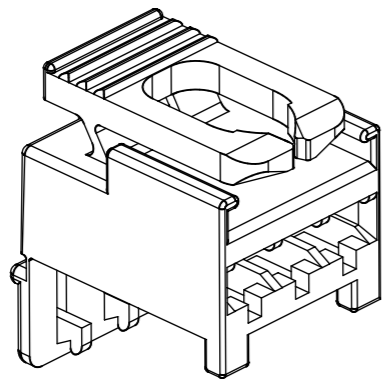
NOTA: QUESTA VERSIONE E' FORNITA SENZA PIOLINI IN ACCIAIO  
NOTE: THIS VERSION IS SUPPLIED WITHOUT STEEL PINS

THIS DRAWING CONTAINS INFORMATION THAT IS PROPRIETARY TO MOLEX ELECTRONIC TECHNOLOGIES, LLC AND SHOULD NOT BE USED WITHOUT WRITTEN PERMISSION									
DIMENSION UNITS <b>mm</b>		SCALE <b>2:1</b>		CURRENT REV DESC:				<b>molex</b>	
GENERAL TOLERANCES (UNLESS SPECIFIED)				EC NO: 620398					
				DRWN: AKUMAR19		2019/01/10		HOUSING FOR STRAIGHT FORK TERMINAL (WITH STEEL PINS)	
4 PLACES ±		±		CHK'D: GGA		2019/10/18		PRODUCT CUSTOMER DRAWING	
3 PLACES ±		±		APPR: GGA		2019/10/18		DOCUMENT NUMBER	
2 PLACES ±		0.1 ±		INITIAL REVISION:		1991/01/23		SD-94509-003	
1 PLACE ±		0.2 ±		DRWN: SBARBIER		1991/01/24		DOC TYPE DOC PART REVISION	
0 PLACES ±		±		APPR: MPREVIAT		1991/01/24		PSD 001 C	
ANGULAR TOL ±		2.0°		DRAFT WHERE APPLICABLE MUST REMAIN WITHIN DIMENSIONS		FIRST ANGLE PROJECTION		DRAWING SERIES MATERIAL NUMBER CUSTOMER SHEET NUMBER	
						A3-SIZE 94509		SEE TABLE FIAT 2 OF 10	

# HOUSINGS A 3 VIE: / 3 CKT HOUSINGS:

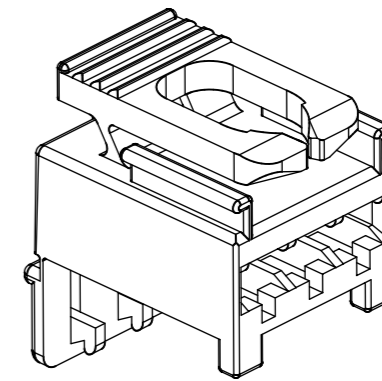


N.° VIE	CODICE HOUSING/TIPO POLARIZZAZIONE	
CKT No.	HOUSING P/N / POLARIZATION	
	A	B
3	94509-5310 *	94509-5320



POLARIZZAZIONE TIPO "A"  
TYPE "A" POLARIZATION

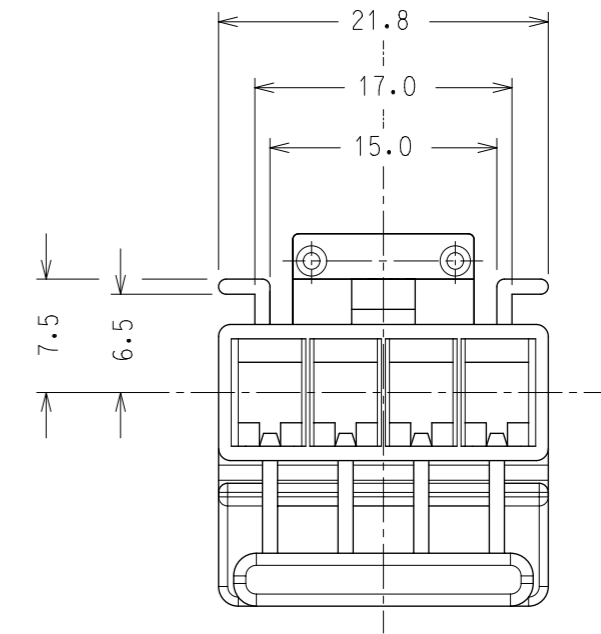
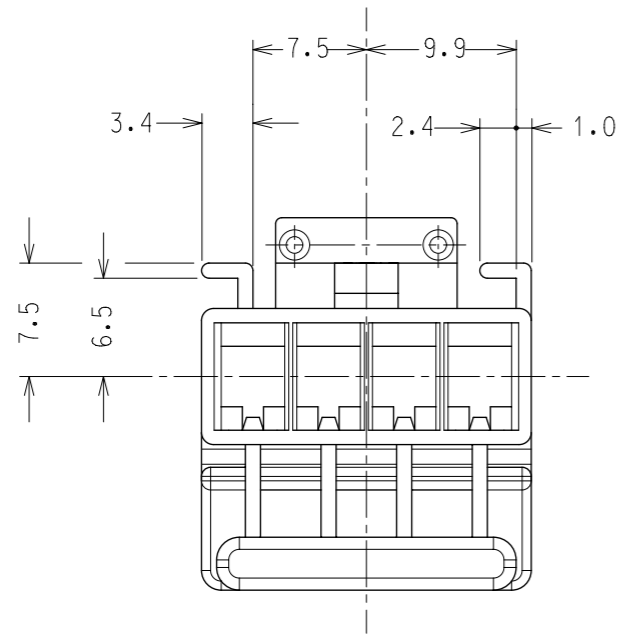
\* VERSIONE NON ATTREZZATA  
NOT TOOLED



POLARIZZAZIONE TIPO "B"  
TYPE "B" POLARIZATION

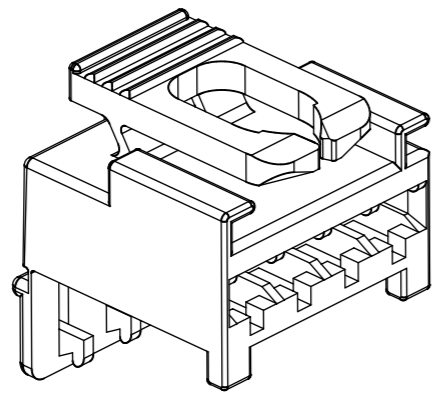
THIS DRAWING CONTAINS INFORMATION THAT IS PROPRIETARY TO MOLEX ELECTRONIC TECHNOLOGIES, LLC AND SHOULD NOT BE USED WITHOUT WRITTEN PERMISSION									
DIMENSION UNITS		SCALE		CURRENT REV DESC:				<b>molex</b>	
mm		2:1							
GENERAL TOLERANCES (UNLESS SPECIFIED)				EC NO: 620398				HOUSING FOR STRAIGHT FORK TERMINAL (WITH STEEL PINS)	
				DRWN: AKUMAR19 2019/01/10					
4 PLACES ±				CHK'D: GGA 2019/10/18					
3 PLACES ±				APPR: GGA 2019/10/18				PRODUCT CUSTOMER DRAWING	
2 PLACES ± 0.1				INITIAL REVISION:				DOCUMENT NUMBER	
1 PLACE ± 0.2				DRWN: SBARBIER 1991/01/23				SD-94509-003	
0 PLACES ±				APPR: MPREVIAT 1991/01/24				DOC TYPE DOC PART REVISION	
ANGULAR TOL ± 2.0°				DRAFT WHERE APPLICABLE MUST REMAIN WITHIN DIMENSIONS				PSD 001 C	
				FIRST ANGLE PROJECTION		DRAWING		MATERIAL NUMBER	
				A3-SIZE		SERIES		CUSTOMER	
				94509		SEE TABLE		FIAT	
						SHEET NUMBER		3 OF 10	

# HOUSINGS A 4 VIE: / 4 CKT HOUSINGS:

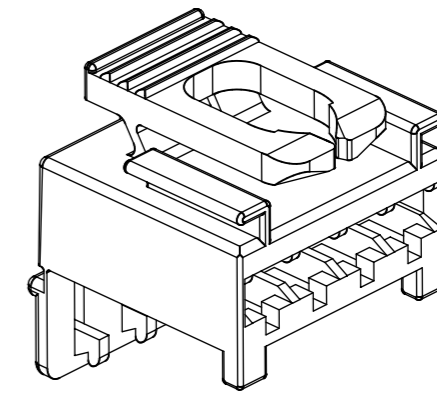


N.° VIE	CODICE HOUSING/TIPO POLARIZZAZIONE	
CKT No.	HOUSING P/N / POLARIZATION	
	A	B
4	94509-5410 *	94509-5420

\* VERSIONE NON ATTREZZATA  
NOT TOOLED



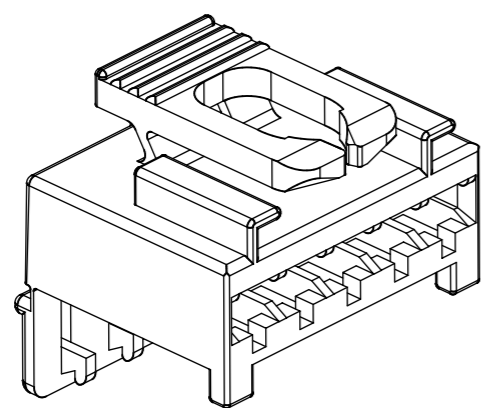
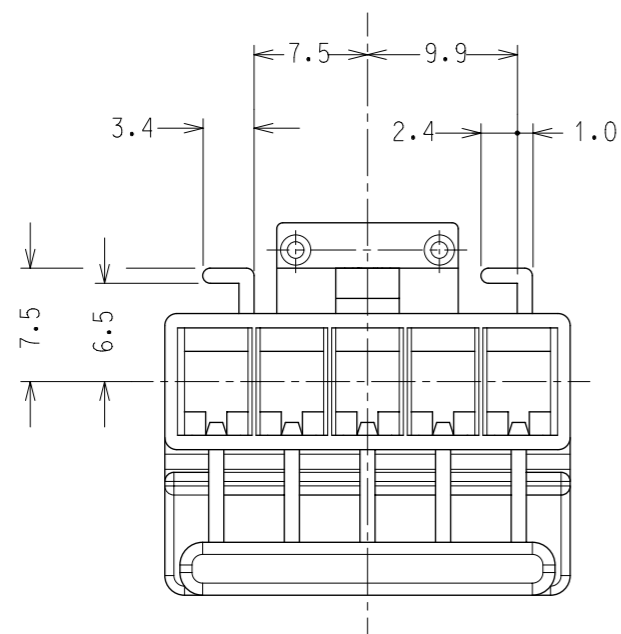
POLARIZZAZIONE TIPO "A"  
TYPE "A" POLARIZATION



POLARIZZAZIONE TIPO "B"  
TYPE "B" POLARIZATION

THIS DRAWING CONTAINS INFORMATION THAT IS PROPRIETARY TO MOLEX ELECTRONIC TECHNOLOGIES, LLC AND SHOULD NOT BE USED WITHOUT WRITTEN PERMISSION										
DIMENSION UNITS		SCALE		CURRENT REV DESC:				<b>molex</b>		
mm		2:1								
GENERAL TOLERANCES (UNLESS SPECIFIED)				EC NO: 620398				HOUSING FOR STRAIGHT FORK TERMINAL (WITH STEEL PINS)		
		MM	INCH	DRWN: AKUMAR19 2019/01/10						
4 PLACES		±	±	CHK'D: GGA 2019/10/18				PRODUCT CUSTOMER DRAWING		
3 PLACES		±	±	APPR: GGA 2019/10/18						
2 PLACES		±	0.1	INITIAL REVISION:				DOCUMENT NUMBER		
1 PLACE		±	0.2	DRWN: SBARBIER 1991/01/23						
0 PLACES		±	±	APPR: MPREVIAT 1991/01/24				SD-94509-003		
ANGULAR TOL		± 2.0°		FIRST ANGLE PROJECTION				DOC TYPE	DOC PART	REVISION
DRAFT WHERE APPLICABLE MUST REMAIN WITHIN DIMENSIONS		FIRST ANGLE PROJECTION		DRAWING	SERIES	MATERIAL NUMBER	CUSTOMER	SHEET NUMBER		
		FIRST ANGLE PROJECTION		A3-SIZE	94509	SEE TABLE	FIAT	4 OF 10		

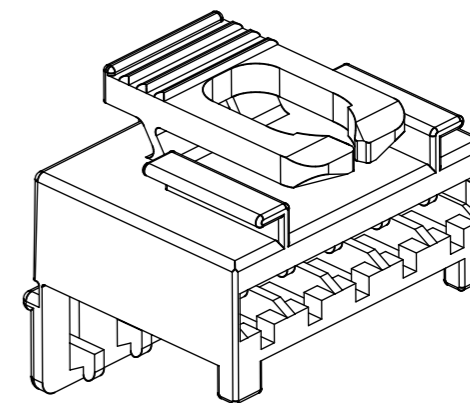
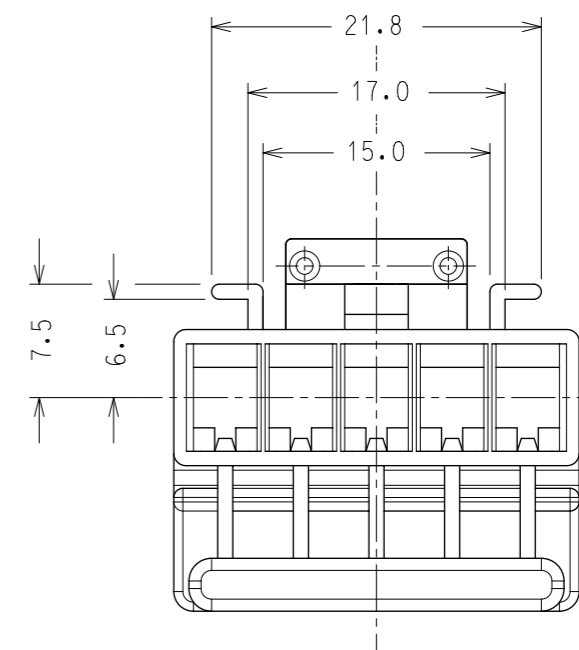
# HOUSINGS A 5 VIE: / 5 CKT HOUSINGS:



POLARIZZAZIONE TIPO "A"  
TYPE "A" POLARIZATION

N.° VIE	CODICE HOUSING/TIPO POLARIZZAZIONE HOUSING P/N / POLARIZATION	
	A	B
CKT No.	5	5
	94509-5510 *	94509-5520

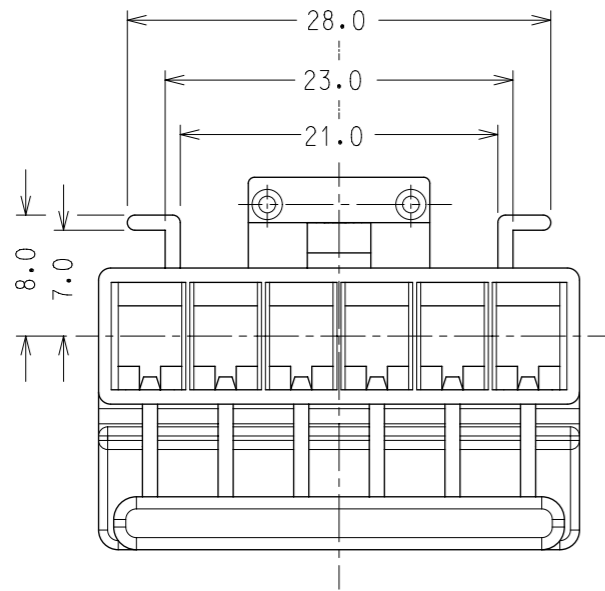
\* VERSIONE NON ATTREZZATA  
NOT TOOLED



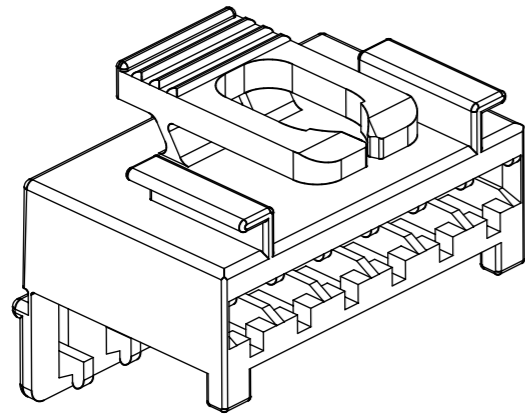
POLARIZZAZIONE TIPO "B"  
TYPE "B" POLARIZATION

THIS DRAWING CONTAINS INFORMATION THAT IS PROPRIETARY TO MOLEX ELECTRONIC TECHNOLOGIES, LLC AND SHOULD NOT BE USED WITHOUT WRITTEN PERMISSION									
DIMENSION UNITS		SCALE		CURRENT REV DESC:				<b>molex</b>	
mm		2:1							
GENERAL TOLERANCES (UNLESS SPECIFIED)				EC NO: 620398				HOUSING FOR STRAIGHT FORK TERMINAL (WITH STEEL PINS)	
				DRWN: AKUMAR19 2019/01/10					
				CHK'D: GGA 2019/10/18					
				APPR: GGA 2019/10/18				PRODUCT CUSTOMER DRAWING	
				INITIAL REVISION:				DOCUMENT NUMBER	
				DRWN: SBARBIER 1991/01/23				SD-94509-003	
				APPR: MPREVIAT 1991/01/24				DOC TYPE DOC PART REVISION	
								PSD 001 C	
DRAFT WHERE APPLICABLE MUST REMAIN WITHIN DIMENSIONS		FIRST ANGLE PROJECTION		DRAWING		SERIES		MATERIAL NUMBER	
		A3-SIZE		94509		SEE TABLE		CUSTOMER	
		FIAT		SHEET NUMBER		5 OF 10			

# HOUSINGS A 6 VIE: / 6 CKT HOUSINGS:



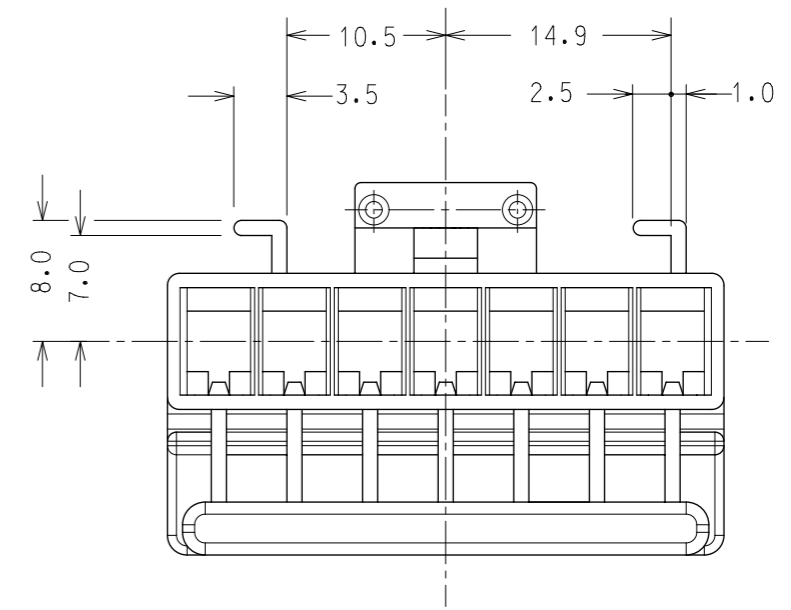
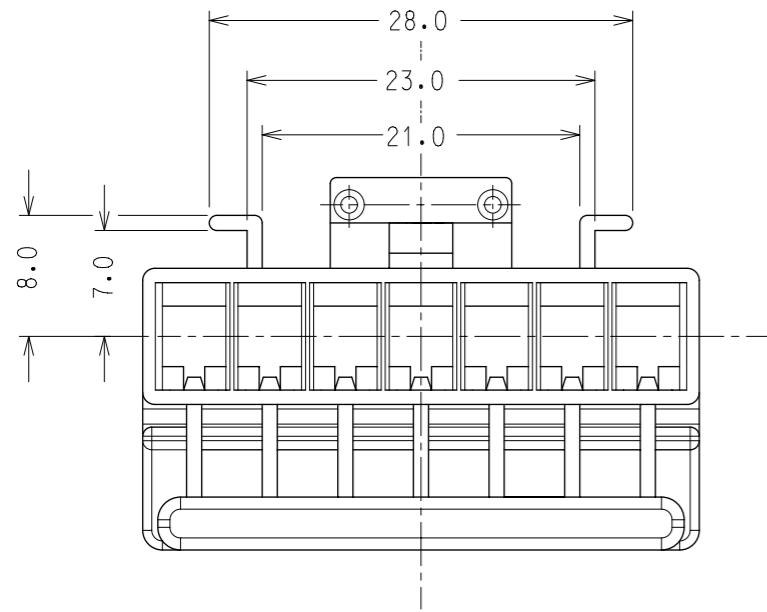
N.° VIE	CODICE HOUSING/TIPO POLARIZZAZIONE <i>HOUSING P/N / POLARIZATION</i>
CKT No.	A
6	94509-5610



POLARIZZAZIONE TIPO "A"  
TYPE "A" POLARIZATION

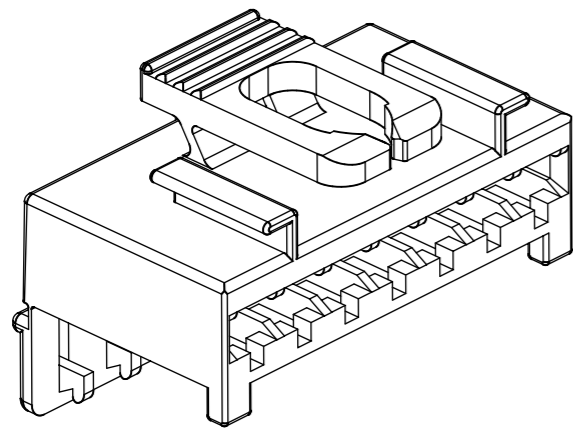
THIS DRAWING CONTAINS INFORMATION THAT IS PROPRIETARY TO MOLEX ELECTRONIC TECHNOLOGIES, LLC AND SHOULD NOT BE USED WITHOUT WRITTEN PERMISSION									
DIMENSION UNITS		SCALE		CURRENT REV DESC:				<b>molex</b>	
mm		2:1							
GENERAL TOLERANCES (UNLESS SPECIFIED)				EC NO: 620398				HOUSING FOR STRAIGHT FORK TERMINAL (WITH STEEL PINS)	
				DRWN: AKUMAR19 2019/01/10					
				CHK'D: GGA 2019/10/18				PRODUCT CUSTOMER DRAWING	
				APPR: GGA 2019/10/18					
				INITIAL REVISION:				DOCUMENT NUMBER	
				DRWN: SBARBIER 1991/01/23				SD-94509-003	
				APPR: MPREVIAT 1991/01/24				DOC TYPE	
				ANGULAR TOL ± 2.0°				PSD	
				DRAFT WHERE APPLICABLE MUST REMAIN WITHIN DIMENSIONS				DOC PART	
				FIRST ANGLE PROJECTION				001	
				DRAWING				REVISION	
				A3-SIZE				C	
				SERIES				MATERIAL NUMBER	
				94509				SEE TABLE	
				CUSTOMER				FIAT	
								SHEET NUMBER	
								6 OF 10	

# HOUSINGS A 7 VIE: / 7 CKT HOUSINGS:

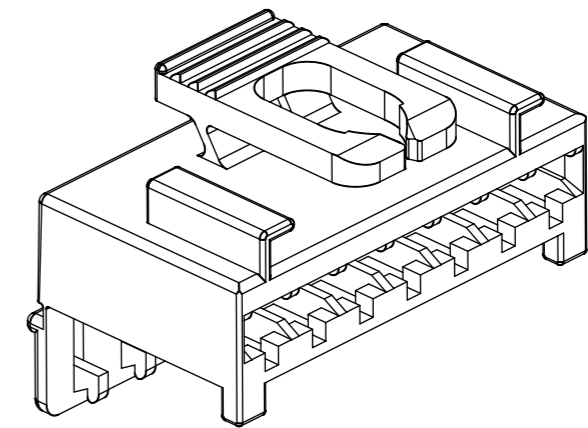


N.° VIE	CODICE HOUSING/TIPO POLARIZZAZIONE	
CKT No.	HOUSING P/N / POLARIZATION	
	A	B
7	94509-5710 *	94509-5720 *

\* VERSIONE NON ATTREZZATA  
\* NOT TOOLED



POLARIZZAZIONE TIPO "A"  
TYPE "A" POLARIZATION



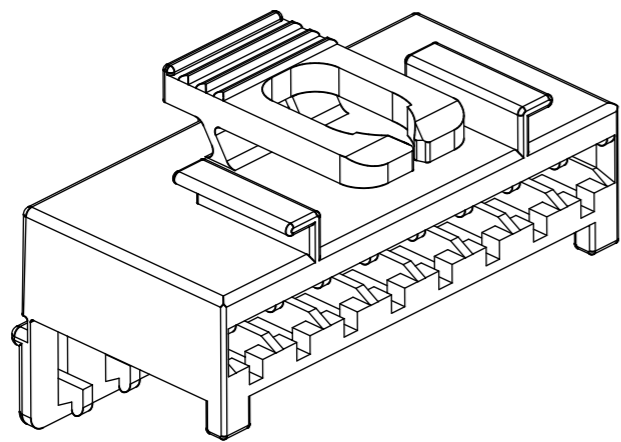
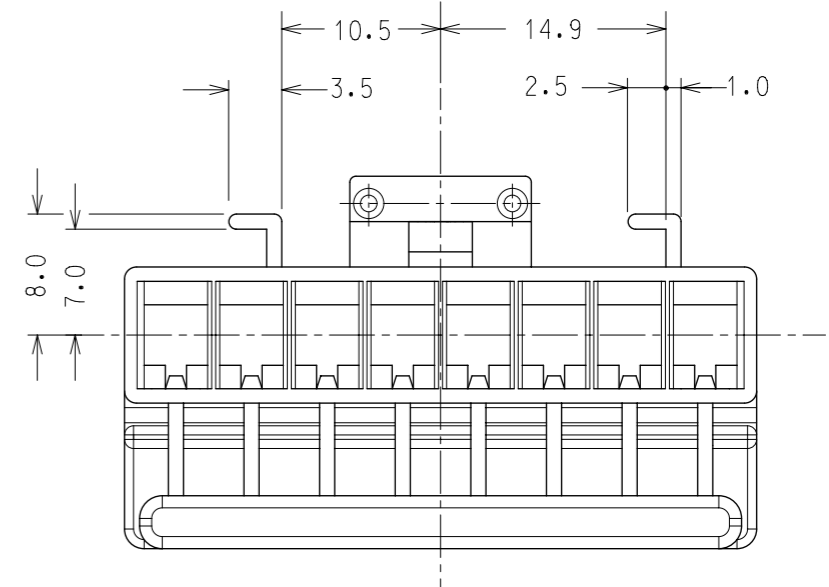
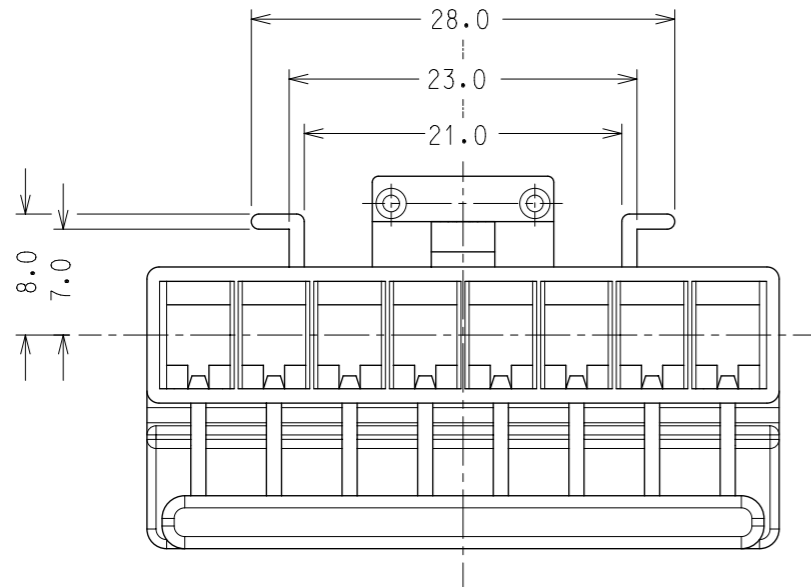
POLARIZZAZIONE TIPO "B"  
TYPE "B" POLARIZATION

THIS DRAWING CONTAINS INFORMATION THAT IS PROPRIETARY TO MOLEX ELECTRONIC TECHNOLOGIES, LLC AND SHOULD NOT BE USED WITHOUT WRITTEN PERMISSION									
DIMENSION UNITS		SCALE		CURRENT REV DESC:				<b>molex</b>	
mm		2:1							
GENERAL TOLERANCES (UNLESS SPECIFIED)				EC NO: 620398				HOUSING FOR STRAIGHT FORK TERMINAL (WITH STEEL PINS)	
				DRWN: AKUMAR19 2019/01/10					
				CHK'D: GGA 2019/10/18				PRODUCT CUSTOMER DRAWING	
				APPR: GGA 2019/10/18					
				INITIAL REVISION:				DOCUMENT NUMBER	
4 PLACES ±				DRWN: SBARBIER 1991/01/23				SD-94509-003	
3 PLACES ±				APPR: MPREVIAT 1991/01/24				DOC TYPE DOC PART REVISION	
2 PLACES ± 0.1 ±								PSD 001 C	
1 PLACE ± 0.2 ±									
0 PLACES ±									
ANGULAR TOL ± 2.0°									
DRAFT WHERE APPLICABLE MUST REMAIN WITHIN DIMENSIONS		FIRST ANGLE PROJECTION		DRAWING		SERIES		MATERIAL NUMBER	
		A3-SIZE		94509		SEE TABLE		CUSTOMER	
		FIAT		7 OF 10					

# HOUSINGS A 8 VIE: / 8 CKT HOUSINGS:

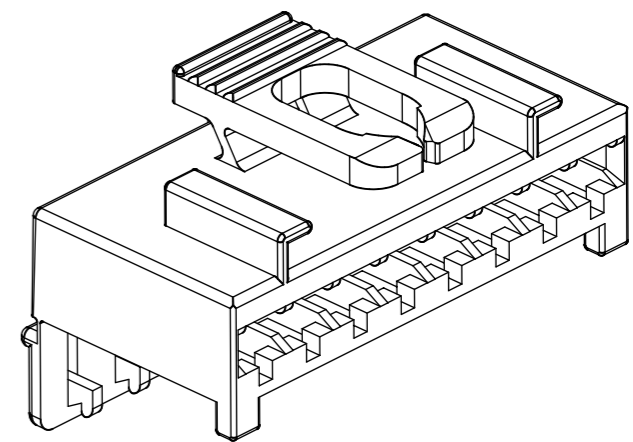
(VEDERE ANCHE FOGLIO SEGUENTE)

(SEE ALSO THE FOLLOWING SHEET)



POLARIZZAZIONE TIPO "A"  
TYPE "A" POLARIZATION

N.° VIE	CODICE HOUSING/TIPO POLARIZZAZIONE HOUSING P/N / POLARIZATION	
CKT No.	A	B
8	94509-5810	94509-5820



POLARIZZAZIONE TIPO "B"  
TYPE "B" POLARIZATION

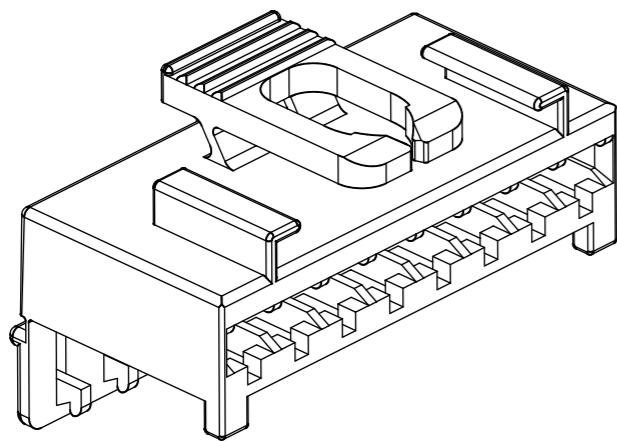
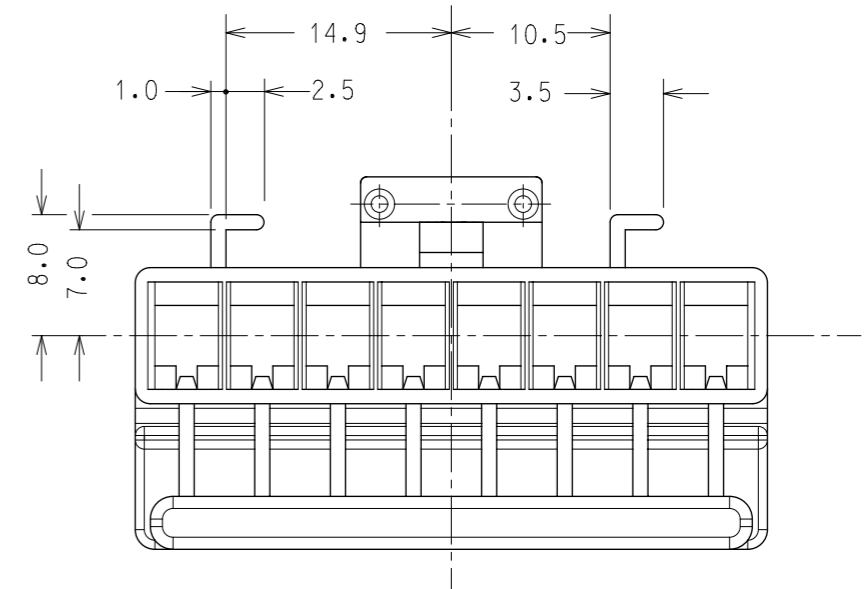
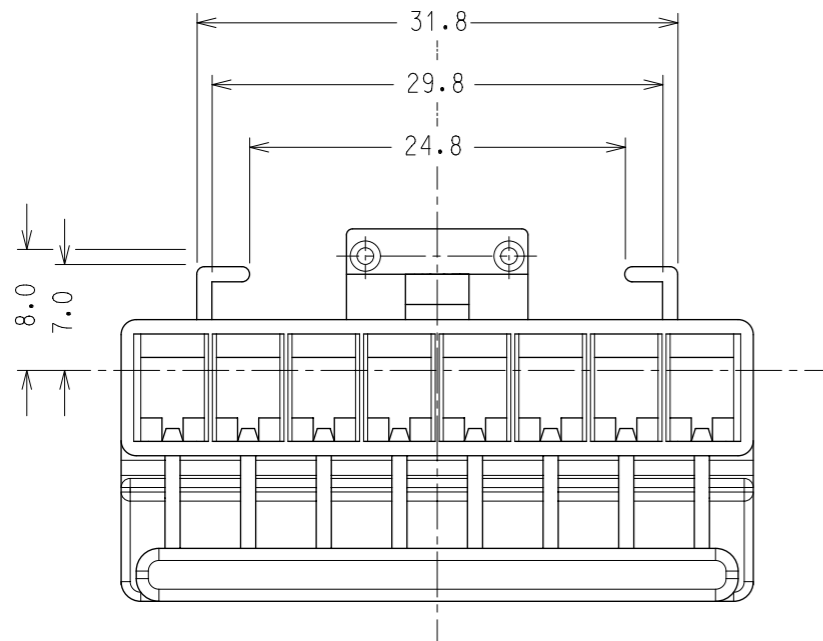
THIS DRAWING CONTAINS INFORMATION THAT IS PROPRIETARY TO MOLEX ELECTRONIC TECHNOLOGIES, LLC AND SHOULD NOT BE USED WITHOUT WRITTEN PERMISSION									
DIMENSION UNITS <b>mm</b>		SCALE <b>2:1</b>		CURRENT REV DESC:				<b>molex</b>	
GENERAL TOLERANCES (UNLESS SPECIFIED)				EC NO: 620398					
		MM	INCH	DRWN: AKUMAR19		2019/01/10		HOUSING FOR STRAIGHT FORK TERMINAL (WITH STEEL PINS)	
4 PLACES		±	±	CHK'D: GGA		2019/10/18		PRODUCT CUSTOMER DRAWING	
3 PLACES		±	±	APPR: GGA		2019/10/18		DOCUMENT NUMBER	
2 PLACES		± 0.1	±	INITIAL REVISION:		1991/01/23		SD-94509-003	
1 PLACE		± 0.2	±	DRWN: SBARBIER		1991/01/24		DOC TYPE	
0 PLACES		±	±	APPR: MPREVIAT		1991/01/24		DOC PART	
ANGULAR TOL		± 2.0°		SERIES		94509		REVISION	
DRAFT WHERE APPLICABLE MUST REMAIN WITHIN DIMENSIONS		FIRST ANGLE PROJECTION		DRAWING		MATERIAL NUMBER		CUSTOMER	
		A3-SIZE		SEE TABLE		FIAT		SHEET NUMBER	
		8 OF 10							



# HOUSINGS A 8 VIE: / 8 CKT HOUSINGS:

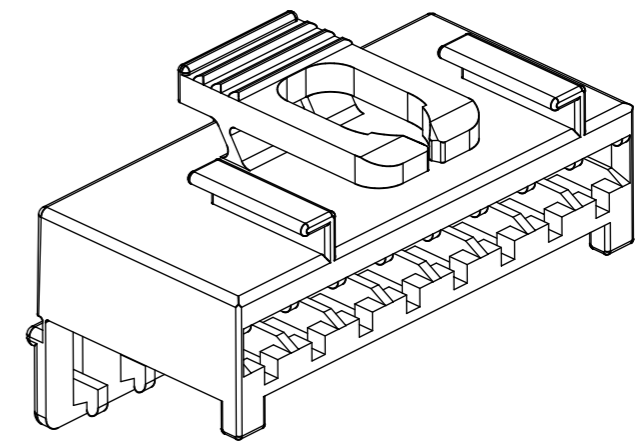
(VEDERE ANCHE FOGLIO PRECEDENTE)

(SEE ALSO THE PREVIOUS SHEET)



POLARIZZAZIONE TIPO "C"  
TYPE "C" POLARIZATION

N.° VIE CKT No.	CODICE HOUSING/TIPO POLARIZZAZIONE HOUSING P/N / POLARIZATION	
	C	D
8	94509-5830	94509-5840

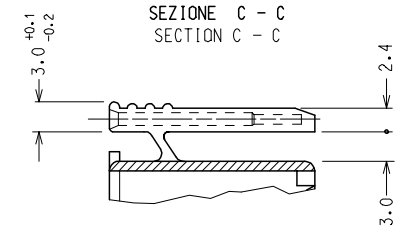
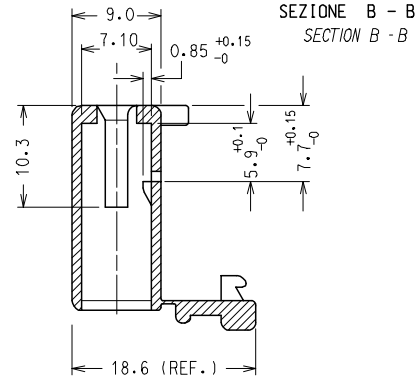
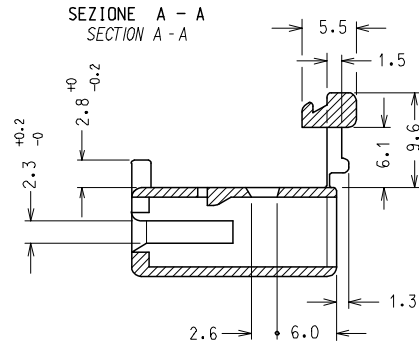


POLARIZZAZIONE TIPO "D"  
TYPE "D" POLARIZATION

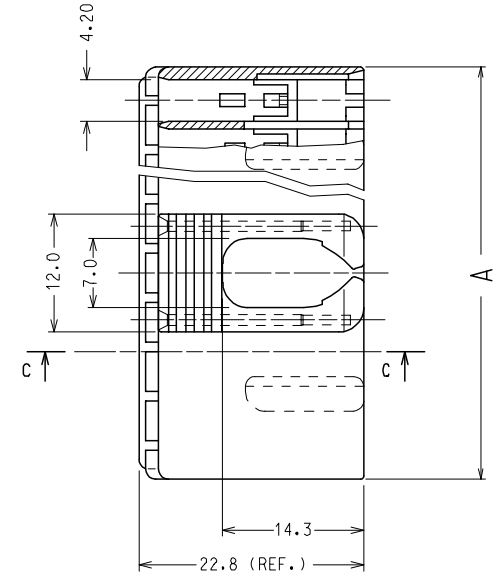
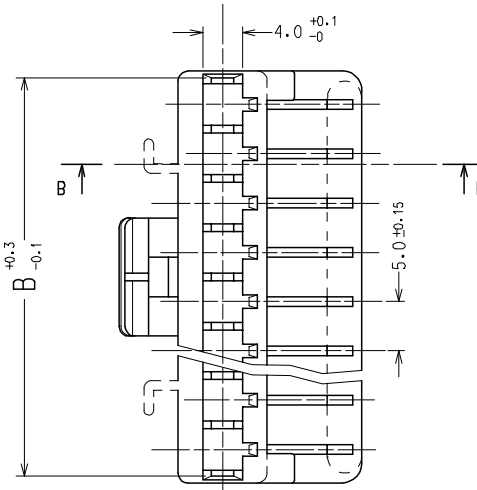
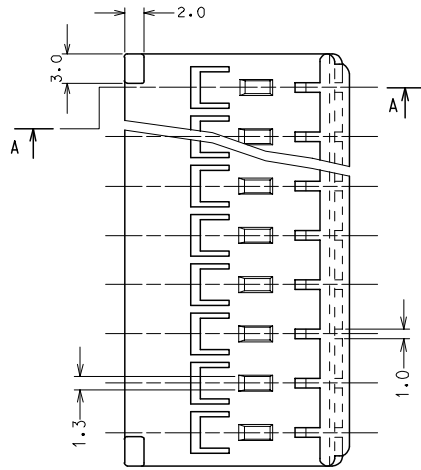
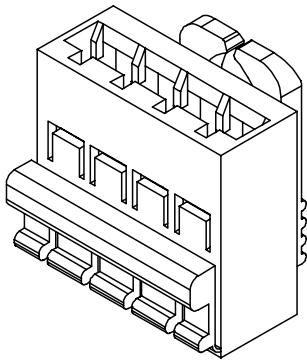
THIS DRAWING CONTAINS INFORMATION THAT IS PROPRIETARY TO MOLEX ELECTRONIC TECHNOLOGIES, LLC AND SHOULD NOT BE USED WITHOUT WRITTEN PERMISSION									
DIMENSION UNITS <b>mm</b>		SCALE <b>2:1</b>		CURRENT REV DESC:				<b>molex</b>	
GENERAL TOLERANCES (UNLESS SPECIFIED)				EC NO: 620398					
		MM	INCH	DRWN: AKUMAR19		2019/01/10		HOUSING FOR STRAIGHT FORK TERMINAL (WITH STEEL PINS)	
4 PLACES		±	±	CHK'D: GGA		2019/10/18		PRODUCT CUSTOMER DRAWING	
3 PLACES		±	±	APPR: GGA		2019/10/18		DOCUMENT NUMBER	
2 PLACES		± 0.1	±	INITIAL REVISION:		1991/01/23		SD-94509-003	
1 PLACE		± 0.2	±	DRWN: SBARBIER		1991/01/24		DOC TYPE	
0 PLACES		±	±	APPR: MPREVIAT		1991/01/24		DOC PART	
ANGULAR TOL		± 2.0°		DRAFT WHERE APPLICABLE MUST REMAIN WITHIN DIMENSIONS		FIRST ANGLE PROJECTION		REVISION	
DRAWING		SERIES		MATERIAL NUMBER		CUSTOMER		SHEET NUMBER	
A3-SIZE		94509		SEE TABLE		FIAT		9 OF 10	



10 9 8 7 6 5 4 3 2 1



VISTA DELL'HOUSING  
CON SECONDARY LOCK CHIUSO  
VIEW OF THE HOUSING WITH  
THE SEC. LOCK IN LOCKED POSITION



**NOTE:**

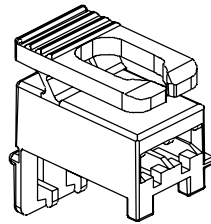
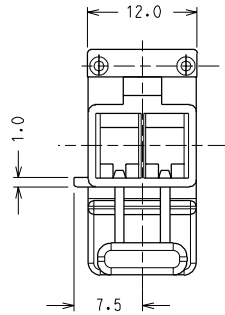
- 1) MATERIALE/ MATERIAL: PA 66 NATURALE/ PA 66 NATURAL COLOR
- 2) PER CODICI, POLARIZZAZIONI, MARCATURE E PACKAGING VEDERE FOGLI SEGUENTI FOR PART NOS, POLARIZATIONS, MARKINGS AND PACKAGING SEE THE FOLLOWING SHEETS
- 3) LE DIMENSIONI VANNO MISURATE CON CORPI STABILIZZATI SECONDO NG 2301 (AUMENTO IN PESO DEL 2.7 %) PARTS SHALL BE DIMENSIONALLY CHECKED AFTER ATTAINING EQUILIBRIUM CONDITIONS E.G. 2.7 % INCREASE IN WEIGHT FOR HUMIDITY ABSORPTION FROM DRY STATUS
- 4) CARATTERISTICHE SECONDO PS 94509 PRODUCT CHARACTERISTICS ACCORDING TO PS 94509 E
- 5) VEDERE FOGLIO 10/10 PER INFORMAZIONI SULLA CONFEZIONE SEE SHEET 10/10 FOR INFORMATION REGARDING THE PACKAGING

N.° VIE CKT.	2	3	4	5	6	7	8
A	11.8	16.8	21.8	26.8	31.8	36.8	41.8
B	10.4	15.4	20.4	25.4	30.4	35.4	40.4

EC NO: Z2005-0030 DRAWN: FGOTTARD 2004/09/23 CHKD: RSANDANO 2004/09/23 APPR: GZUIN 2004/09/23	QUALITY SYMBOLS ▽=0 ▽=0	GENERAL TOLERANCES (UNLESS SPECIFIED)		DIMENSION STYLE MM ONLY	SCALE 2:1	DESIGN UNITS METRIC	FIRST ANGLE PROJECTION		
		4 PLACES ± --- ± --- 3 PLACES ± --- ± --- 2 PLACES ± 0.1 ± --- 1 PLACE ± 0.2 ± --- ANGULAR ± 2 °	mm INCH ± --- ± --- ± --- ± --- ± --- ± --- ± --- ± ---	DRAWN BY SBARBIER	DATE 1995/12/20	TITLE HOUSING FOR STRAIGHT FORK TERMINAL (WITHOUT STEEL PINS)			
		DRAFT WHERE APPLICABLE MUST REMAIN WITHIN DIMENSIONS		APPROVED BY MPREVIAT	DATE 1995/12/20	MOLEX INCORPORATED			
		SEE CHART		MATERIAL NO.	DOCUMENT NO. SD-94509-009	SHEET NO. 1 OF 10			

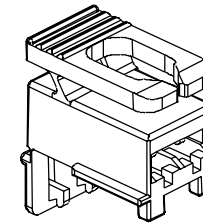
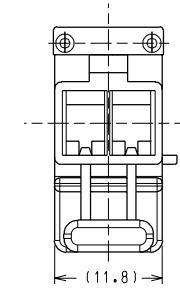
9 8 7 6 5 4 3 2 1

# HOUSINGS A 2 VIE: / 2 CKT HOUSINGS:



POLARIZZAZIONE TIPO "A"  
TYPE "A" POLARIZATION

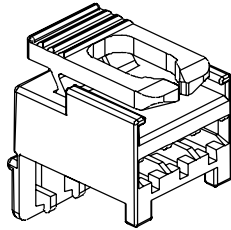
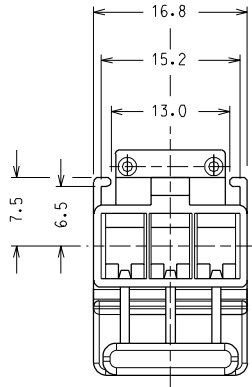
N.° VIE	CODICE HOUSING/TIPO POLARIZZAZIONE HOUSING P/N / POLARIZATION	
CKT No.	A	B
2	94509-5210	94509-5220



POLARIZZAZIONE TIPO "B"  
TYPE "B" POLARIZATION

EC NO. Z9-139 DRWNS. BARBIERI 26-03-99 CHK: S. SORATO 29-03-99 APPR: R. MARTUCCI 29-03-99	QUALITY SYMBOLS MAJOR M = SIGNIF. S = CRITICAL C =	GENERAL TOLERANCES: (UNLESS SPECIFIED)		SCALE 2:1	DESIGN UNITS <input checked="" type="checkbox"/> mm <input type="checkbox"/> INCH	DIMENSIONS: <input type="checkbox"/> mm <input type="checkbox"/> INCH <input type="checkbox"/> mm <input checked="" type="checkbox"/> ONLY	SHT	REV
		4 PLACES ±0.	±.	DRAWN BY & DATE S. BARBIERI 20-12-95	TITLE: HOUSING PER TERM. A FORCELLA DIRITTO (SENZA PINS IN ACCIAIO) HOUSING FOR STRAIGHT FORK TERMINAL (WITHOUT STEEL PINS)			
B1	REV	3 PLACES ±0.	±.	CHECKED BY & DATE	APPROVED BY & DATE M. PREVIATO 20-12-95	MATERIAL NO. SEE TABLES	DRAWING NO. SD-94509-009	SHEET NO. 2/10
		2 PLACES ±0.1	±.	ANGULAR: ± 2°	CAD FILENAME 94509009.S01			
DRAFT WHERE APPLICABLE MUST REMAIN WITHIN DIMENSIONS		1 PLACE ±0.2	±.					

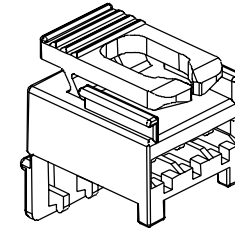
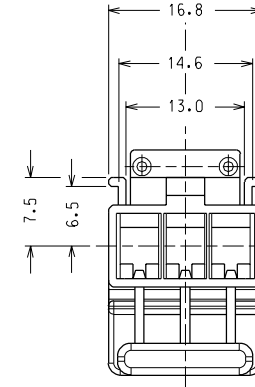
# HOUSINGS A 3 VIE: / 3 CKT HOUSINGS:



POLARIZZAZIONE TIPO "A"  
TYPE "A" POLARIZATION

N.° VIE	CODICE HOUSING/TIPO POLARIZZAZIONE HOUSING P/N / POLARIZATION	
	A	B
CKT No.	3	3
	94509-9310 *	94509-9320

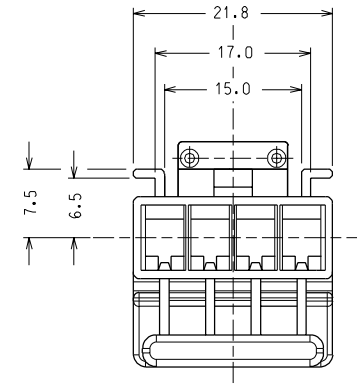
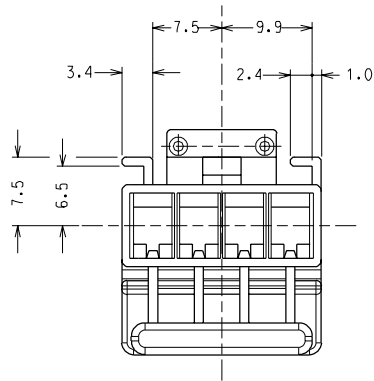
\* VERSIONE NON ATTEZZATA  
NOT TOOLED



POLARIZZAZIONE TIPO "B"  
TYPE "B" POLARIZATION

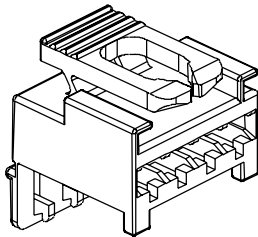
EC NO. Z9-139 DRWNS. BARBIERI 26-03-99 CHK: S. SORATO 29-03-99 APPR: R. MARTUCCI 29-03-99	QUALITY SYMBOLS MAJOR M = SIGNIF. S = CRITICAL C =	GENERAL TOLERANCES: (UNLESS SPECIFIED)		SCALE 2:1	DESIGN UNITS <input checked="" type="checkbox"/> mm <input type="checkbox"/> INCH	DIMENSIONS: <input type="checkbox"/> mm <input type="checkbox"/> INCH <input type="checkbox"/> mm <input checked="" type="checkbox"/> INCH ONLY	SHT	REV
		4 PLACES ±0.1	±0.1	DRAWN BY & DATE S. BARBIERI 20-12-95	FIRST ANGLE PROJECTION	TITLE: HOUSING PER TERM. A FORCELLA DIRITTO (SENZA PINS IN ACCIAIO) HOUSING FOR STRAIGHT FORK TERMINAL (WITHOUT STEEL PINS)		REVISION ON CAD ONLY
B1	REV	3 PLACES ±0.2	±0.2	CHECKED BY & DATE	APPROVED BY & DATE M. PREVIATO 20-12-95	MATERIAL NO. SEE TABLES	DRAWING NO. SD-94509-009	SHEET NO. 3/10
		2 PLACES ±0.1	±0.1	ANGULAR: ± 2°	CAD FILENAME 94509009.S02			
DRAFT WHERE APPLICABLE MUST REMAIN WITHIN DIMENSIONS		THIS DRAWING CONTAINS INFORMATION THAT IS PROPRIETARY TO MOLEX INCORPORATED AND SHOULD NOT BE USED WITHOUT WRITTEN PERMISSION.						SIZE A3

# HOUSINGS A 4 VIE: / 4 CKT HOUSINGS:

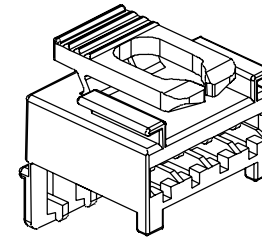


N.° VIE	CODICE HOUSING/TIPO POLARIZZAZIONE	
	HOUSING P/N / POLARIZATION	
CKT No.	A	B
4	94509-9410 *	94509-9420

\* VERSIONE NON ATTEZZATA  
NOT TOOLED



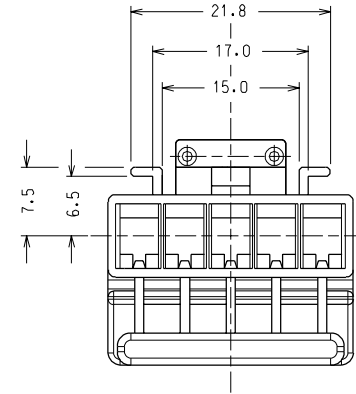
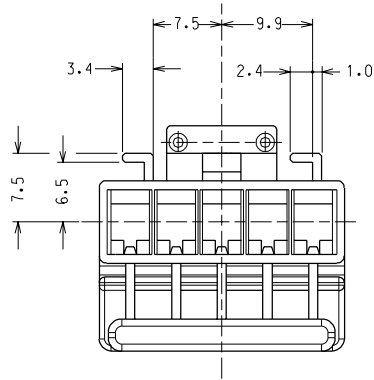
POLARIZZAZIONE TIPO "A"  
TYPE "A" POLARIZATION



POLARIZZAZIONE TIPO "B"  
TYPE "B" POLARIZATION

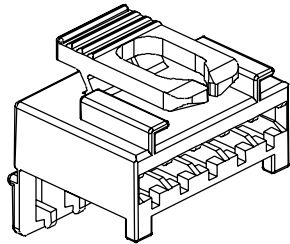
EC NO. Z9-139 DRWNS. BARBIERI 26-03-99 CHK: S. SORATO 29-03-99 APPR: R. MARTUCCI 29-03-99	QUALITY SYMBOLS MAJOR M = SIGNIF. S = CRITICAL C =	GENERAL TOLERANCES: (UNLESS SPECIFIED)		SCALE 2:1	DESIGN UNITS <input checked="" type="checkbox"/> mm <input type="checkbox"/> INCH	DIMENSIONS: <input type="checkbox"/> mm <input type="checkbox"/> INCH <input type="checkbox"/> mm <input checked="" type="checkbox"/> ONLY	SHT	REV
		4 PLACES ±0.1	±0.2	DRAWN BY & DATE S. BARBIERI 20-12-95	TITLE: HOUSING PER TERM. A FORCELLA DIRITTO (SENZA PINS IN ACCIAIO) HOUSING FOR STRAIGHT FORK TERMINAL (WITHOUT STEEL PINS)			REVISE ON CAD ONLY
B1	REV	3 PLACES ±0.1	±0.2	CHECKED BY & DATE	APPROVED BY & DATE M. PREVIATO 20-12-95		MATERIAL NO. DRAWING NO. SHEET NO. SEE TABLES SD-94509-009 4/10	
		2 PLACES ±0.1	±0.2	APPROVED BY & DATE	CAD FILENAME 94509009.S03		THIS DRAWING CONTAINS INFORMATION THAT IS PROPRIETARY TO MOLEX INCORPORATED AND SHOULD NOT BE USED WITHOUT WRITTEN PERMISSION.	
		1 PLACE ±0.2	±0.2	ANGULAR: ± 2°		DRAFT WHERE APPLICABLE MUST REMAIN WITHIN DIMENSIONS		SIZE A3

# HOUSINGS A 5 VIE: / 5 CKT HOUSINGS:

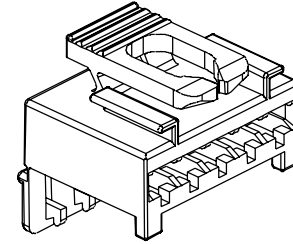


N.° VIE	CODICE HOUSING/TIPO POLARIZZAZIONE	
CKT No.	HOUSING P/N / POLARIZATION	
	A	B
5	94509-9510 *	94509-9520

\* VERSIONE NON ATTREZZATA  
NOT TOOLED



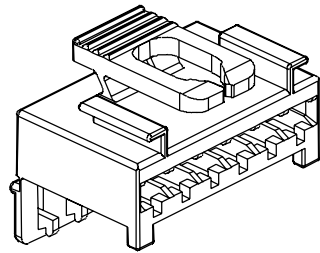
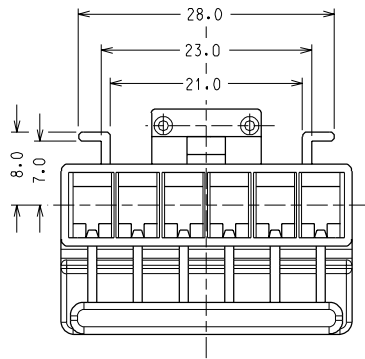
POLARIZZAZIONE TIPO "A"  
TYPE "A" POLARIZATION



POLARIZZAZIONE TIPO "B"  
TYPE "B" POLARIZATION

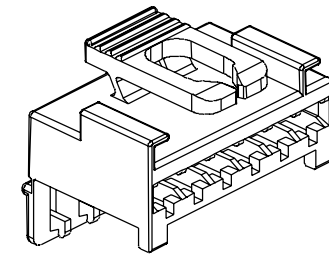
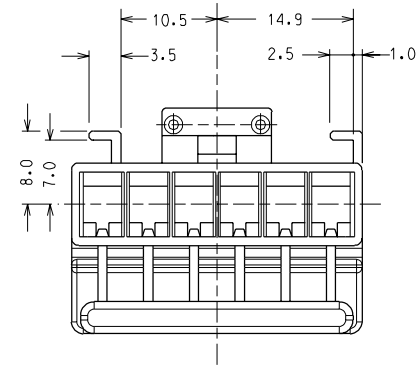
EC NO. Z9-139 DRWNS. BARBIERI 26-03-99 CHK: S. SORATO 29-03-99 APPR: R. MARTUCCI 29-03-99	QUALITY SYMBOLS MAJOR M = SIGNIF. S = CRITICAL C =	GENERAL TOLERANCES: (UNLESS SPECIFIED)		SCALE 2:1	DESIGN UNITS <input checked="" type="checkbox"/> mm <input type="checkbox"/> INCH	DIMENSIONS: <input type="checkbox"/> mm <input type="checkbox"/> INCH <input type="checkbox"/> mm <input checked="" type="checkbox"/> ONLY	SHT	REV
		4 PLACES ±0.	±	DRAWN BY & DATE S. BARBIERI 23-01-91	TITLE: HOUSING PER TERM. A FORCELLA DIRITTO (SENZA PINS IN ACCIAIO) HOUSING FOR STRAIGHT FORK TERMINAL (WITHOUT STEEL PINS)			
B1	REV	3 PLACES ±0.	±	CHECKED BY & DATE	MATERIAL NO. DRAWING NO. SHEET NO. SEE TABLES SD-94509-009 5/10			
		2 PLACES ±0.1	±	APPROVED BY & DATE M. PREVIATO 24-01-91	THIS DRAWING CONTAINS INFORMATION THAT IS PROPRIETARY TO MOLEX INCORPORATED AND SHOULD NOT BE USED WITHOUT WRITTEN PERMISSION.			
		1 PLACE ±0.2	±	CAD FILENAME 94509009.S04	SIZE A3			
		ANGULAR: ± 2°		DRAFT WHERE APPLICABLE MUST REMAIN WITHIN DIMENSIONS				

# HOUSINGS A 6 VIE: / 6 CKT HOUSINGS:



POLARIZZAZIONE TIPO "A"  
TYPE "A" POLARIZATION

N.° VIE	CODICE HOUSING/TIPO POLARIZZAZIONE HOUSING P/N / POLARIZATION	
CKT No.	A	B
6	94509-9610	94509-9620

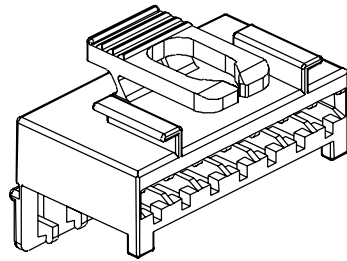
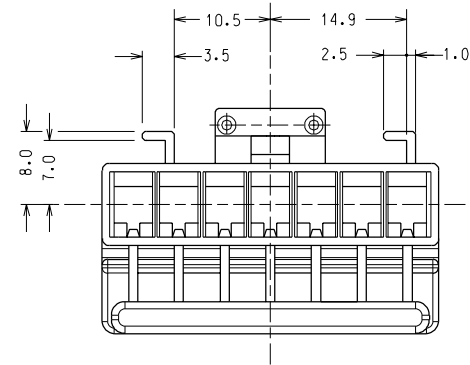
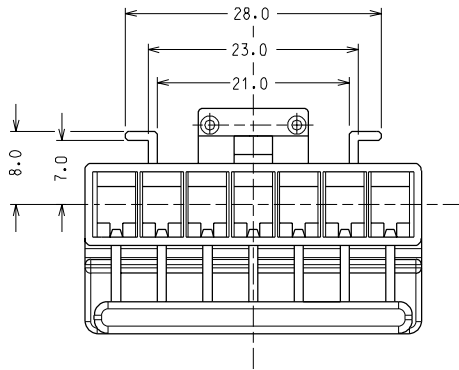


POLARIZZAZIONE TIPO "B"  
TYPE "B" POLARIZATION

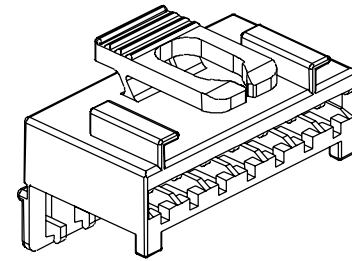
EC NO. Z9-139 DRWNS. BARBIERI 26-03-99 CHK: S. SORATO 29-03-99 APPR: R. MARTUCCI 29-03-99	QUALITY SYMBOLS MAJOR M = SIGNIF. S = CRITICAL C =	GENERAL TOLERANCES: (UNLESS SPECIFIED)		SCALE 2:1	DESIGN UNITS <input checked="" type="checkbox"/> mm <input type="checkbox"/> INCH	DIMENSIONS: <input type="checkbox"/> mm <input type="checkbox"/> INCH <input checked="" type="checkbox"/> mm ONLY	SHT	REV	
		4 PLACES ±0.1	±0.1	DRAWN BY & DATE S. BARBIERI 20-12-95	TITLE: HOUSING PER TERM. A FORCELLA DIRITTO (SENZA PINS IN ACCIAIO) HOUSING FOR STRAIGHT FORK TERMINAL (WITHOUT STEEL PINS)				
B1	REV	3 PLACES ±0.2	±0.2	CHECKED BY & DATE	APPROVED BY & DATE M. PREVIATO 20-12-95				
		2 PLACES ±0.1	±0.1	MATERIAL NO. DRAWING NO. SHEET NO. SEE TABLES SD-94509-009 6/10		MATERIAL NO. DRAWING NO. SHEET NO. SD-94509-009 6/10			
		1 PLACE ±0.2	±0.2	CAD FILENAME 94509009.S05	THIS DRAWING CONTAINS INFORMATION THAT IS PROPRIETARY TO MOLEX INCORPORATED AND SHOULD NOT BE USED WITHOUT WRITTEN PERMISSION.				
		ANGULAR: ± 2°		DRAFT WHERE APPLICABLE MUST REMAIN WITHIN DIMENSIONS				SIZE A3	



# HOUSINGS A 7 VIE: / 7 CKT HOUSINGS:



POLARIZZAZIONE TIPO "A"  
TYPE "A" POLARIZATION



POLARIZZAZIONE TIPO "B"  
TYPE "B" POLARIZATION

N.° VIE	CODICE HOUSING/TIPO POLARIZZAZIONE HOUSING P/N / POLARIZATION	
CKT No.	A	B
7	94509-9710 *	94509-9720 *

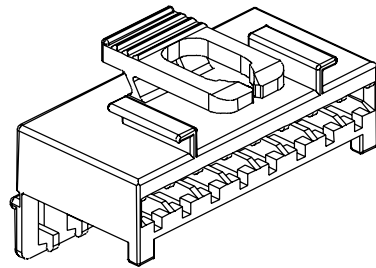
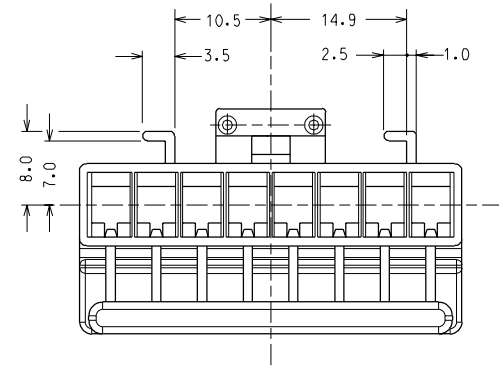
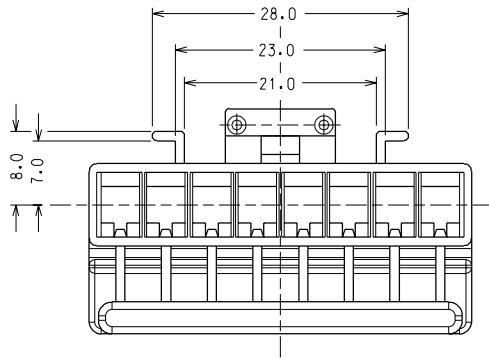
\* VERSIONE NON ATTREZZATA  
NOT TOOLED

EC NO. Z9-139 DRWNS. BARBIERI 26-03-99 CHK: S. SORATO 29-03-99 APPR: M. MARTUCCI 29-03-99	QUALITY SYMBOLS MAJOR M = SIGNIF. S = CRITICAL C =	GENERAL TOLERANCES: (UNLESS SPECIFIED)		SCALE 2:1	DESIGN UNITS <input checked="" type="checkbox"/> mm <input type="checkbox"/> INCH	DIMENSIONS: <input type="checkbox"/> mm <input type="checkbox"/> INCH <input checked="" type="checkbox"/> mm <input type="checkbox"/> ONLY	SHT	REV
		4 PLACES ±0.1	±0.2	DRAWN BY & DATE S. BARBIERI 20-12-95	FIRST ANGLE PROJECTION	TITLE: HOUSING PER TERM. A FORCELLA DIRITTO (SENZA PINS IN ACCIAIO) HOUSING FOR STRAIGHT FORK TERMINAL (WITHOUT STEEL PINS)	REVISION ON CAD ONLY	
B1	REV	3 PLACES ±0.1	±0.2	CHECKED BY & DATE	APPROVED BY & DATE M. PREVIATO 20-12-95	MATERIAL NO. SEE TABLES	DRAWING NO. SD-94509-009	SHEET NO. 7/10
		2 PLACES ±0.1	±0.2	ANGULAR: ± 2°	CAD FILENAME 94509009.S06			
DRAFT WHERE APPLICABLE MUST REMAIN WITHIN DIMENSIONS		THIS DRAWING CONTAINS INFORMATION THAT IS PROPRIETARY TO MOLEX INCORPORATED AND SHOULD NOT BE USED WITHOUT WRITTEN PERMISSION.						

# HOUSINGS A 8 VIE: / 8 CKT HOUSINGS:

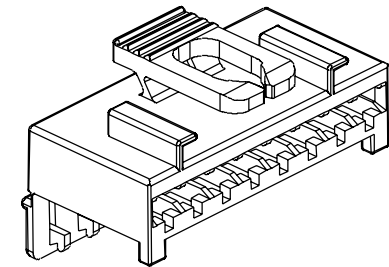
(VEDERE ANCHE FOGLIO SEGUENTE)

(SEE ALSO THE FOLLOWING SHEET)



POLARIZZAZIONE TIPO "A"  
TYPE "A" POLARIZATION

N.° VIE	CODICE HOUSING/TIPO POLARIZZAZIONE	
CKT No.	HOUSING P/N / POLARIZATION	
	A	B
8	94509-9810	94509-9820



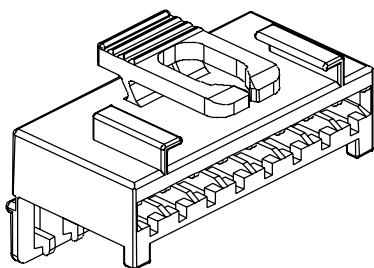
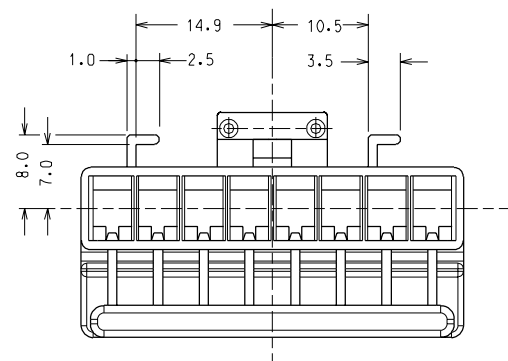
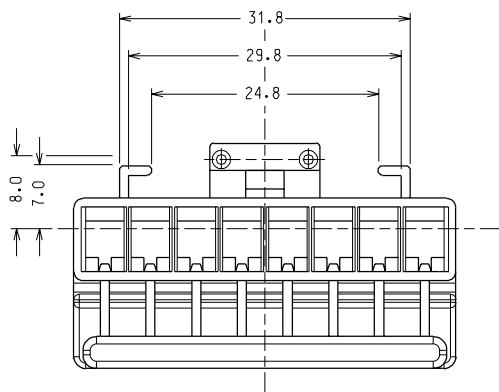
POLARIZZAZIONE TIPO "B"  
TYPE "B" POLARIZATION

EC NO. Z9-139 DRWNS. BARBIERI 26-03-99 CHK: S. SORATO 29-03-99 APPR: R. MARTUCCI 29-03-99	QUALITY SYMBOLS MAJOR M SIGNIF. S CRITICAL C	GENERAL TOLERANCES: (UNLESS SPECIFIED)		SCALE 2:1	DESIGN UNITS <input checked="" type="checkbox"/> mm <input type="checkbox"/> INCH	DIMENSIONS: <input type="checkbox"/> mm <input type="checkbox"/> INCH <input checked="" type="checkbox"/> mm ONLY	SHT REV
		4 PLACES ±0.1 3 PLACES ±0.2 2 PLACES ±0.1 1 PLACE ±0.2	mm INCH ± <sub>0</sub> ± <sub>0</sub> ± <sub>0.1</sub> ± <sub>0</sub> ± <sub>0.2</sub> ± <sub>0</sub>	DRAWN BY & DATE S. BARBIERI 20-12-95	CHECKED BY & DATE	TITLE: HOUSING PER TERM. A FORCELLA DIRITTO (SENZA PINS IN ACCIAIO) HOUSING FOR STRAIGHT FORK TERMINAL (WITHOUT STEEL PINS)	
B1	REV	ANGULAR: ± 2°		APPROVED BY & DATE M. PREVIATO 20-12-95	CAD FILENAME 94509009.S07	MOLEX INCORPORATED	SHEET NO. 8/10
		DRAFT WHERE APPLICABLE MUST REMAIN WITHIN DIMENSIONS		THIS DRAWING CONTAINS INFORMATION THAT IS PROPRIETARY TO MOLEX INCORPORATED AND SHOULD NOT BE USED WITHOUT WRITTEN PERMISSION.			SIZE A3

# HOUSINGS A 8 VIE: / 8 CKT HOUSINGS:

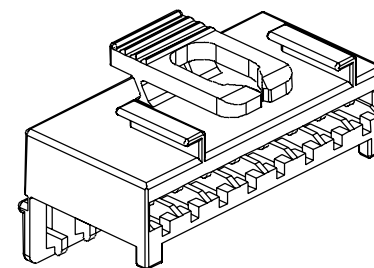
(VEDERE ANCHE FOGLIO PRECEDENTE)

(SEE ALSO THE PREVIOUS SHEET)



POLARIZZAZIONE TIPO "C"  
TYPE "C" POLARIZATION

N.° VIE	CODICE HOUSING/TIPO POLARIZZAZIONE	
CKT No.	HOUSING P/N / POLARIZATION	
	C	D
8	94509-9830	94509-9840







POLARIZZAZIONE TIPO "D"  
TYPE "D" POLARIZATION

EC NO. Z9-139 DRWNS. BARBIERI 26-03-99 CHK: S. SORATO 29-03-99 APPR: R. MARTUCCI 29-03-99	QUALITY SYMBOLS MAJOR M SIGNIF. S CRITICAL C	GENERAL TOLERANCES: (UNLESS SPECIFIED)		SCALE 2:1	DESIGN UNITS <input checked="" type="checkbox"/> mm <input type="checkbox"/> INCH	DIMENSIONS: <input type="checkbox"/> mm <input type="checkbox"/> INCH <input checked="" type="checkbox"/> mm ONLY	SHT	REV
		4 PLACES ±0.1	±0.2	DRAWN BY & DATE S. BARBIERI 20-12-95	FIRST ANGLE PROJECTION	TITLE: HOUSING PER TERM. A FORCELLA DIRITTO (SENZA PINS IN ACCIAIO) HOUSING FOR STRAIGHT FORK TERMINAL (WITHOUT STEEL PINS)		REVISION ON CAD ONLY
B1	REV	3 PLACES ±0.2	±0.1	CHECKED BY & DATE	APPROVED BY & DATE M. PREVIATO 20-12-95	MATERIAL NO. SEE TABLES	DRAWING NO. SD-94509-009	SHEET NO. 9/10
		2 PLACES ±0.1	±0.2	ANGULAR: ± 2°	CAD FILENAME 94509009.S08			
DRAFT WHERE APPLICABLE MUST REMAIN WITHIN DIMENSIONS		THIS DRAWING CONTAINS INFORMATION THAT IS PROPRIETARY TO MOLEX INCORPORATED AND SHOULD NOT BE USED WITHOUT WRITTEN PERMISSION.						

# CONFEZIONE - PACKAGING

I PEZZI SONO CONFEZIONATI IN SACCHETTI DI PLASTICA POSTI IN SCATOLE DI CARTONE  
 PARTS ARE PACKED IN PLASTIC BAGS PUT IN CARTON BOXES

CKT No.	HOUSING P/N - POLARIZATION				STD PACK. QUANTITY
	A	B	C	D	
2	94509-5210	94509-5220			7500
3	94509-9310	94509-9320			5500
4	94509-9410	94509-9420			3000
5	94509-9510	94509-9520			3300
6	94509-9610	94509-9620			2800
7	94509-9710	94509-9720			1500
8	94509-9810	94509-9820	94509-9830	94509-9840	2000

EC NO. SEE SHT 1 DRWN: CHK: APPR:	DESCRIPTION REV	QUALITY SYMBOLS MAJOR  = SIGNIF.  = CRITICAL  =	GENERAL TOLERANCES: (UNLESS SPECIFIED)	SCALE 2:1	DESIGN UNITS <input checked="" type="checkbox"/> mm <input type="checkbox"/> INCH	FIRST ANGLE PROJECTION 	DIMENSIONS: <input type="checkbox"/> mm <input type="checkbox"/> INCH <input checked="" type="checkbox"/> mm ONLY	SHT REV		
		DRAWN BY & DATE S. BARBIERI 26-03-99	CHECKED BY & DATE S. SORATO 29-03-99	APPROVED BY & DATE R. MARTUCCI 29-03-99	CAD FILENAME 94509009.S09	MATERIAL NO. SEE TABLES	DRAWING NO. SD-94509-009	SHEET NO. 10/10	REVISIONS REVISE ON CAD ONLY	
		TITLE: HOUSING PER TERM. A FORCELLA DIRITTO (SENZA PINS IN ACCIAIO) HOUSING FOR STRAIGHT FORK TERMINAL (WITHOUT STEEL PINS)			MOLEX INCORPORATED			DRAFT WHERE APPLICABLE MUST REMAIN WITHIN DIMENSIONS		THIS DRAWING CONTAINS INFORMATION THAT IS PROPRIETARY TO MOLEX INCORPORATED AND SHOULD NOT BE USED WITHOUT WRITTEN PERMISSION.
		EC NO. SEE SHT 1 DRWN: CHK: APPR:			DRAFT WHERE APPLICABLE MUST REMAIN WITHIN DIMENSIONS			SIZE A3		