

GENERAL INSTRUMENT	AY-5-8126/8126T <sup>035107</sup> AY-5-8146/8146T } 5
--------------------	---

34      Res      Orig  
005645  
5645      GI

## SINGLE BAUD RATE GENERATOR

### FEATURES

- Single +5V power supply
- On-chip crystal oscillator 8126/8146 or external freq. input 8126/8126T/8146/8146T
- Direct compatibility with UART/USRT
- Choice of 16x clock outputs
- High freq. reference output (Available only on 8146/8146T)
- Reprogrammable ROM allowing generation of non-standard frequencies
- TTL, MOS compatibility
- Pin for pin and functionally compatible with SMC's COM 8126/8126T/8146/8146T
- General Instrument Advanced N-Channel Silicon Gate Process

### DESCRIPTION

The General Instrument AY-5-8126/8146 Series is a very versatile family of Single Baud Rate Generators. The AY-5-8126/8126T and AY-5-8146/8146T are pin for pin functionally equivalent to SMC's COM 8126/8126T and COM 8146/8146T, respectively.

The AY-5-8126/8146 is designed to generate the full spectrum of 16 asynchronous/synchronous data communication frequencies for use with 16X and 32X UART/USRT devices.

An on-chip crystal oscillator available on the 8126 and 8146 is capable of providing a master reference frequency. Alternatively, complimentary TTL level clock signals can be input to pins 1 and 2. The 8126T and 8146T are only suitable for this external TTL reference. When using TTL outputs to drive the XTAL/EXT inputs, they should not be used to drive other TTL inputs due to excessive loading which may result in a reduction of noise immunity.

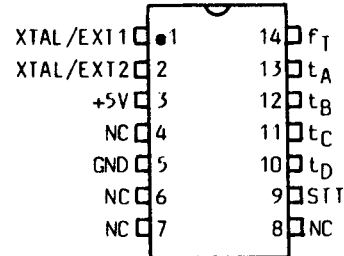
Dividers are used on the output of the oscillator/buffer which generate the output frequency  $f_T$ . This divider can divide any integer from 6 to  $2^{19} + 1$ , inclusive. When using an even divisor, the output will be square; an odd divisor will cause the output to be high longer

### PIN CONFIGURATIONS

#### 14 LEAD DUAL IN LINE

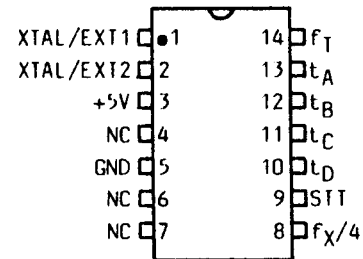
AY-5-8126/8126T

TOP VIEW



AY-5-8146/8146T

TOP VIEW



than it is low by one clock period ( $f_X$ ). The clock frequency ( $f_X$ ) is used by the 8146/8146T to provide a high frequency output ( $f_X/4$ ).

The 8126/8146 family allows generation of other frequencies with the use of its two divisor ROMs which contain 16 divisors, each 19 bits wide, allowing for up to 32 different divisors on custom parts.

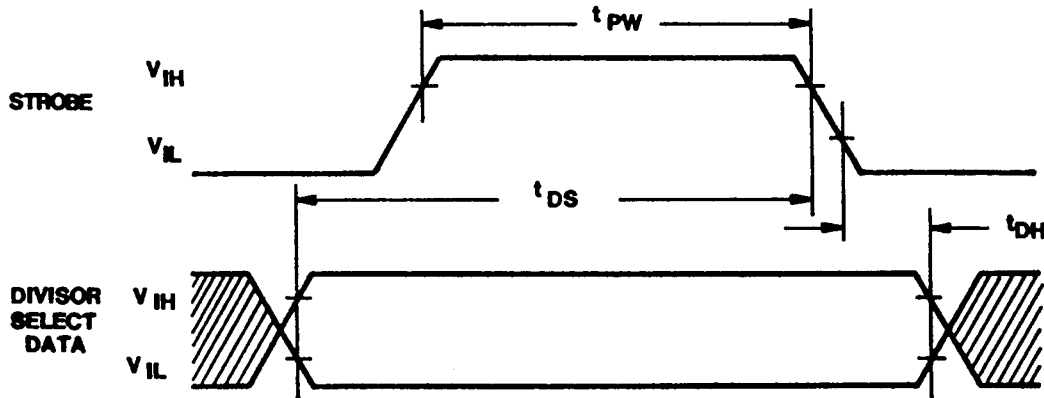
Externally strobed data latches are used to hold the divisor select bit  $t_A-t_D$ . The strobe input SIT, allows data to pass directly through the data latch when in the high state. A new frequency is initiated within 3.5 usec of a change in any of the four divisor select bits read by the device. Pull-up resistors are provided on the divisor select inputs while are not present on the strobe inputs.

GENERAL INSTRUMENT	AY-5-8126/8126T AY-5-8146/8146T
--------------------	------------------------------------

PIN FUNCTIONS

Pin No.	Signal	Function
1	XIAL/EXT1	Input is either one pin of the crystal package or one polarity of the external input. This input is either the other pin of the crystal package or the other polarity of the external input.
2	XTAL/EXT2	
3	V <sub>CC</sub>	Positive power supply - normally +5V.
4	NC	Ground.
5	GND	
6-7	NC	
8	NC or f <sub>X</sub> /4	NC (8126/8126T), f <sub>X</sub> /4 (8146/8146T).
9	STT	A high level input strobe loads the transmitter data (I <sub>A</sub> , I <sub>B</sub> , I <sub>C</sub> , I <sub>D</sub> ) into the transmitter divisor select register. This input may be strobed or hard-wired to a high level.
10-13	I <sub>D</sub> , I <sub>C</sub> , I <sub>B</sub> , I <sub>A</sub>	These inputs, as shown in Table 1, select the transmitter output frequency, f <sub>T</sub> .
14	f <sub>T</sub>	This output runs at a frequency selected by the transmitter divisor select data bits.

TIMING DIAGRAM



GENERAL INSTRUMENT	AY-5-8126/8126T AY-5-8146/8146T
-----------------------	------------------------------------

**ELECTRICAL CHARACTERISTICS**

**Maximum Ratings\***  
 Operating Temperature Range..... 0°C to +70°C  
 Storage Temperature Range..... -55°C to +150°C  
 Positive Voltage on any Pin,  
 with respect to ground..... +8.0V  
 Negative Voltage on any Pin,  
 with respect to ground..... -0.3V

\*Exceeding these ratings could cause permanent damage to the device. This is a stress rating only and functional operation of this device at these conditions is not implied. Operating ranges are specified in Standard Conditions. Exposure to absolute maximum rating conditions for extended periods may affect device reliability.

**Standard Conditions** (unless otherwise noted):  
 $T_A = 0^\circ\text{C to } 70^\circ\text{C}$ ,  $V_{CC} = +5V \pm 5\%$

Data labeled "typical" is presented for design guidance only and is not guaranteed.

**DC CHARACTERISTICS**

Characteristic	Sym	Min	Typ	Max	Unit	Conditions
<b>INPUT VOLTAGE LEVELS</b>						
Low Level	$V_{IL}$	-	-	0.8	V	excluding XTAL inputs
High Level	$V_{IH}$	2.0	-	-	V	
<b>OUTPUT VOLTAGE LEVELS</b>						
Low Level	$V_{OL}$	-	-	0.4	V	$I_{OL} = 1.6\text{mA}$ , for $f_X/4$ ,
		-	-	0.4	V	$I_{OL} = 3.2\text{mA}$ , for $f_I$
High Level	$V_{OH}$	3.5	-	-	V	$I_{OH} = 100\mu\text{A}$
<b>INPUT CURRENT</b>						
Low-level	$I_{IL}$	-	-	-0.1	mA	$V_{IN} = \text{GND}$ , $I_A - I_D$ only
Input Capacitance All inputs		-	5	10	pF	$V_{IN} = \text{GND}$ , excluding XTAL inputs
Power Supply Current	$I_{CC}$	-	-	50	mA	

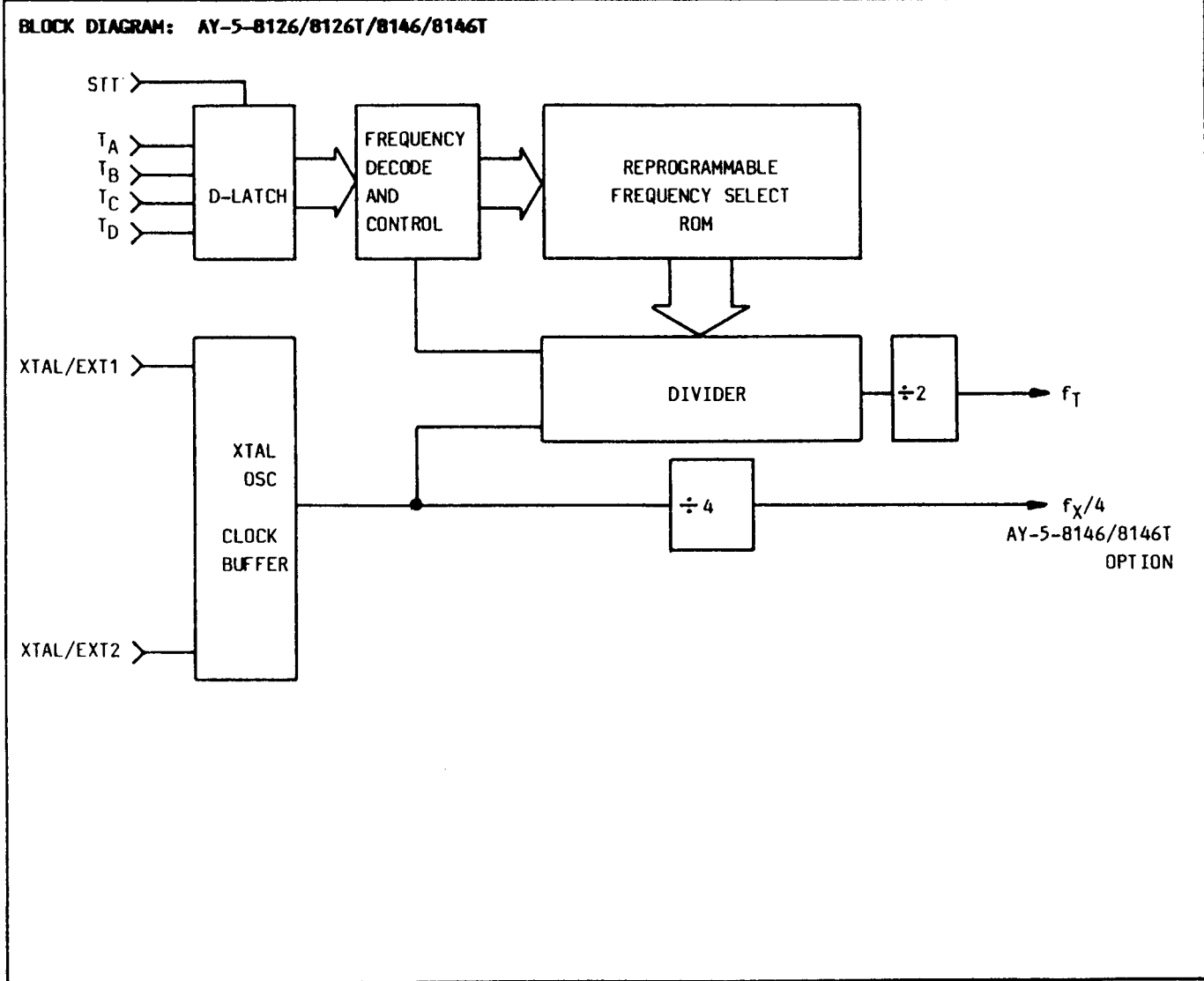
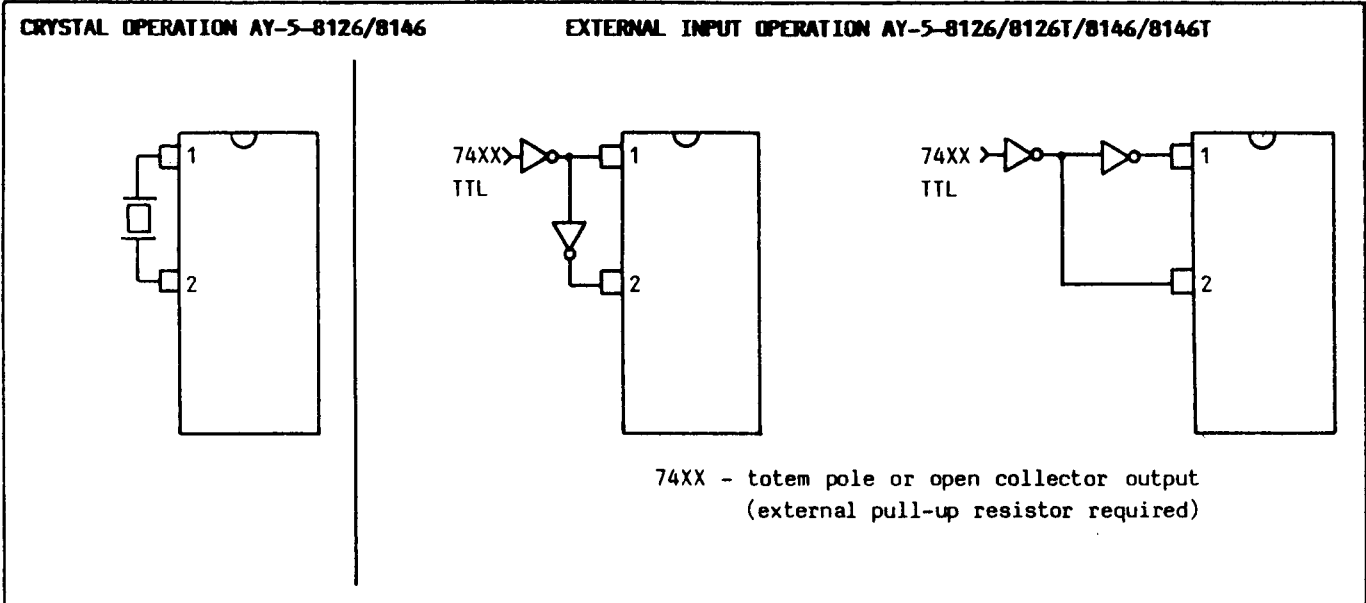
**AC CHARACTERISTICS**

Characteristic	Sym	Min	Typ	Max	Unit	Conditions
Clock Frequency	$f_X$	0.01	-	5.1	MHz	XTAL/EXT, 50% Duty Cycle $\pm 5\%$
Strobe Pulse Width	$t_{PW}$	150	-	DC	ns	
Input Set-up Time	$t_{DS}$	200	-	-	ns	
Input Hold Time	$t_{DH}$	50	-	-	ns	
Strobe to new Frequency Delay		-	-	3.5	$\mu\text{s}$	@ $f_X = 5.0 \text{ MHz}$

**CRYSTAL SPECIFICATIONS**

Temperature range 0°C to +70°C  
 Series resistance  $\leq 50\Omega$   
 Series resonant  
 Overall tolerance  $\pm 0.01\%$

GENERAL INSTRUMENT	AY-5-8126/8126T AY-5-8146/8146T
--------------------	------------------------------------



GENERAL  
INSTRUMENT

AY-5-8126/8126T  
AY-5-8146/8146T

TABLE 1

Output Freq. AY-5-8126/8126T/8146/8146T

REFERENCE FREQUENCY = 5.068800MHz

Divisor Select DCBA	Desired Baud Rate	Clock Factor	Desired Frequency (KHz)	Divisor	Actual Baud Rate	Actual Frequency (KHz)	Deviation
0000	50.00	16X	0.80000	6336	50.00	0.800000	0.0000%
0001	75.00	16X	1.20000	4224	75.00	1.200000	0.0000%
0010	110.00	16X	1.76000	2880	110.00	1.760000	0.0000%
0011	134.50	16X	2.15200	2355	134.52	2.152357	0.0166%
0100	150.00	16X	2.40000	2112	150.00	2.400000	0.0000%
0101	300.00	16X	4.80000	1056	300.00	4.800000	0.0000%
0110	600.00	16X	9.60000	528	600.00	9.600000	0.0000%
0111	1200.00	16X	19.20000	264	1200.00	19.200000	0.0000%
1000	1800.00	16X	28.80000	176	1800.00	28.800000	0.0000%
1001	2000.00	16X	32.00000	158	2005.06	32.081013	0.2532%
1010	2400.00	16X	38.40000	132	2400.00	38.400000	0.0000%
1011	3600.00	16X	57.60000	88	3600.00	57.600000	0.0000%
1100	4800.00	16X	76.80000	66	4800.00	76.800000	0.0000%
1101	7200.00	16X	115.20000	44	7200.00	115.200000	0.0000%
1110	9600.00	16X	153.60000	33	9600.00	153.600000	0.0000%
1111	19200.00	16X	307.20000	16	19800.00	316.800000	3.1250%

Output Freq. AY-5-8126/8126T/8146/8146T-005

REFERENCE FREQUENCY = 4.915200MHz

Divisor Select DCBA	Desired Baud Rate	Clock Factor	Desired Frequency (KHz)	Divisor	Actual Baud Rate	Actual Frequency (KHz)	Deviation
0000	50.00	16X	0.80000	6144	50.00	0.800000	0.0000%
0001	75.00	16X	1.20000	4096	75.00	1.200000	0.0000%
0010	110.00	16X	1.76000	2793	109.93	1.758983	0.0100%
0011	134.50	16X	2.15200	2284	134.50	2.152000	0.0000%
0100	150.00	16X	2.40000	2048	150.00	2.400000	0.0000%
0101	300.00	16X	4.80000	1024	300.00	4.800000	0.0000%
0110	600.00	16X	9.60000	512	600.00	9.600000	0.0000%
0111	1200.00	16X	19.20000	256	1200.00	19.200000	0.0000%
1000	1800.00	16X	28.80000	171	1796.49	28.743859	0.1949%
1001	2000.00	16X	32.00000	154	1994.81	31.916883	0.2597%
1010	2400.00	16X	38.40000	128	2400.00	32.000000	0.0000%
1011	3600.00	16X	57.60000	85	3614.11	57.825882	0.3921%
1100	4800.00	16X	76.80000	64	4800.00	76.800000	0.0000%
1101	7200.00	16X	115.20000	43	7144.19	114.306976	0.7751%
1110	9600.00	16X	153.60000	32	9600.00	153.600000	0.0000%
1111	19200.00	16X	307.20000	16	19200.00	307.200000	0.0000%

GENERAL INSTRUMENT	AY-5-8126/8126T 035107 AY-5-8146/8146T
--------------------	---

TABLE 1 (continued)

Output Frequency AY-5-8126/8126T/8146/8146T-006

REFERENCE FREQUENCY = 5.068800MHz

Divisor Select DCBA	Desired Baud Rate	Clock Factor	Desired Frequency (KHz)	Divisor	Actual Baud Rate	Actual Frequency (KHz)	Deviation
0000	50.00	32X	1.60000	3168	50.00	1.60000	0.0000%
0001	75.00	32X	2.40000	2112	75.00	2.40000	0.0000%
0010	110.00	32X	3.52000	1440	110.00	3.52000	0.0000%
0011	134.50	32X	4.30400	1177	134.56	4.30600	0.0600%
0100	150.00	32X	4.80000	1056	150.00	4.80000	0.0000%
0101	200.00	32X	6.40000	792	200.00	6.40000	0.0000%
0110	300.00	32X	9.60000	528	300.00	9.60000	0.0000%
0111	600.00	32X	19.20000	264	600.00	19.20000	0.0000%
1000	1200.00	32X	38.40000	132	1200.00	38.40000	0.0000%
1001	1800.00	32X	57.60000	88	1800.00	57.60000	0.0000%
1010	2400.00	32X	76.80000	66	2400.00	76.80000	0.0000%
1011	3600.00	32X	115.20000	44	3600.00	115.20000	0.0000%
1100	4800.00	32X	153.60000	33	4800.00	153.60000	0.0000%
1101	7200.00	32X	230.40000	22	7200.00	230.40000	0.0000%
1110	9600.00	32X	307.20000	16	9900.00	316.80000	3.1250%
1111	19200.00	32X	614.40000	8	19800.00	633.60000	3.1250%

Microelectronics Division/Worldwide Sales Offices

Printed in U.S.A. ©8126/8126T/8146/8146T-8403

**NORTH AMERICA**

**UNITED STATES:**  
**MICROELECTRONICS DIVISION**  
**NORTHEAST**—600 West John Street  
 Hicksville, New York 11802  
 Tel: 516-733-3107 TWX 510-221-1866  
 20th Century Plaza  
 Daniel Webster Highway  
 Merrimack, New Hampshire 03054  
 Tel: 603-424-3303 TWX 710-366-0676  
 858 Welch Road  
 Maple Glen, Pennsylvania 19002  
 Tel: 215-643-5326  
**SCOUTHEAST**—7901 4th Street N, Suite 208  
 St. Petersburg, Florida 33702  
 Tel: 813-577-4024 TWX 810-863-0398  
 1616 Forest Drive  
 Annapolis, Maryland 21403  
 Tel: 410-269-6250 TWX 710-867-8566  
**4921C Professional Court**  
 Raleigh, North Carolina 27609  
 Tel: 919-878-7380  
 403 North Cedar Bluff Road, Suite 390  
 Knoxville, Tennessee 37923  
 Tel: 615-690-2223  
**SOUTH CENTRAL**—5520 LBJ Fwy, Suite 310  
 Dallas, Texas 75240  
 Tel: 214-934-1654 TWX 910-860-9259

**CENTRAL**—4524 S. Michigan Street  
 South Bend, Indiana 46614  
 Tel: 219-291-0585 TWX 810-299-2518  
 5820 West 85th Street, Suite 102  
 Indianapolis, Indiana 46278  
 Tel: 317-872-7740 TWX 810-341-3145  
 2355 S. Arlington Hts. Road, Suite 408  
 Arlington Heights, Illinois 60005  
 Tel: 312-981-0040 TWX 910-687-0254  
 32969 Hamilton Court, Suite 210  
 Farmington Hills, Michigan 48018  
 Tel: 313-553-4330 Telex 231193  
 230 North River Ridge Circle, Suite 116  
 Burnsville, Minnesota 55337  
 Tel: 612-894-1840 TWX 910-5760240  
**SOUTHWEST**—201 Standard Street  
 El Segundo, California 90245  
 Tel: 213-322-7745 TWX 910-348-6296  
**NORTHWEST**—3080 Orcutt Street, Suite 230C  
 Santa Clara, California 95051  
 Tel: 408-496-0844 TWX 910-379-0910  
**EUROPE**  
**NORTHERN EUROPE**  
 Times House, Rustip, Middlesex HA4 9LE  
 Tel: 089561 35700 Telex 23272  
 Sandhamnsgatan 67, S-115 28, Stockholm  
 Tel: 081 67 99 25 Telex 17779

**SOUTHERN EUROPE**

5-7 Rue De L'Amiral Courbet  
 94180 Sainte Mande, Paris  
 Tel: (1) 365 72 50, Telex 213073  
 Via Quintiliano 27, 20138 Milano  
 Tel: (02) 5062648 Telex 843-320348  
**CENTRAL EUROPE**  
**GENERAL INSTRUMENT DEUTSCHLAND GmbH**  
 Fraischuetzer 96  
 Postfach 81 03 29  
 8000 Muenchen 81  
 Tel: 0891 556001 Telex 528054  
 5070 Langen Bei Frankfurt A. Main  
 Wilhelm-Lauschner Platz 8, Postf. 1167  
 Tel: (6103) 23 051 Telex 415000  
**ASIA**  
**HONG KONG:**  
**GENERAL INSTRUMENT HONG KONG LTD**  
 39 Connaught Road Central, 3/F San-Tor Building  
 Tel: (51) 434360 Telex 84606  
**JAPAN:**  
**GENERAL INSTRUMENT INTERNATIONAL CORP**  
 Fukuda Bldg, 2th Floor, 1-13 Toranomon 4-Chome  
 Minato-ku, Tokyo 105  
 Tel: 03-437-0281 Telex 2423413

**KOREA:**

**GENERAL INSTRUMENT MICROELECTRONICS**  
 Dong Young Building 903  
 82, 1-KA, Ulgiro, Chung Ku  
 Seoul, South Korea  
 Tel: (2) 777-3848, Telex: K 26680 DAEHO  
**SINGAPORE:**  
**GENERAL INSTRUMENT HONG KONG LTD.**  
 Suite 1714, Shaw Centre  
 1 Scotts Road, Singapore 0922  
 Tel: (65) 235 9030, Telex: GISPORE RS 24424  
**TAIWAN:**  
**GENERAL INSTRUMENT**  
**MICROELECTRONICS TAIWAN**  
 77 Pao Chiao Road, Hsin Tien  
 Taipei, Taiwan  
 Tel: (02) 914-6234, Telex: 785-3111

**GENERAL INSTRUMENT**

The information in this publication, including schematics, is suggestive only. General Instrument Corporation does not warrant, nor will be responsible or liable for, (a) the accuracy of such information, (b) its use or (c) its infringement of patents or other rights of third parties.